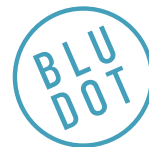
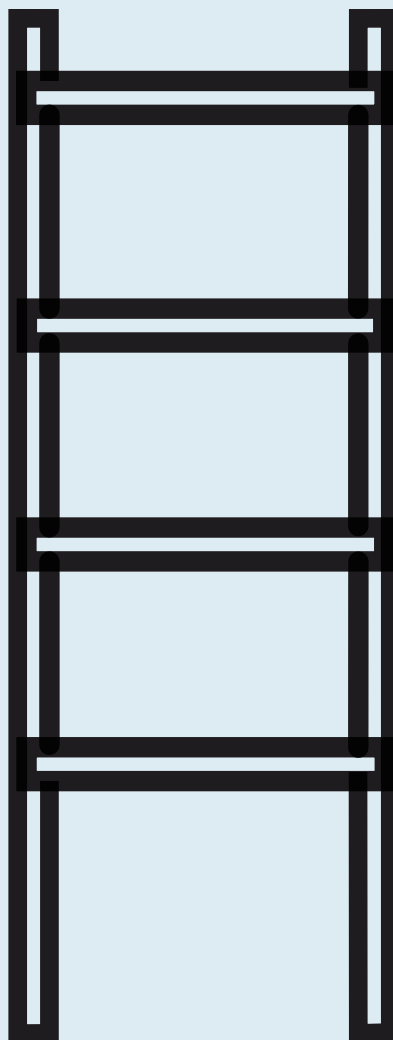


# Woodsy Storage Ladder



DESIGNED IN 2021

ASSEMBLY NOTES | REV 00



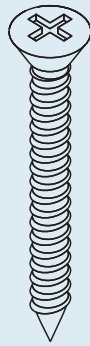
NEED A HAND?

Contact us at [service@bludot.com](mailto:service@bludot.com) or  
**844.425.8368** for assistance.

@BLUDOT

We design all our pieces in our Minneapolis studio. Follow  
along on Instagram for some sneak peeks into the process.

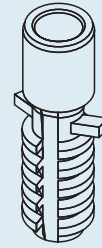
# Parts & Hardware



QTY

2

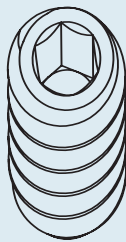
Pt. 1405



QTY

2

Pt. 8036



QTY

2

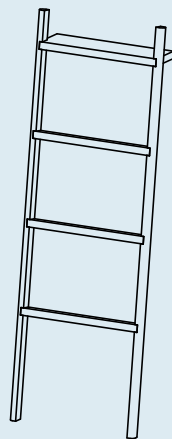
Pt. 1114



QTY

1

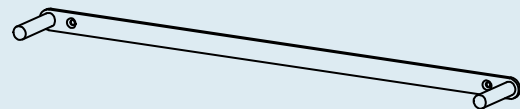
Pt. 9005



QTY

1

Ladder



QTY

1

Wall Mount

# Step 01

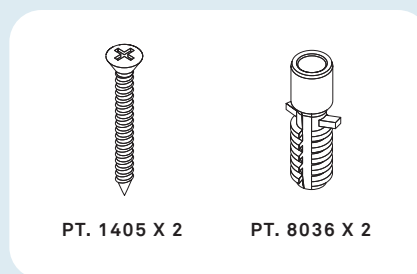
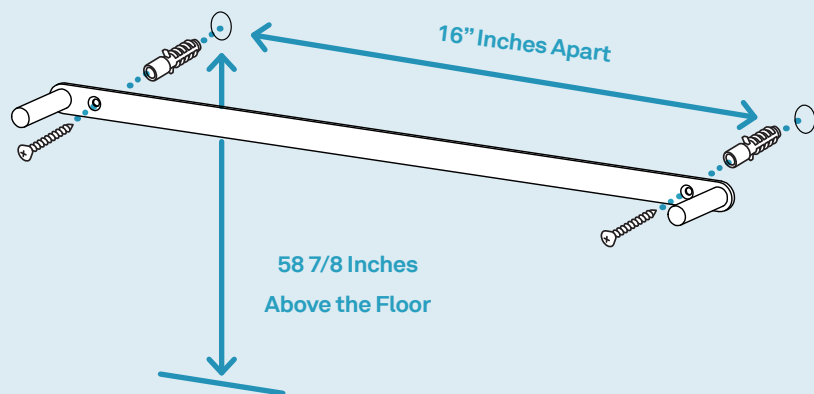
## INSTALLING THE WALL MOUNT.

Hardware is included for installation. Please consult your local hardware professional to determine the hardware best suited for your wall type.

Use the wall mount as a template to mark the holes. With a level and a measuring device, be sure the holes are **58 7/8"** above the floor.

If the mounting location is not positioned on a stud, drill a **1/4"** hole in the marked location and insert anchor as shown. If the mounting location is located on a stud, this step of installing an anchor may be skipped. Instead, drill a **1/8"** pilot hole in the marked location.

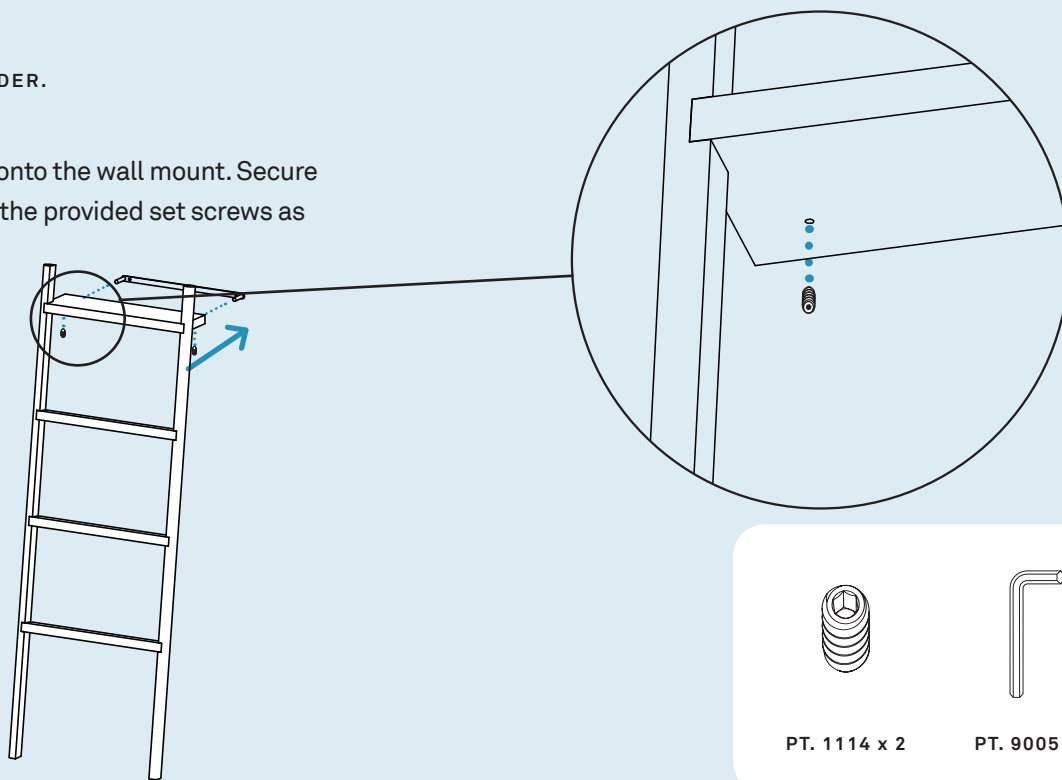
Attach the wall mount to the wall using the included hardware as shown.



# Step 02

## INSTALL THE LADDER.

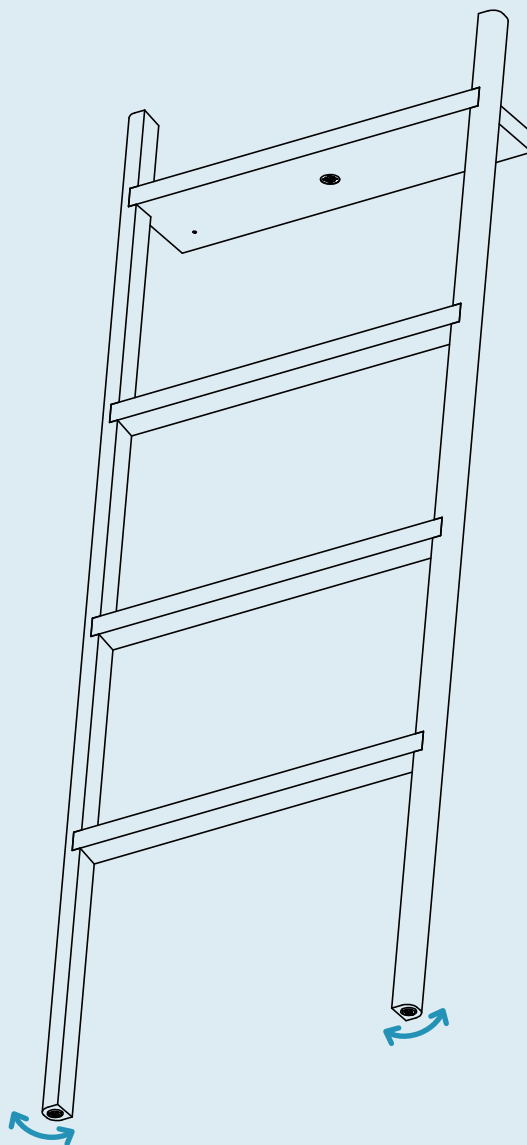
Slide the ladder onto the wall mount. Secure the ladder using the provided set screws as shown.



## Step 03

### LEVEL THE LADDER.

If the ladder is not firmly seated on the ground, adjust the glides on the bottom of each leg to the desired position.



## Additional Information

### CLEAN

Clean with a slightly damp, soft cloth. To remove dirt and fingerprints, use a quality cleaner formulated for wood furniture. Wipe completely dry with a soft cloth in the direction of the wood grain.

