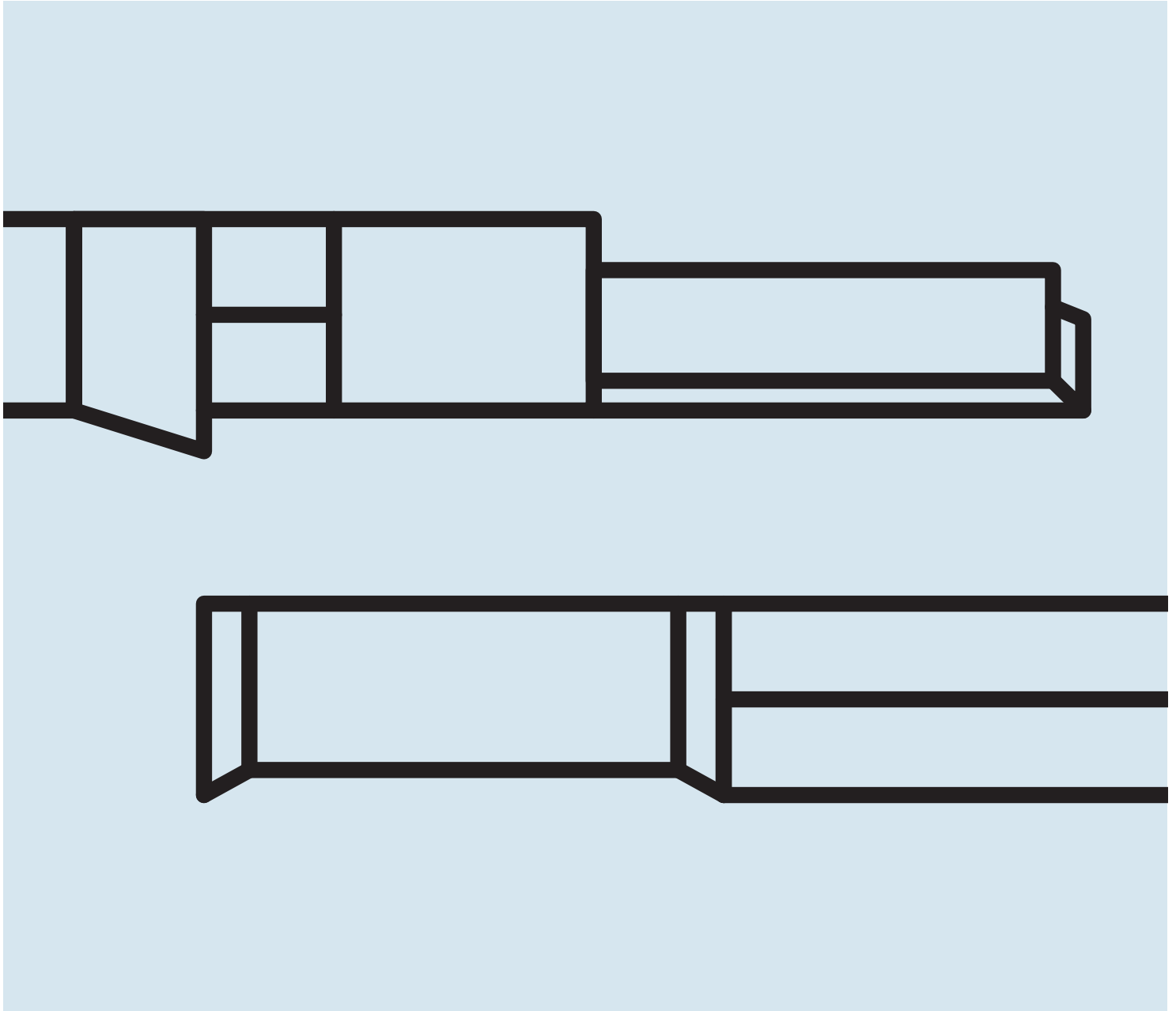


# Wonderwall Shelf



DESIGNED IN 2017

ASSEMBLY NOTES | REV 00



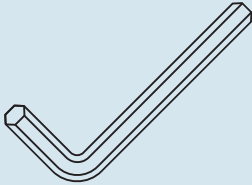
## AT LEAST APPEAR TO BE WELL-READ.

The powder coated steel shelf mounts to your wall, while the magnetically attached back panel provides the polish of a custom built unit.

## NEED A HAND?

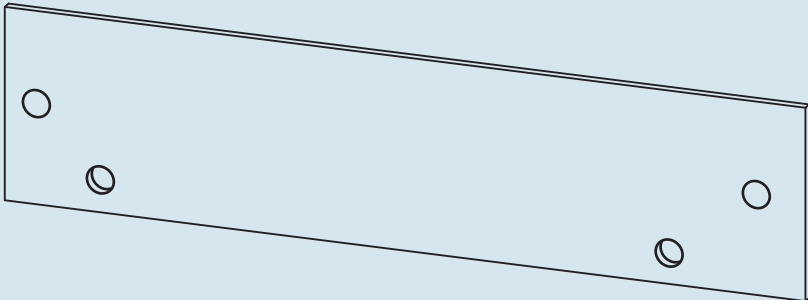
Contact us at [service@bludot.com](mailto:service@bludot.com) or **844.425.8368** for assistance.

# Parts & Hardware



QTY \_\_\_\_\_ 1

Pt. 9004



QTY \_\_\_\_\_ 1

Back Panel



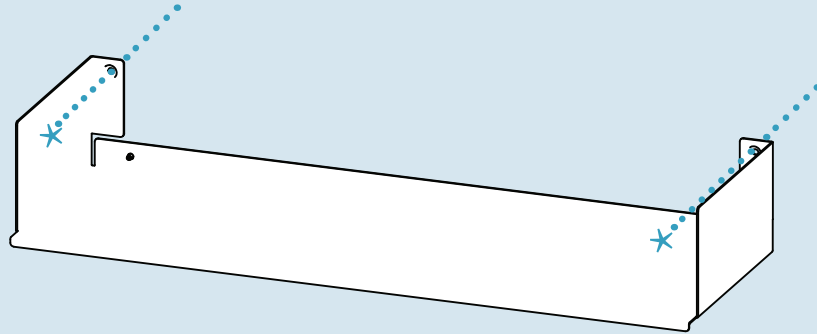
QTY \_\_\_\_\_ 1

Frame

# Step 01

## ATTACH FRAME.

Attach frame to wall as shown.\* A bubble level will help ensure a level frame.

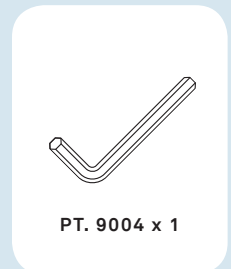
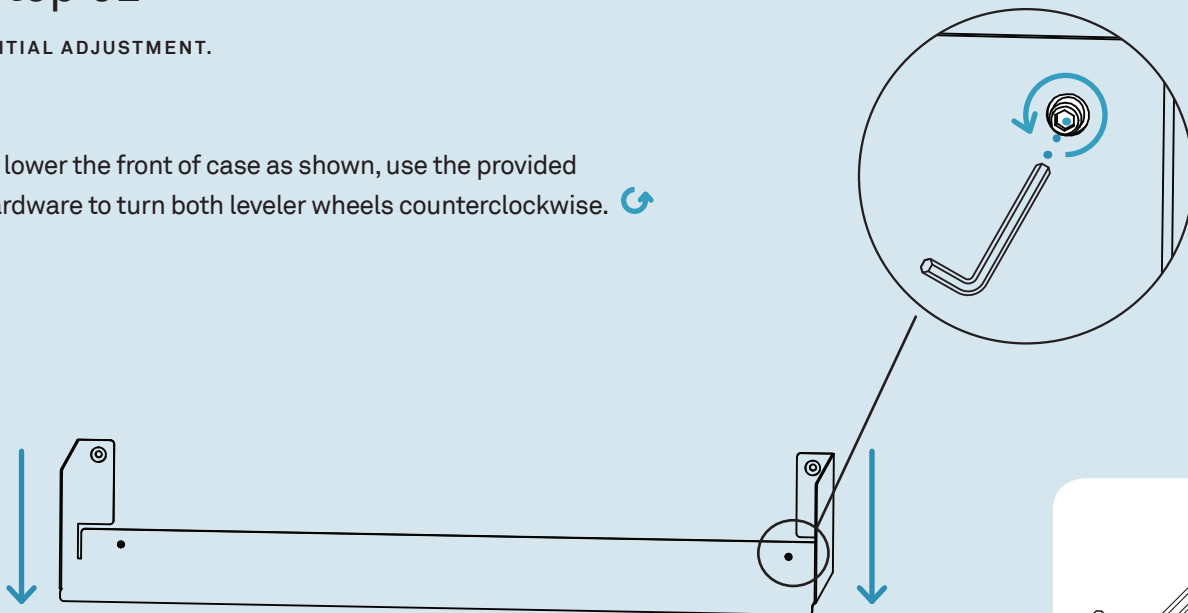


\* It is recommended that you consult with a professional to determine the method and hardware required for installation.

# Step 02

## INITIAL ADJUSTMENT.

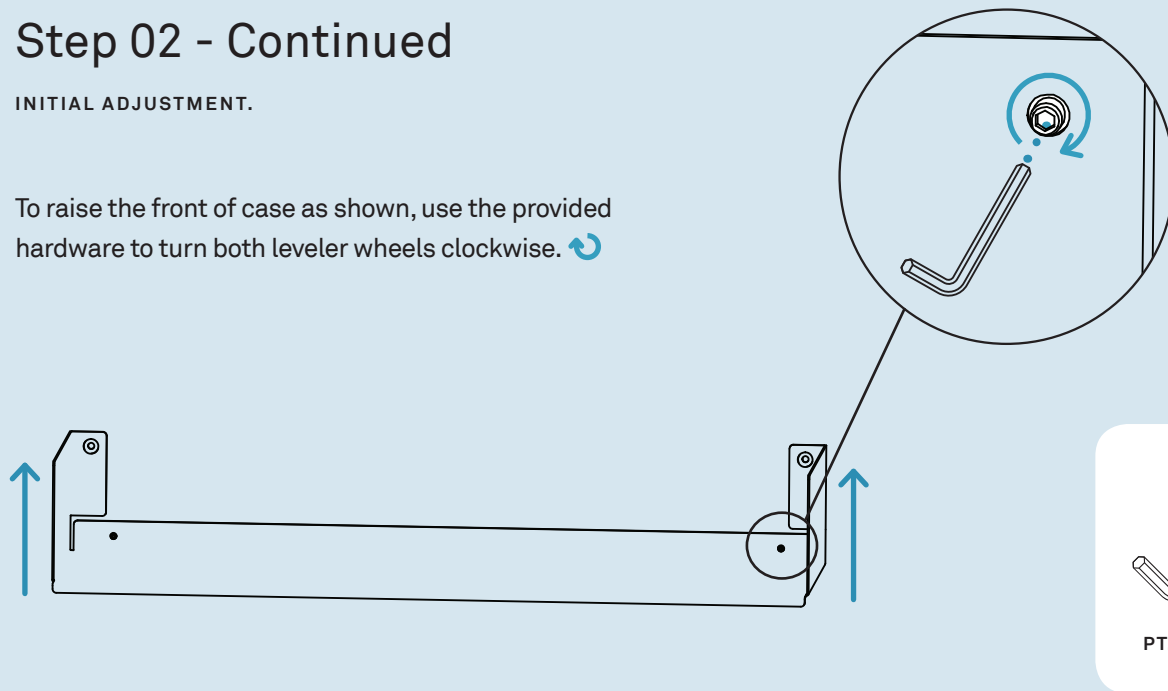
To lower the front of case as shown, use the provided hardware to turn both leveler wheels counterclockwise. ↻



## Step 02 - Continued

### INITIAL ADJUSTMENT.

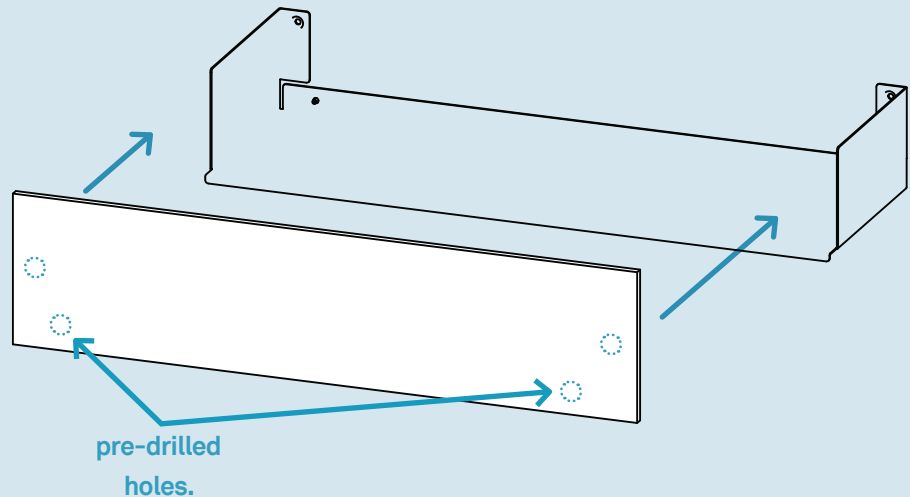
To raise the front of case as shown, use the provided hardware to turn both leveler wheels clockwise. ↻



## Step 03

### ATTACH THE BACK PANEL.

Align the magnetic back panel as shown, holes facing the wall, and slide into place.



## Additional Information

### CLEAN

Clean with a slightly damp, soft cloth. To remove dirt and fingerprints, use a quality cleaner formulate for wood furniture. Wipe completely dry with a soft cloth in the direction of the wood grain.