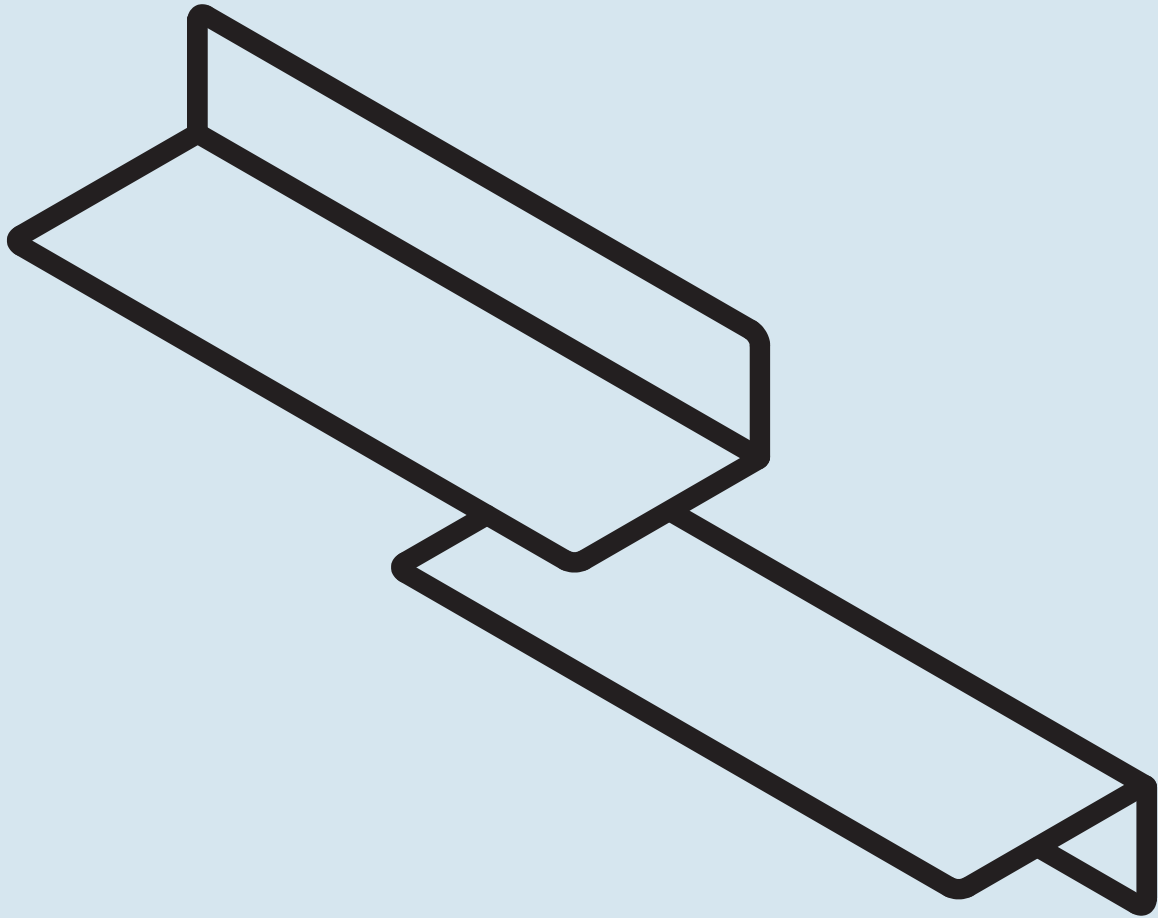
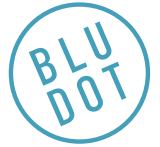


Welf Wall Shelf

DESIGNED IN 2015

ASSEMBLY NOTES | REV 00



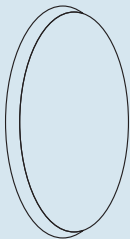
FLOATER.

This simple steel shelf turns any spare wall space into a minimal and attractive storage solution.

NEED A HAND?

Contact us at service@bludot.com or **844.425.8368** for assistance.

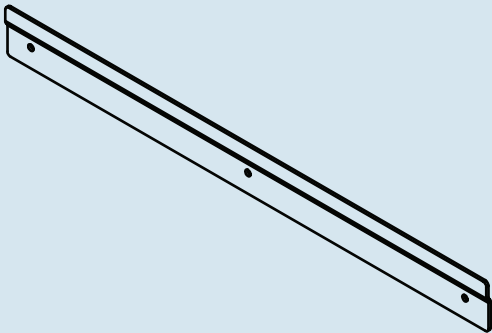
Parts & Hardware



QTY

2

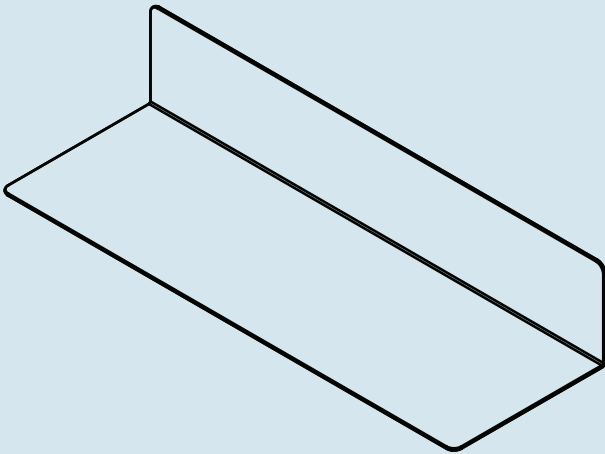
PT. 8035



QTY

1

Wall Bracket



QTY

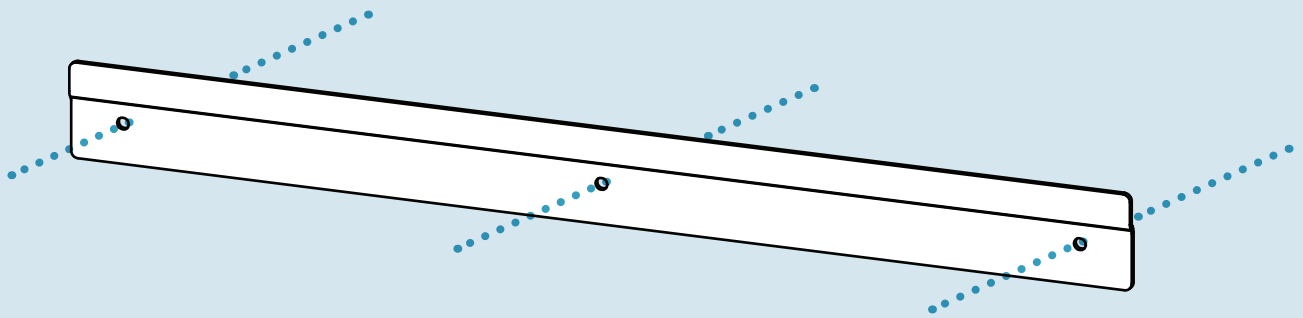
1

Shelf

Step 01

INSTALLING THE WALL CLEAT.

Install the wall cleat on the wall at the desired height. Use a bubble level to help align the bracket horizontally.



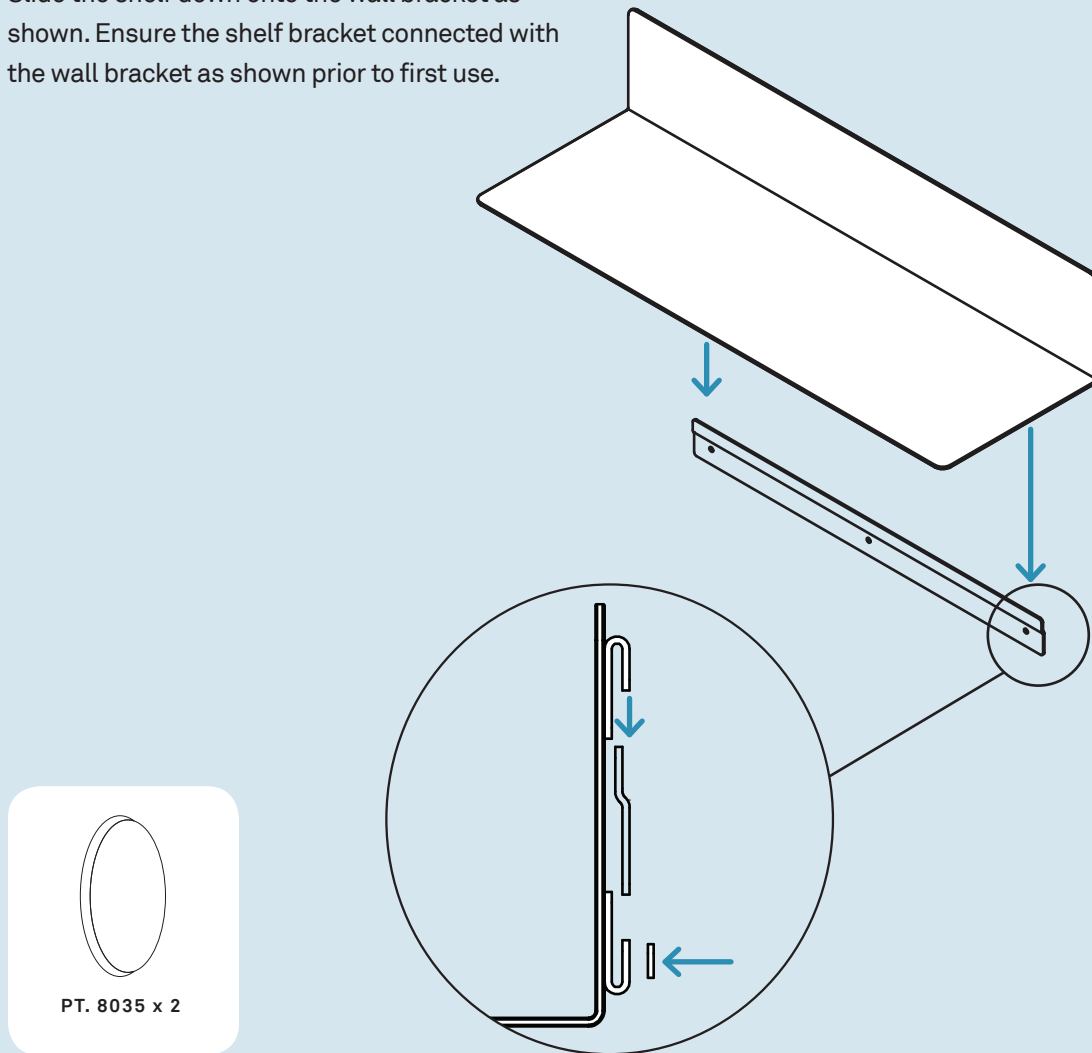
Note: Hardware not included. To determine the hardware best suited for your type of wall, consult your local hardware professional.

Step 02

ATTACHING THE SHELF.

Determine desired shelf orientation. Apply the provided cork pads to the bottom cleat on the back of shelf.

Slide the shelf down onto the wall bracket as shown. Ensure the shelf bracket connected with the wall bracket as shown prior to first use.



Additional Information

CLEAN

Clean with a slightly damp, soft cloth. To remove dirt and fingerprints, use a quality cleaner formulate for wood furniture. Wipe completely dry with a soft cloth in the direction of the wood grain.

