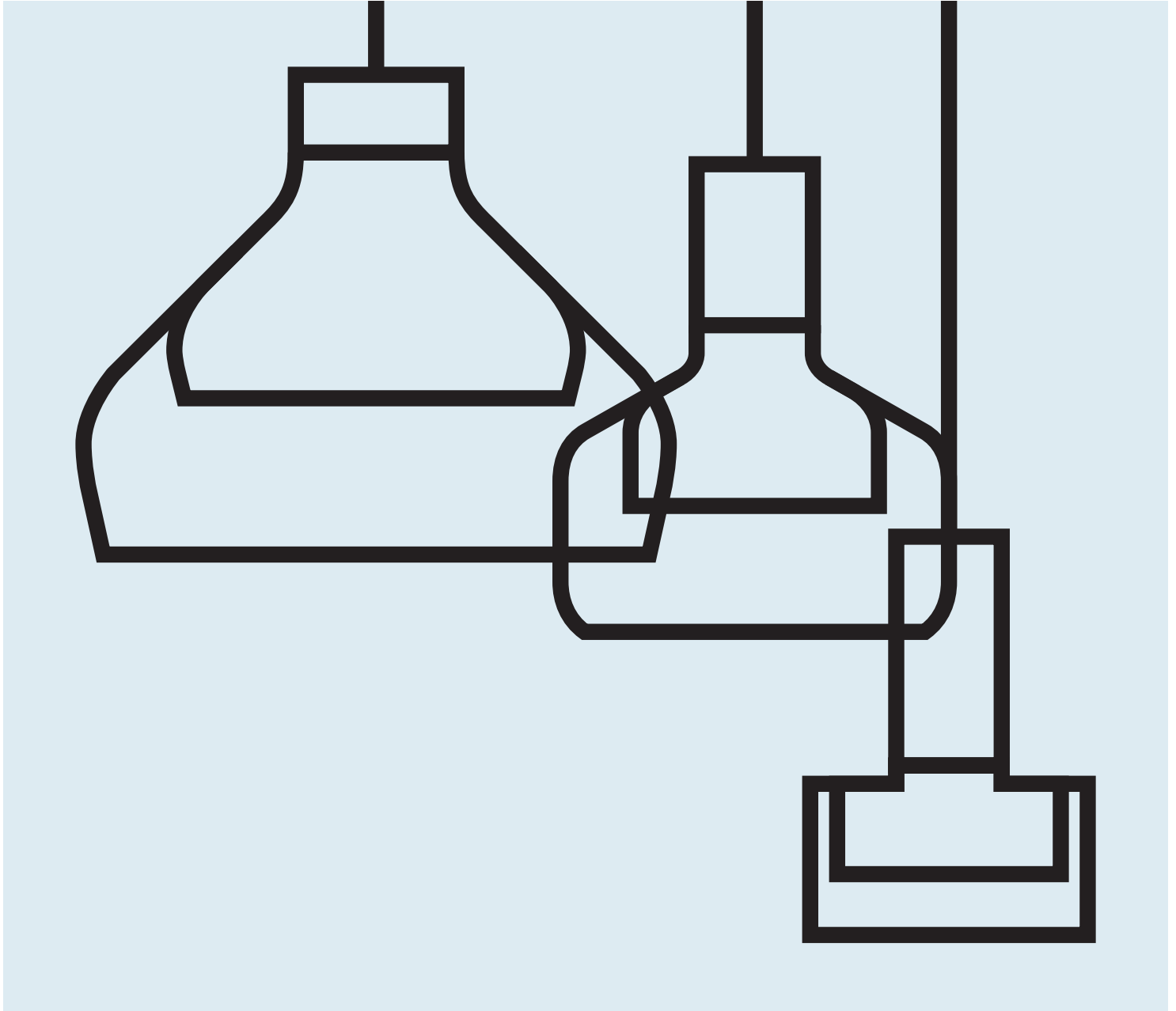
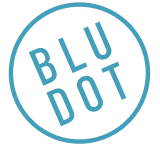


Trace Pendant

DESIGNED IN 2013

ASSEMBLY NOTES | REV 00



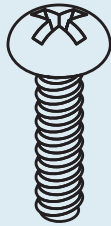
NEED A HAND?

Contact us at service@bludot.com or **844.425.8368** for assistance.

@BLUDOT

We design all our pieces in our Minneapolis studio. Follow along on Instagram for some sneak peeks into the process.

Parts & Hardware



QTY

2

PT. 1060

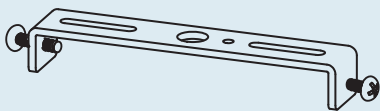


QTY

3

PT. 8021

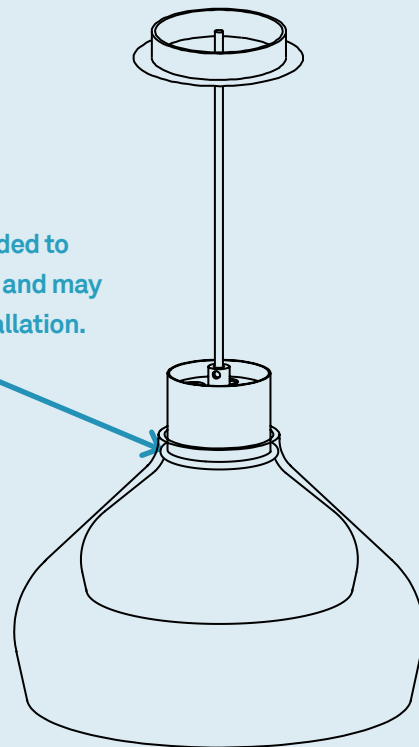
A rubber ring is included to protect the glass shade and may be removed after installation.



QTY

1

Mounting Bracket



QTY

1

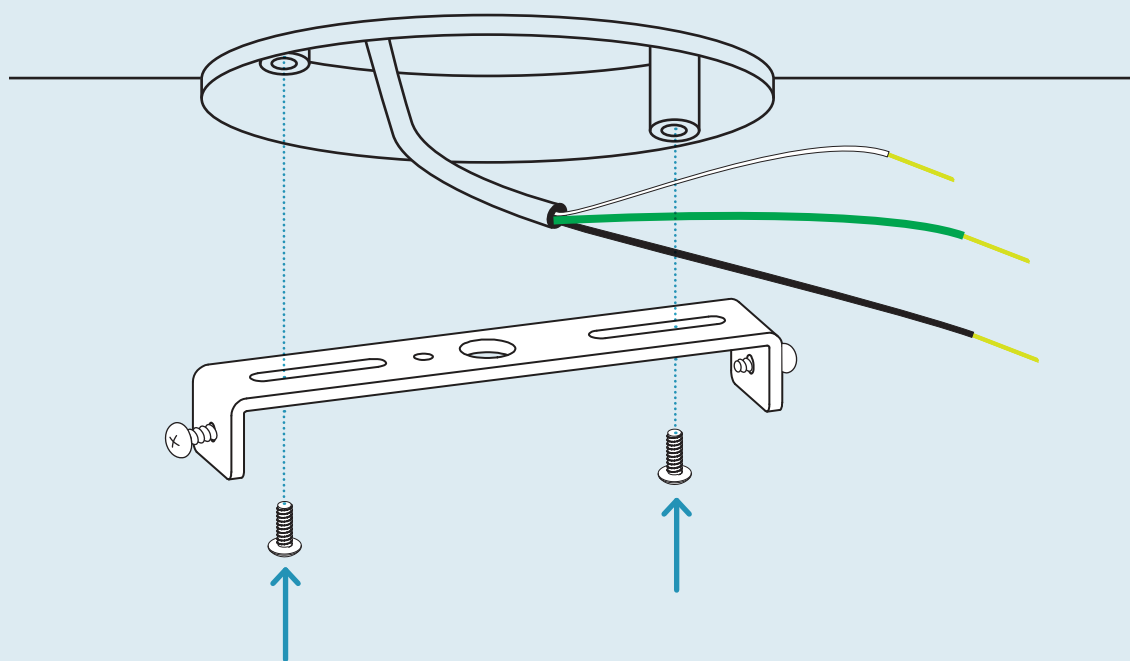
Pendant

NOTE: Electricity is dangerous. It is recommended to hire a professional electrician to install your lamp.

Step 01

ATTACH MOUNTING BRACKET.

1. Disconnect power.
2. Attach mounting bracket to ceiling electrical box as shown using the provided hardware.

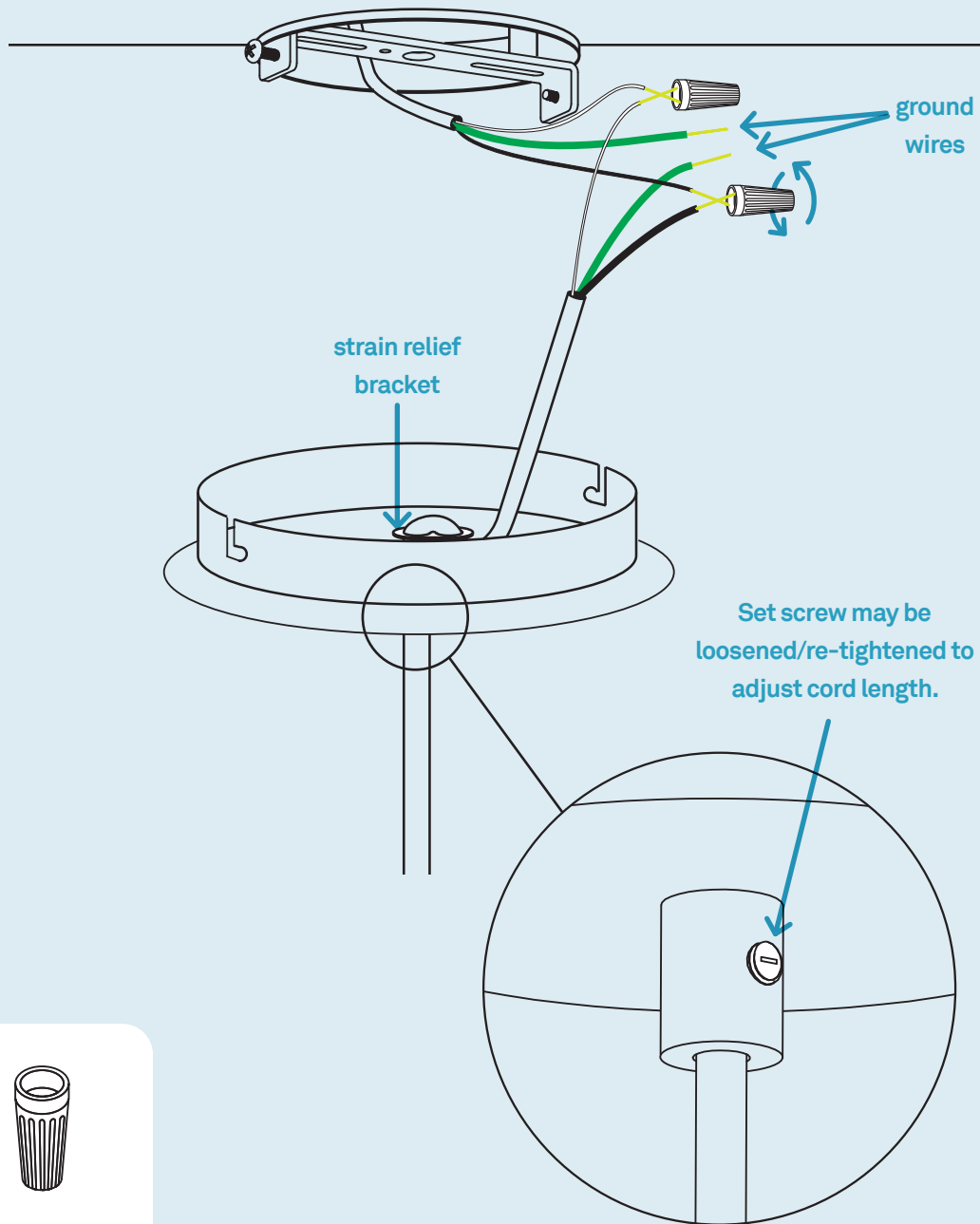


PT. 1060 x 2

Step 02

HARDWIRE PENDANT.

1. Cut pendant cord to desired length, allow 4" above canopy for wiring.
2. Twist matching copper wires together.
 - white to white
 - black to black

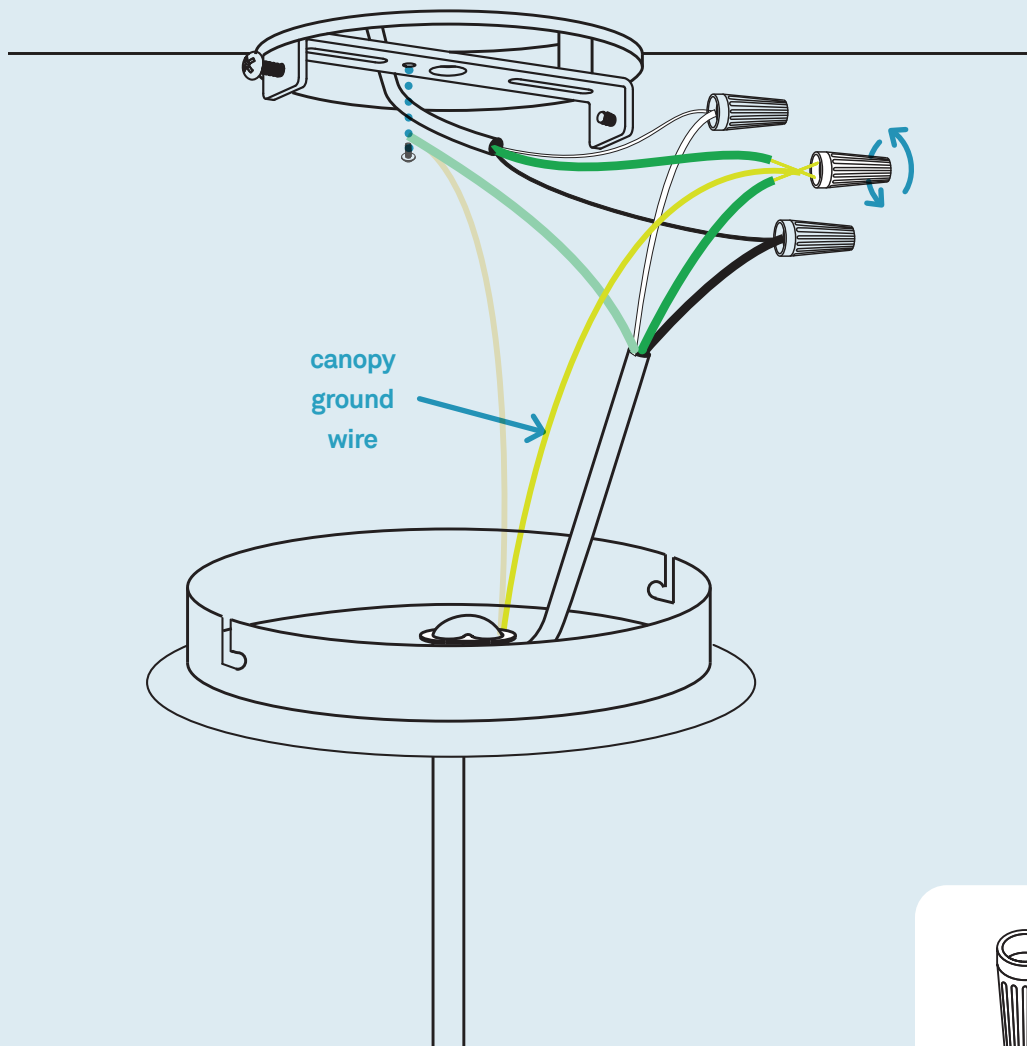


PT. 8021 x 2

Step 03

GROUND PENDANT.

1. Locate bare copper wire inside pendant canopy.
2. Twist matching copper wires together in addition to bare canopy wire.
3. If no green wire (ground wire) is present in electrical box, wrap wire around pre-attached screw on mounting bracket and tighten into place.

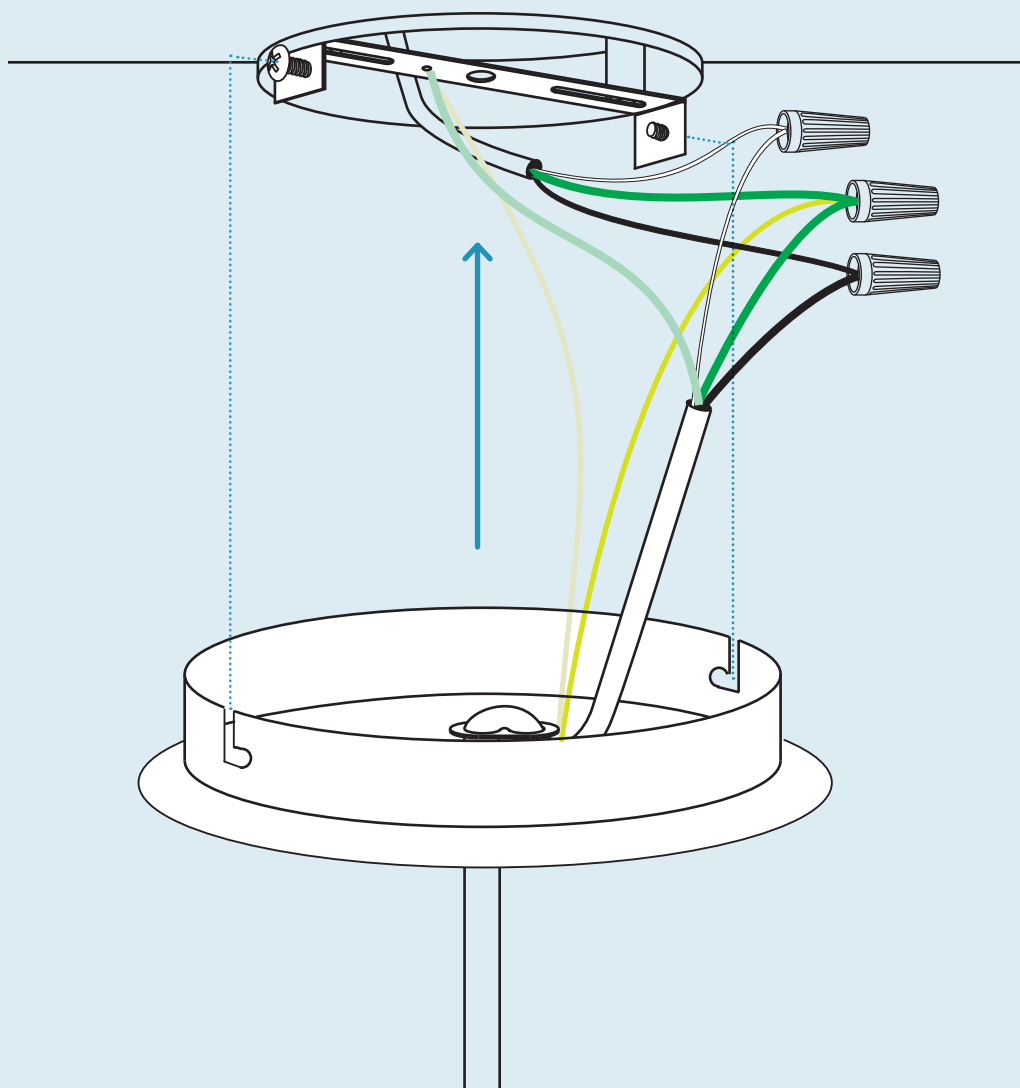


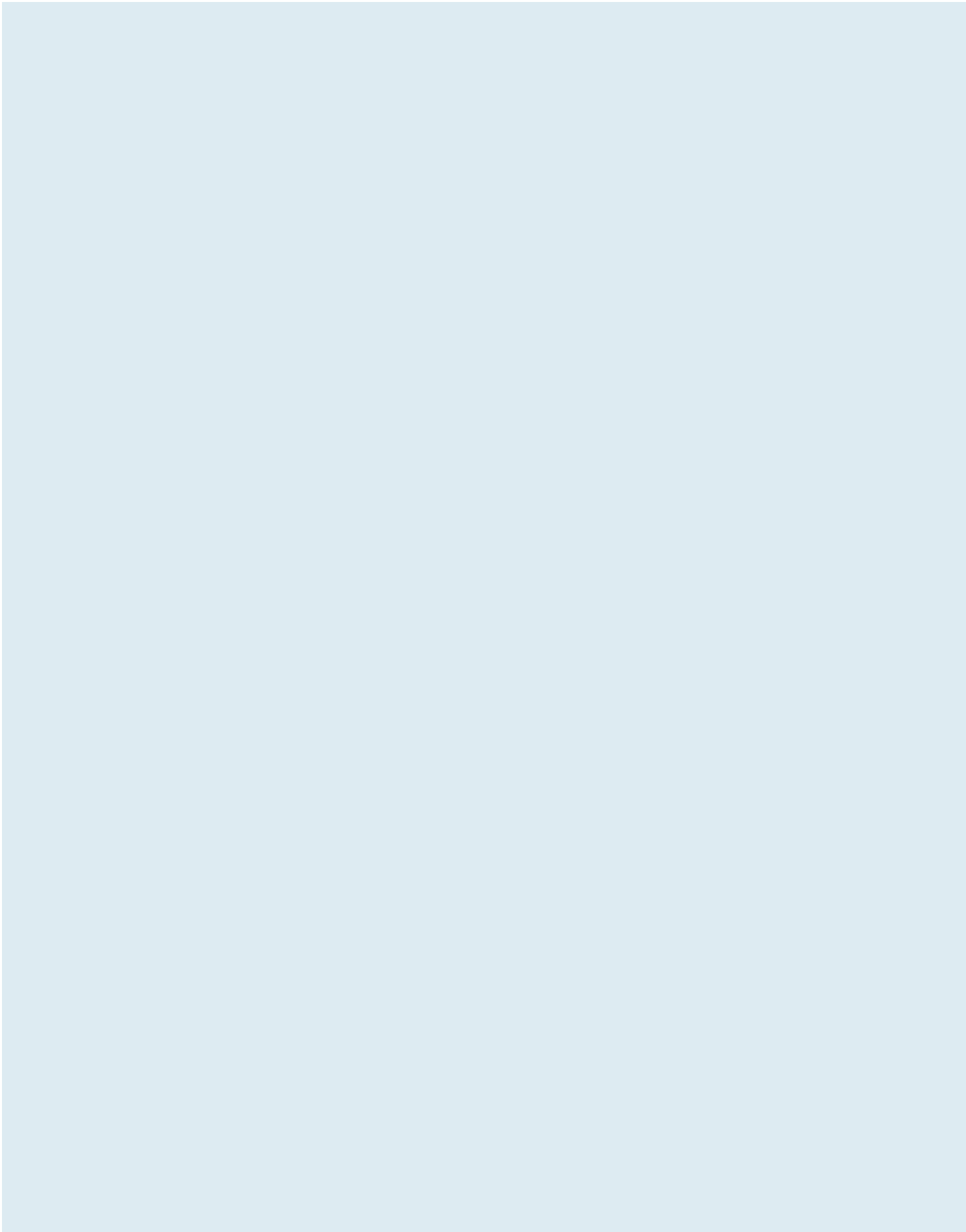
PT. 8021 x 1

Step 04

ATTACH CANOPY TO BRACKET.

1. Align pre-attached screws on mounting bracket with side canopy slots.
2. Lift the canopy upwards and twist into place. Tighten the pre-attached screws to secure canopy and mounting bracket.
3. Re-connect power.





Additional Information

NOTE

This unit is meant for indoor use in dry locations only.

Trace 2 and Trace 3 models use an E12 bulb with a maximum wattage of 40W or an equivalent CFL or LED bulb.

Trace 4 model uses an E26 bulb with a maximum wattage of 60W or an equivalent CFL or LED bulb.

CLEAN

Clean surfaces with a dry soft cloth or sponge.

