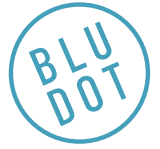
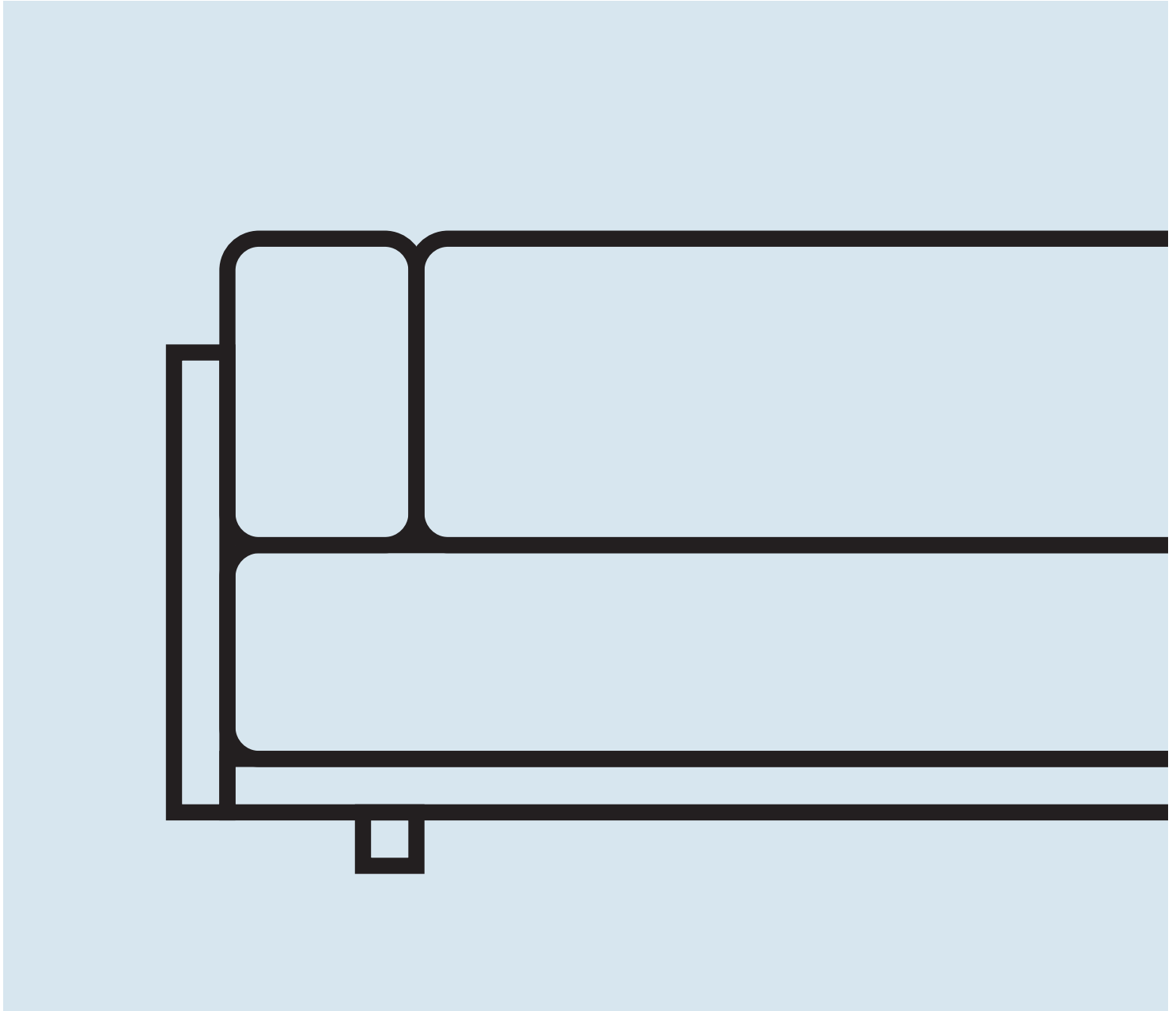


Sunday Sofa Collection



DESIGNED IN 2016

ASSEMBLY NOTES | REV 00



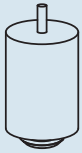
SLOTH GETS A BAD RAP.

Sure, you can multitask on Sunday. But why, when you can just melt instead?

NEED A HAND?

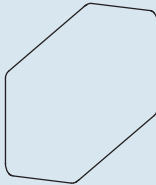
Contact us at service@bludot.com or **844.425.8368** for assistance.

Parts & Hardware



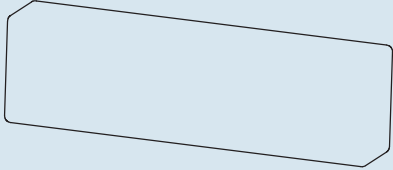
QTY 6

Foot



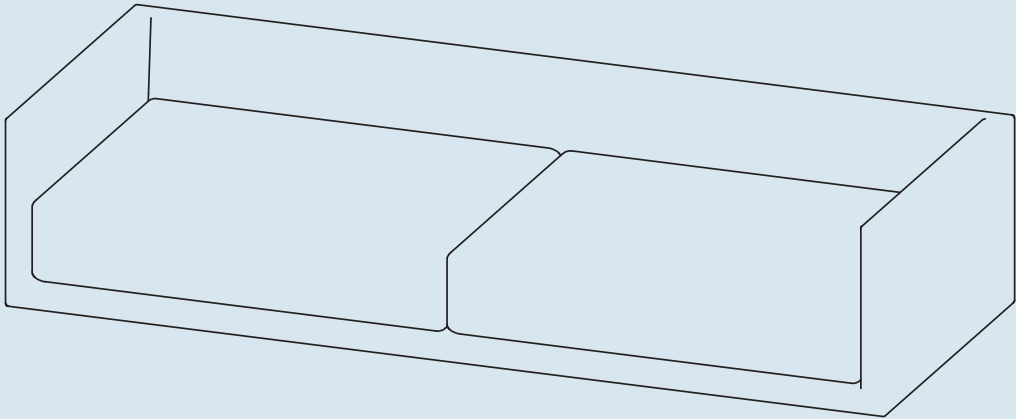
QTY 2

Side cushion



QTY 2

Rear cushion



QTY 1

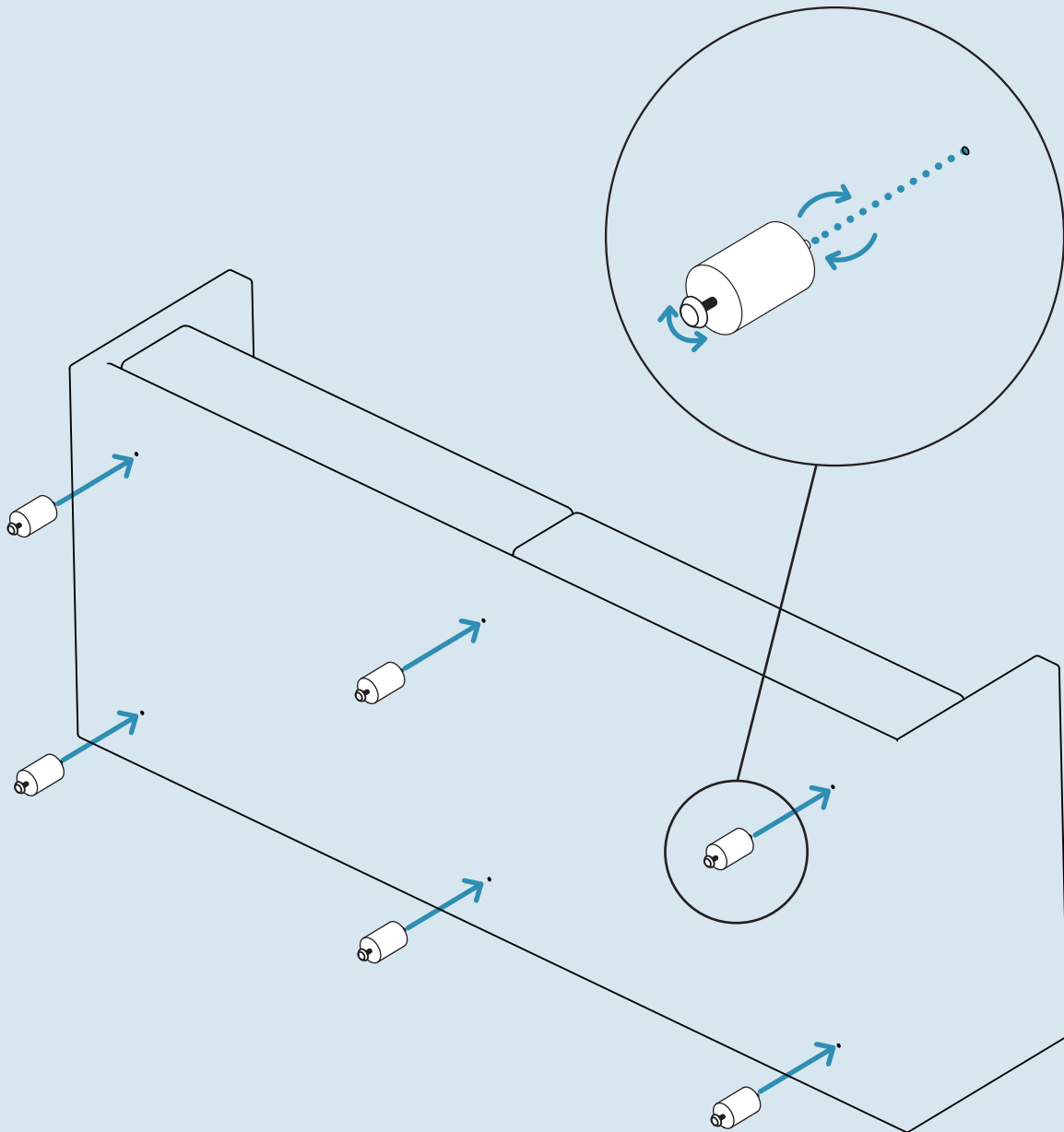
Sofa

Step 01

ATTACH FEET.

Attach adjustable feet as shown.

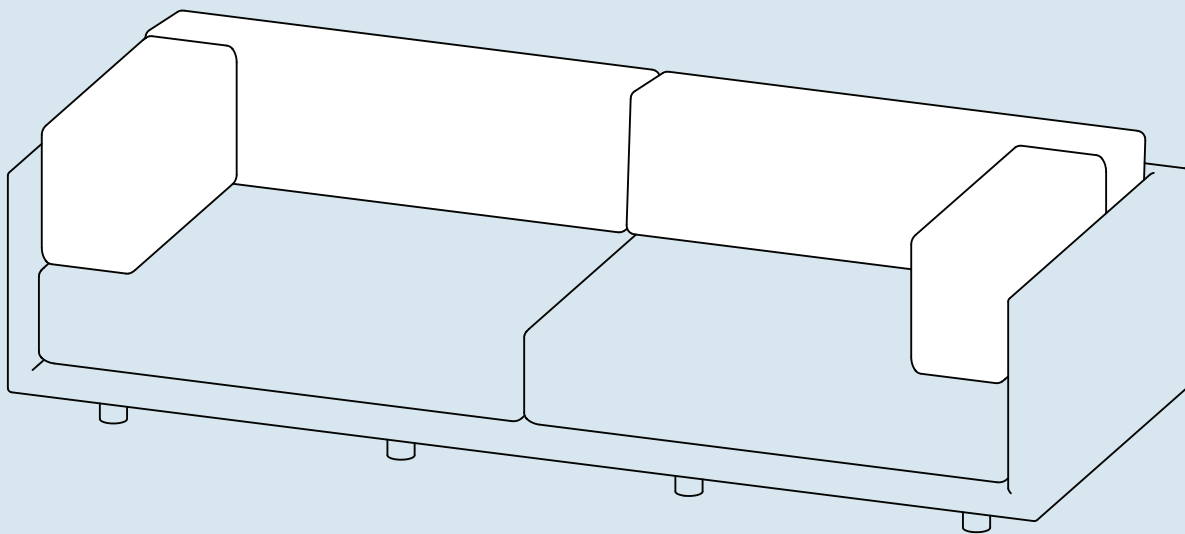
Note: After the feet have been attached, have a second person help lift and bring the sofa upright in order to prevent foot damage.



Step 02

PLACE CUSHIONS.

Place cushions as shown.



Additional Information

CLEAN

Vacuum your upholstery regularly.

SPILLS

Act quickly with spills. Absorb the spill with a clean white cloth or paper towel. Never rub the surface. Do not use water or other liquids to clean, as they may stain the fabric. Consult a commercial cleaning specialist for removal of stubborn stains.

AVOID

Keep upholstery out of direct sunlight and away from heat sources; excessive exposure to sunlight may fade the color of the upholstery. Avoid placing heavy or sharp objects on the furniture surface for long periods of time; this can cause permanent indentations in the fabric. For snags in the fabric, tuck loose threads into fabric or carefully push to reverse side. Never pull out or cut off loose threads.

