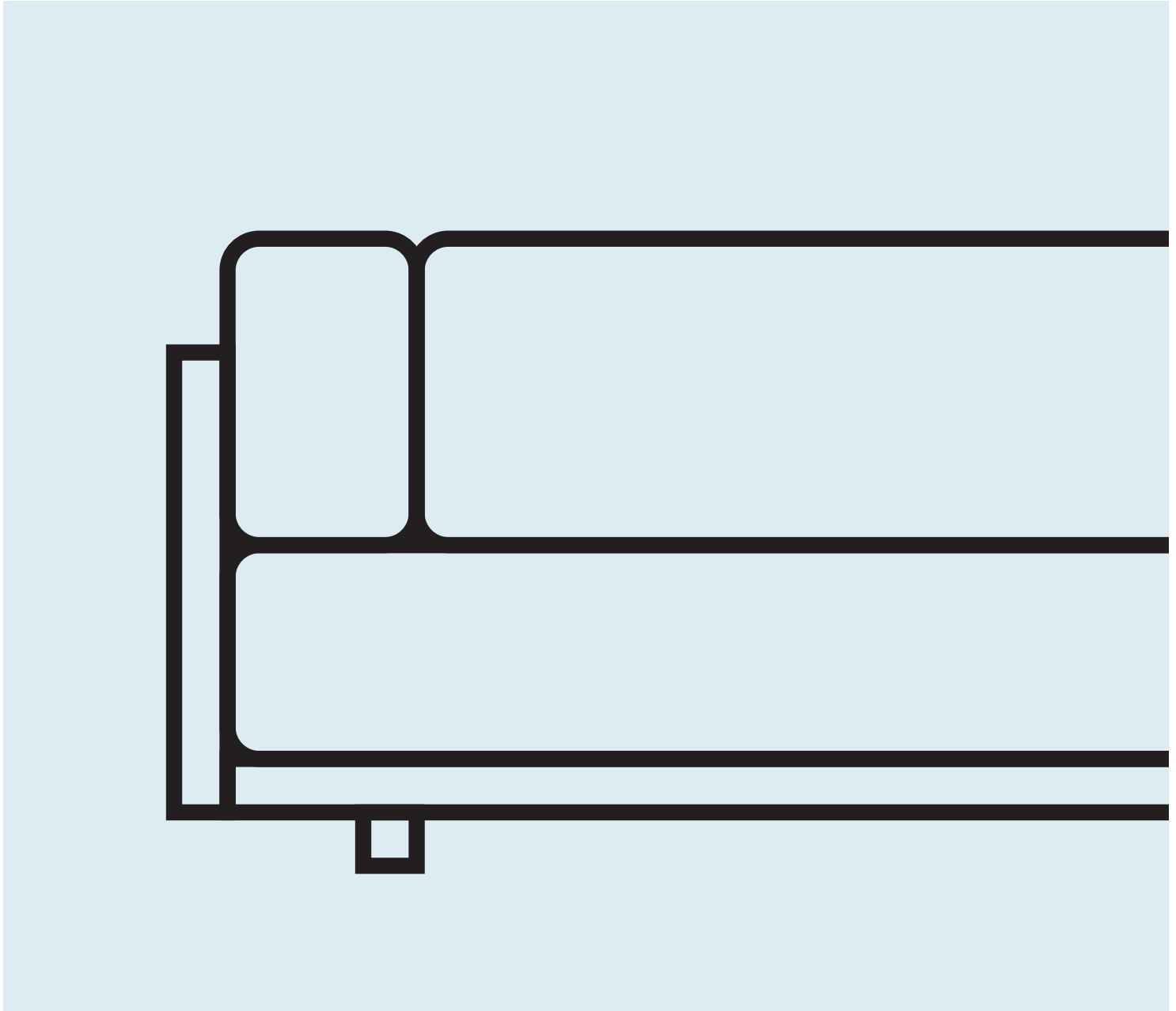


Sunday Sectional Sofa



DESIGNED IN 2016

ASSEMBLY NOTES | REV 01



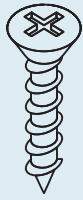
SLOTH GETS A BAD RAP.

Sure, you can multitask on Sunday. But why, when you can just melt instead?

NEED A HAND?

Contact us at service@bludot.com or **844.425.8368** for assistance.

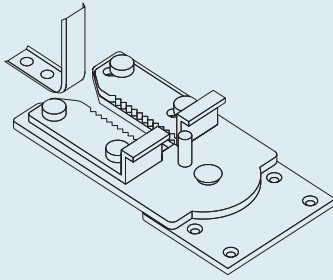
Parts & Hardware



QTY

6

Pt. 1216



QTY

1

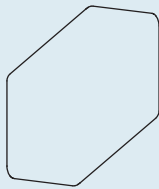
Pt. 8034



QTY

8

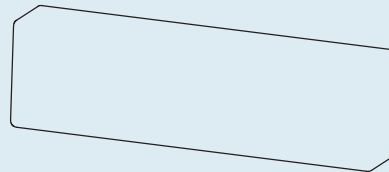
Foot*



QTY

1

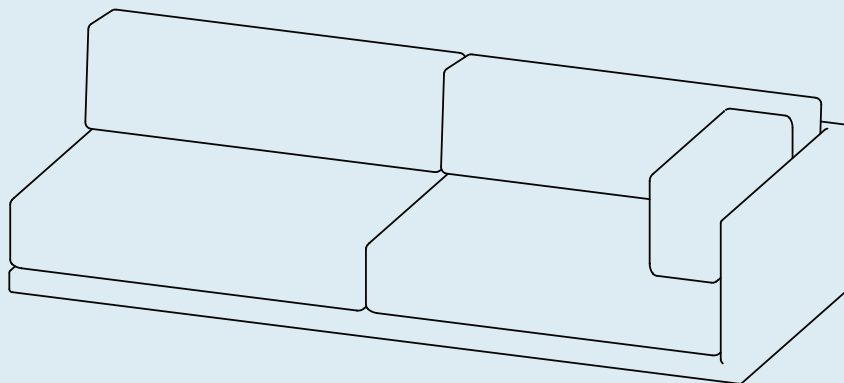
Side cushion*



QTY

2

Rear cushion*



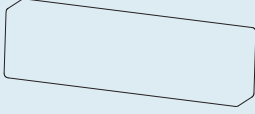
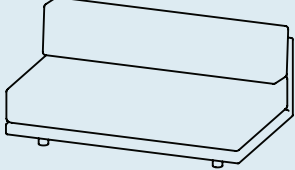
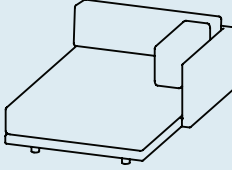
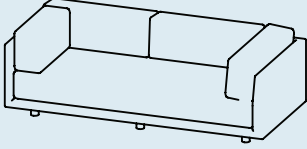
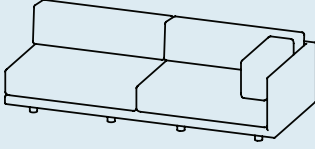
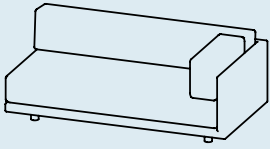


QTY

1

Sectional

*foot and cushion quantity vary based on product. Refer to page 2 for part breakdown.

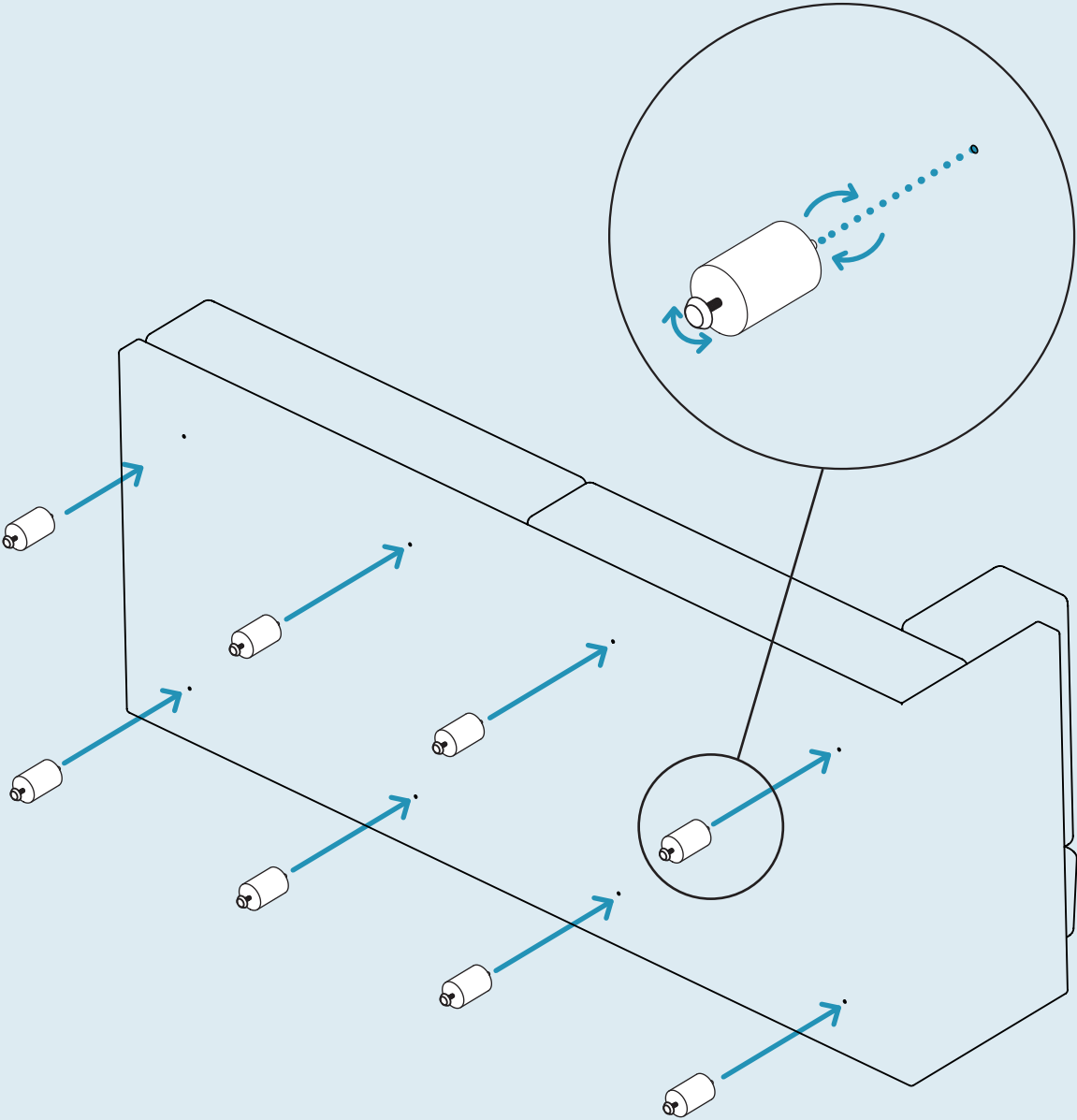
	 Foot	 Side cushion	 Rear cushion
 Armless Sofa	4	∅	1
 Chaise	6	1	1
 Corner Sofa	6	2	2
 One Arm Sofa	8	1	2
 Small One Arm Sofa	4	1	1

Step 01

ATTACH FEET.

Attach adjustable feet as shown.

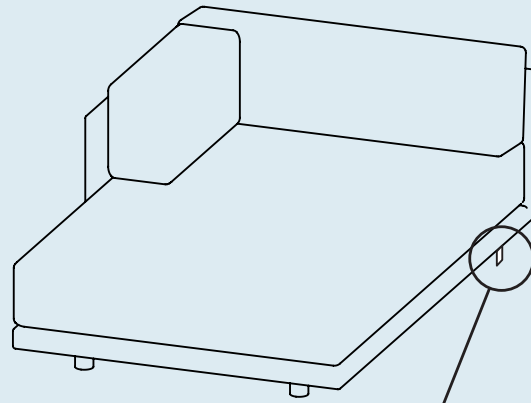
Note: After the feet have been attached, have a second person help lift and bring the sofa upright in order to prevent foot damage.



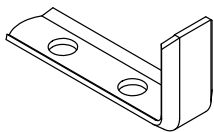
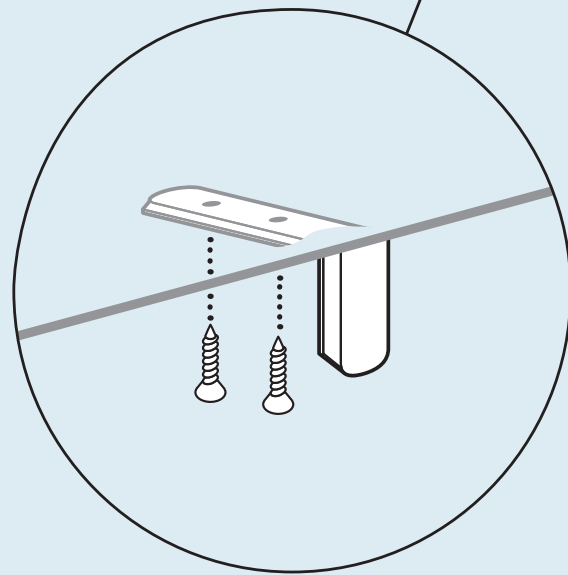
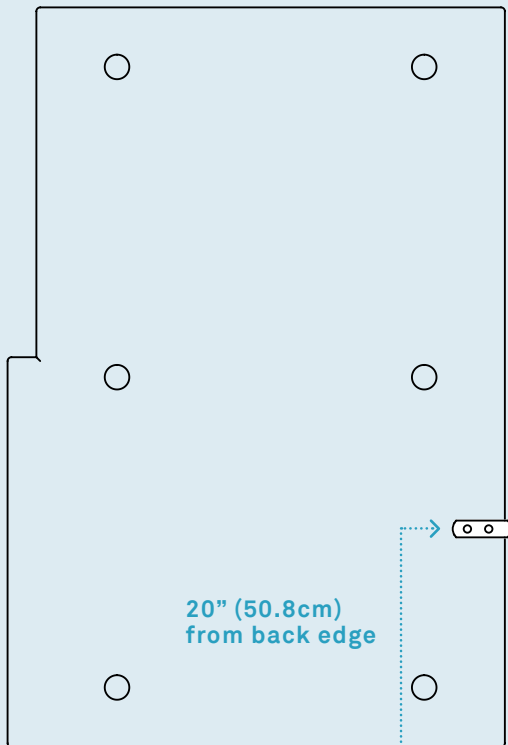
Step 02

ATTACH MALE SECTIONAL CONNECTOR.

This hardware allows proper alignment of the sectional sofas and holds them in place during use.



Underside of Chaise



Pt. 8034 x 1

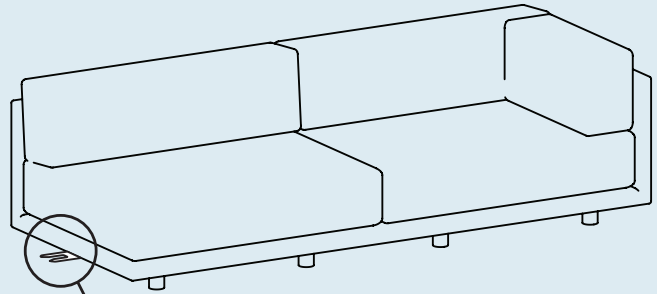


PT. 1216 x 2

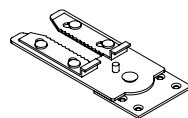
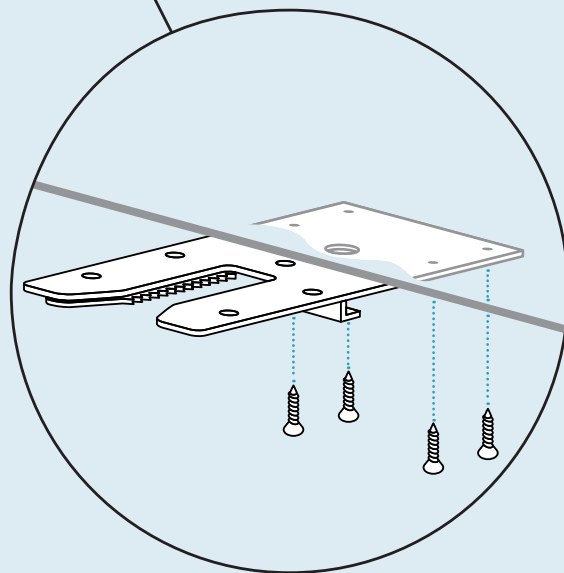
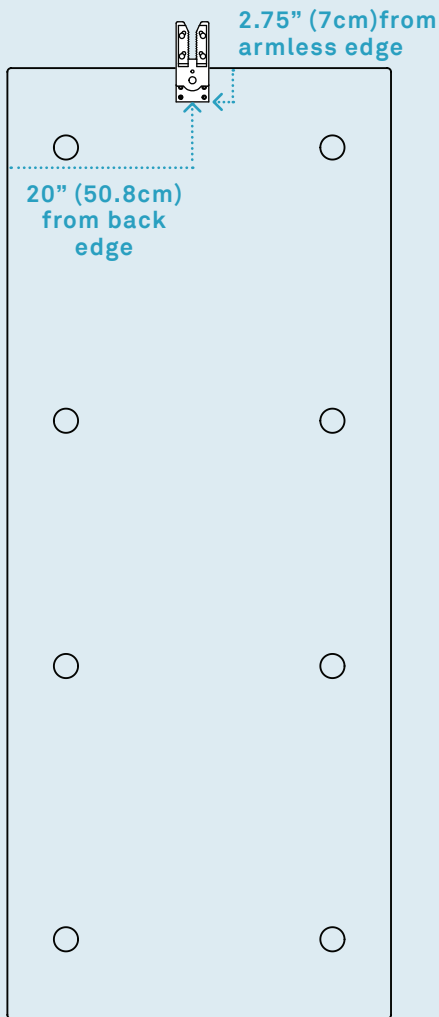
Step 03

ATTACH FEMALE SECTIONAL CONNECTOR.

This hardware allows proper alignment of the sectional sofas and holds them in place during use.



Underside of One Arm Sofa



Pt. 8034 x 1

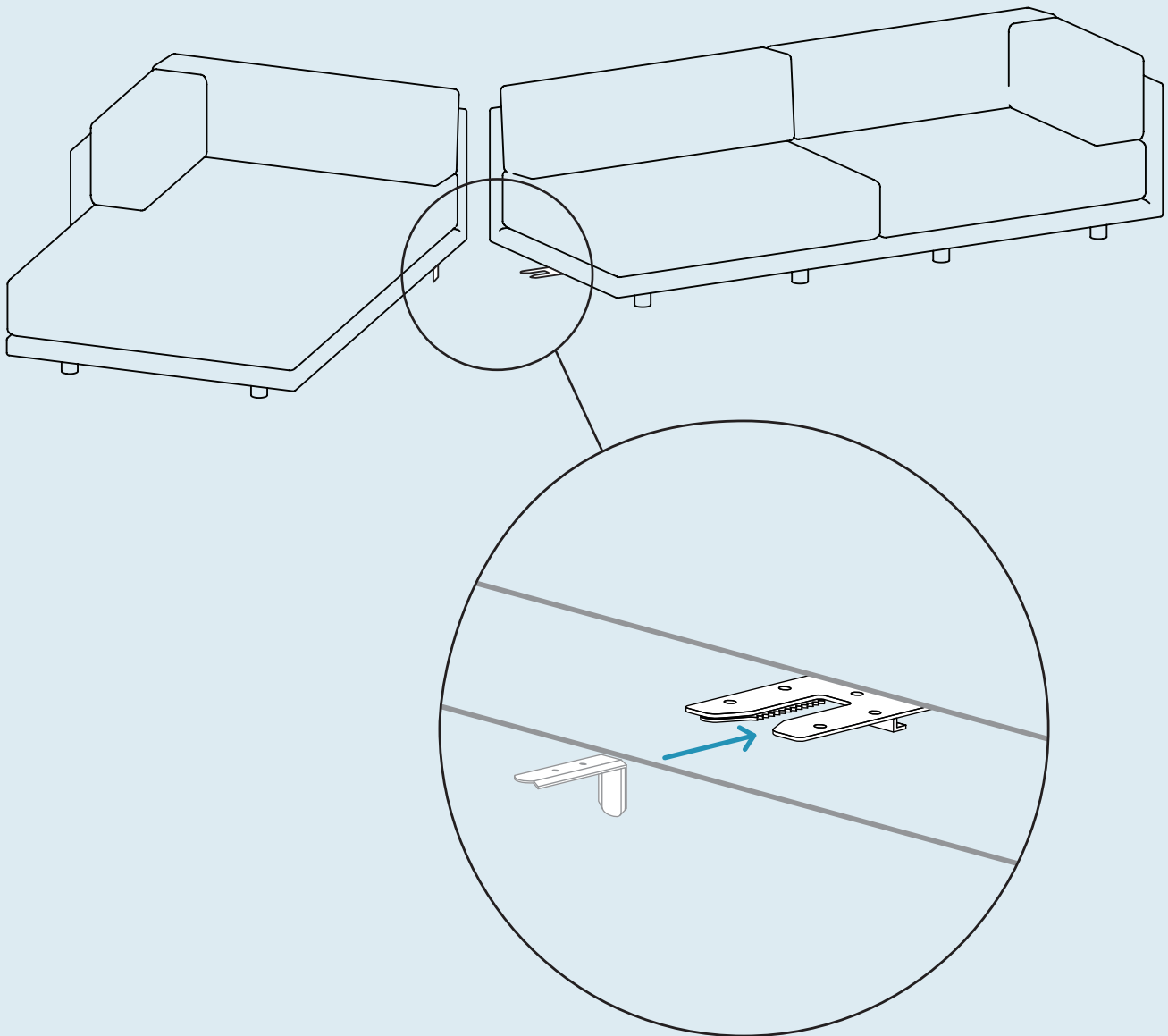


PT. 1216 x 4

Step 04

CONNECT SECTIONAL SOFAS.

With back sides aligned, carefully slide sectional sofas together. Make sure sectional connector latches for a secure placement.



Additional Information

CLEAN

Vacuum your upholstery regularly.

SPILLS

Act quickly with spills. Absorb the spill with a clean white cloth or paper towel. Never rub the surface. Do not use water or other liquids to clean, as they may stain the fabric. Consult a commercial cleaning specialist for removal of stubborn stains.

AVOID

Keep upholstery & felt furniture out of direct sunlight and away from heat sources; excessive exposure to sunlight may fade the color of the upholstery. Avoid placing heavy or sharp objects on the furniture surface for long periods of time; this can cause permanent indentations in the fabric. For snags in the fabric, tuck loose threads into fabric or carefully push to reverse side. Never pull out or cut off loose threads.

