

BLU
DOT

STELLA

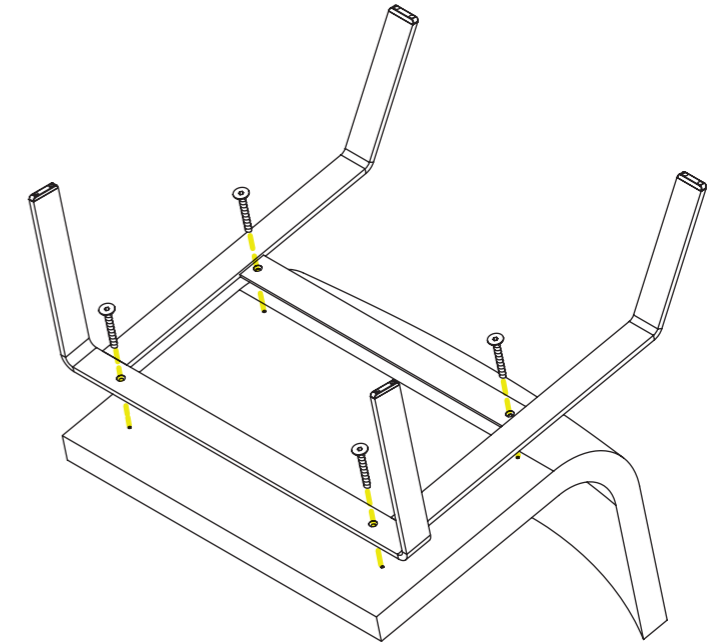
ASSEMBLY NOTES

ONE STEP
WONDER



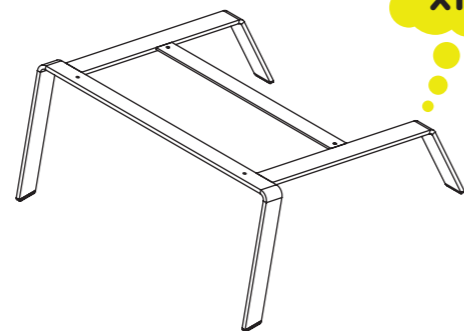
1

Assemble on carpet or
protective mat



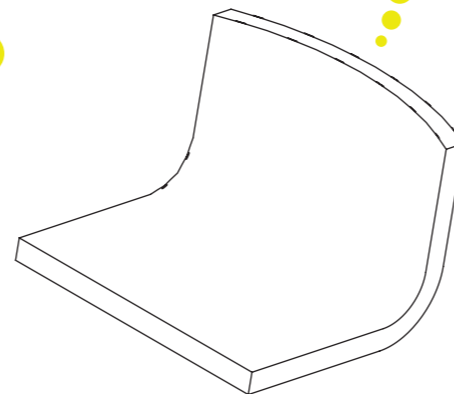
x4
1021

PARTS



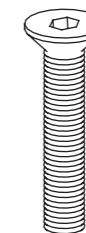
x1

x1

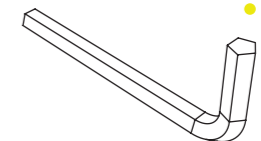


HARDWARE

x4
1021



x1
9004





STELLA

CARING FOR LEATHER
ALTERNATIVE FABRIC

KEEP IT CLEAN,
JIMMY!

CLEAN

Dust the entire surface of your furniture weekly with a clean, dry cloth. If necessary wipe with a white cloth wrung out in clean water. Avoid using any cleaning products or solutions as these may stain or discolor the surface.

SPILLS

Act quickly with spills. Absorb the spill with a clean white cloth or paper towel. Never rub the surface. If the spill has already set, use a very mild, dye-free detergent mixed with lukewarm water and blot with a clean cloth or sponge. For a spot that is difficult to remove use a gentle leather spot removal product. Before using, test on an inconspicuous area. For large stains or difficult spots, call a professional upholstery cleaner.

AVOID

Keep your leather and leather alternative furniture away from direct heat and sunlight. Heat and sunlight can dry out the surface of your furniture and may cause cracking and fading. Never leave heavy or sharp objects on or against your furniture as this could puncture the surface or cause permanent indentations.

POLISHED STAINLESS STEEL

SHINE

Use a clean, soft, cotton cloth to shine the stainless steel.