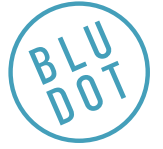
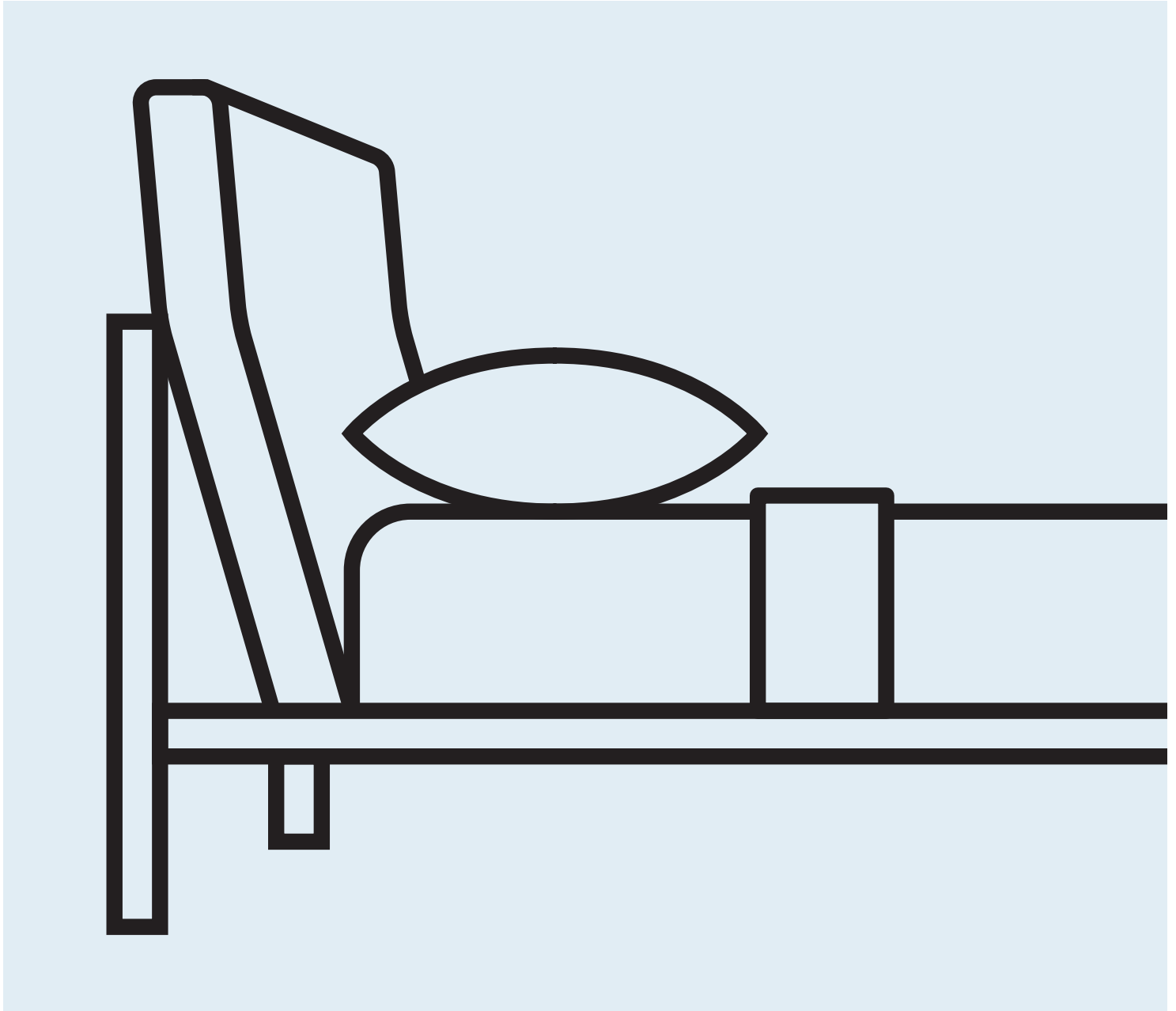


Station Bed



DESIGNED IN 2013

ASSEMBLY NOTES | REV 00



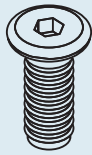
WE NOW RETURN YOU TO YOUR REGULARLY SCHEDULED PROGRAM.

A durable glossy steel frame unites with the soft recline of a padded upholstered headboard. Two forms joining forces for a bit of drama and hopefully some hijinks.

NEED A HAND?

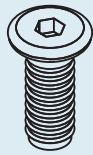
Contact us at service@bludot.com or **844.425.8368** for assistance.

Parts & Hardware



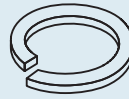
QTY 14

Pt. 1080



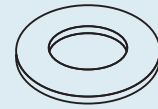
QTY 6*

Pt. 1079



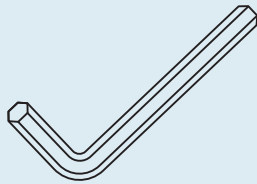
QTY 14

Pt. 3005



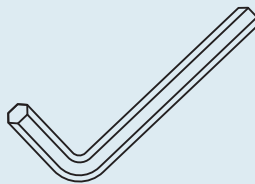
QTY 14

Pt. 3006



QTY 1

Pt. 9004



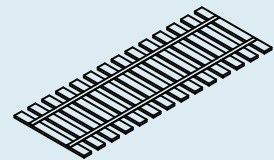
QTY 1

Pt. 9001



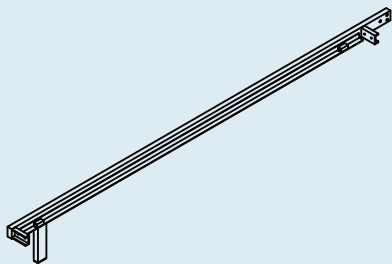
QTY 1

Center foot



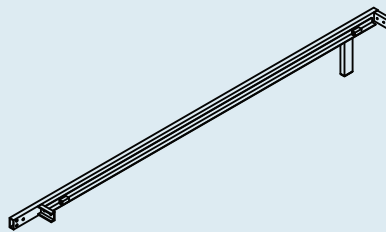
QTY 2

Bed slats



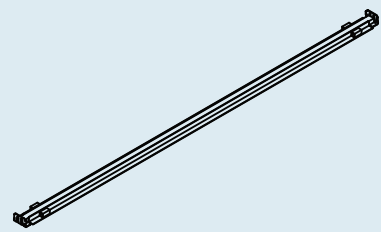
QTY 1

Left side rail



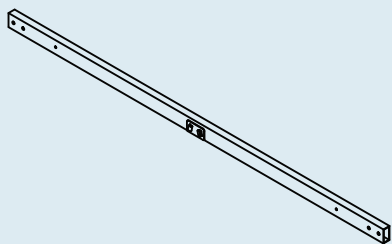
QTY 1

Right side rail



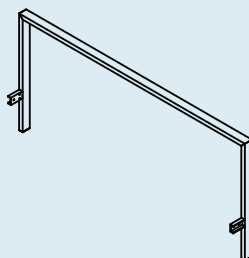
QTY 1

Center rail



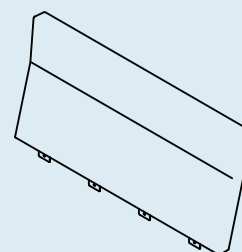
QTY 2

End rails



QTY 1

Headboard rail



QTY 1


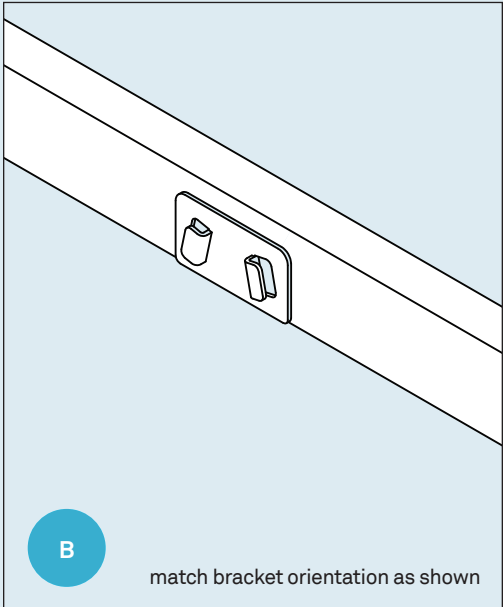
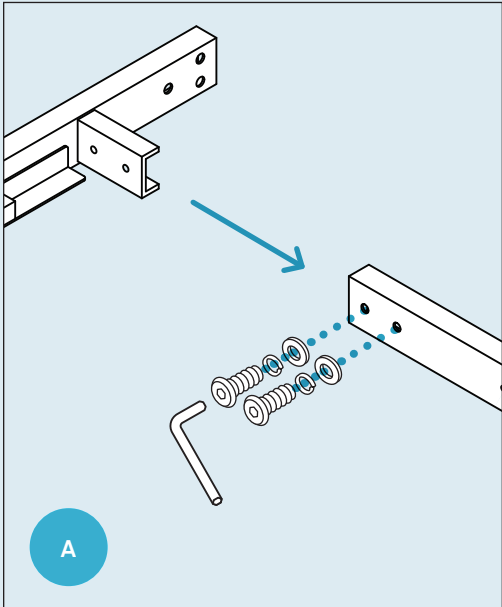
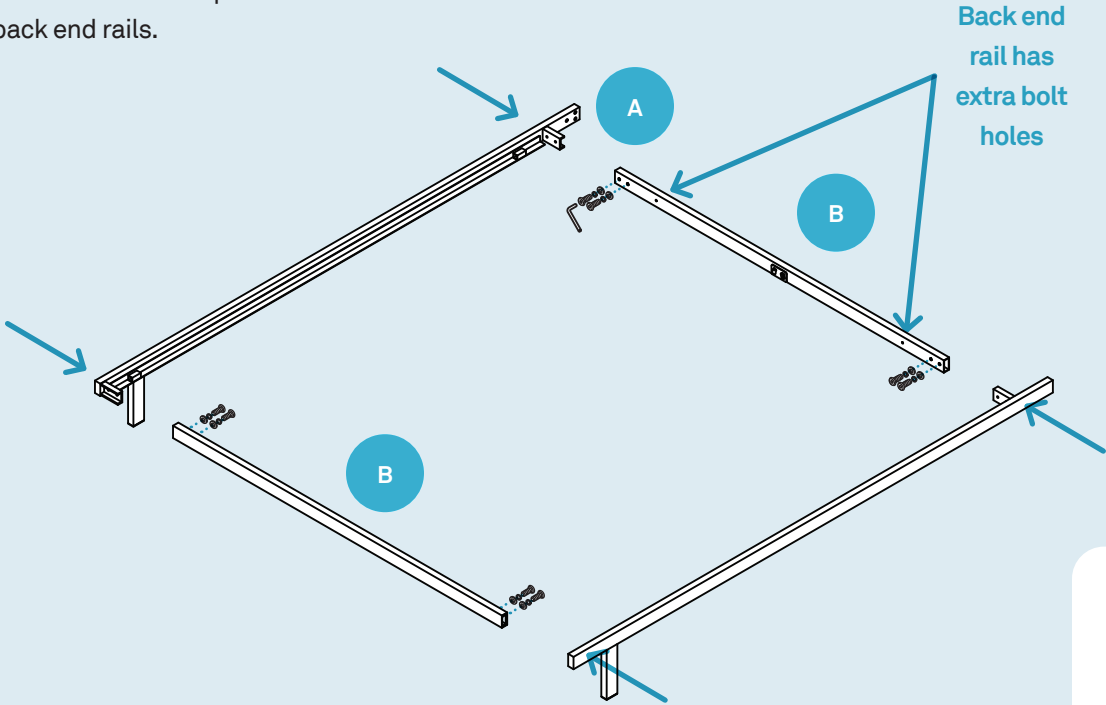
Headboard

*King bed ships with x7 Pt.1079


Step 01

ASSEMBLE RAILS.


Loosely attach the side rails to the end rails.
Be sure to note the position of the front and back end rails.



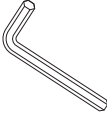
PT. 1080 X 8



PT. 3005 X 8



PT. 3006 X 8



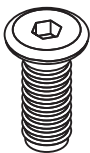
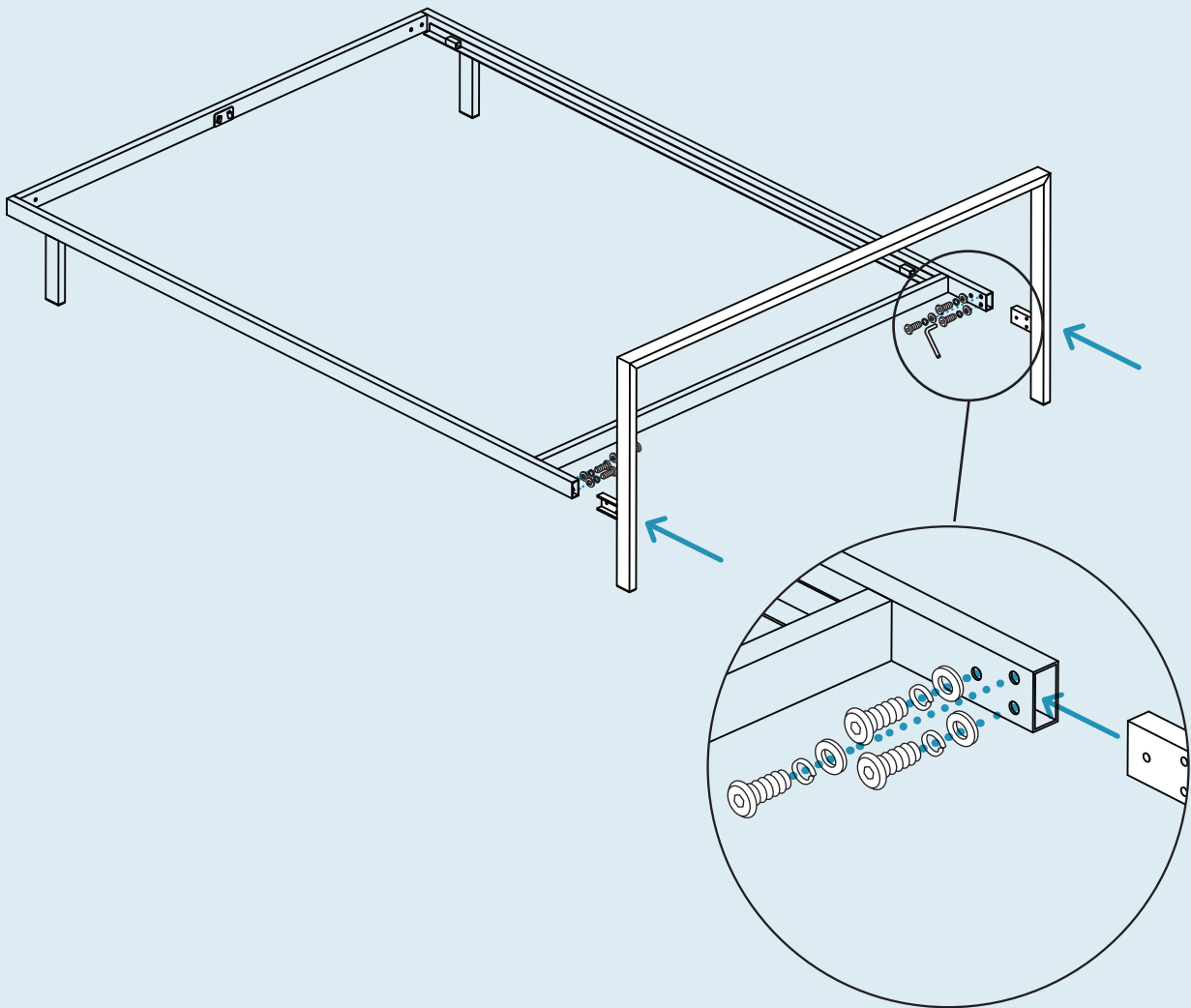
PT. 9001 X 1

Step 02

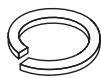
ATTACH HEADBOARD SUPPORT.

Attach the headboard support rail to the frame.

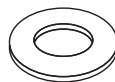
Tighten all hardware.



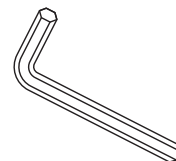
Pt. 1080 x 6



Pt. 3005 x 6



Pt. 3006 x 6

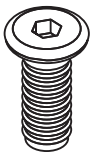
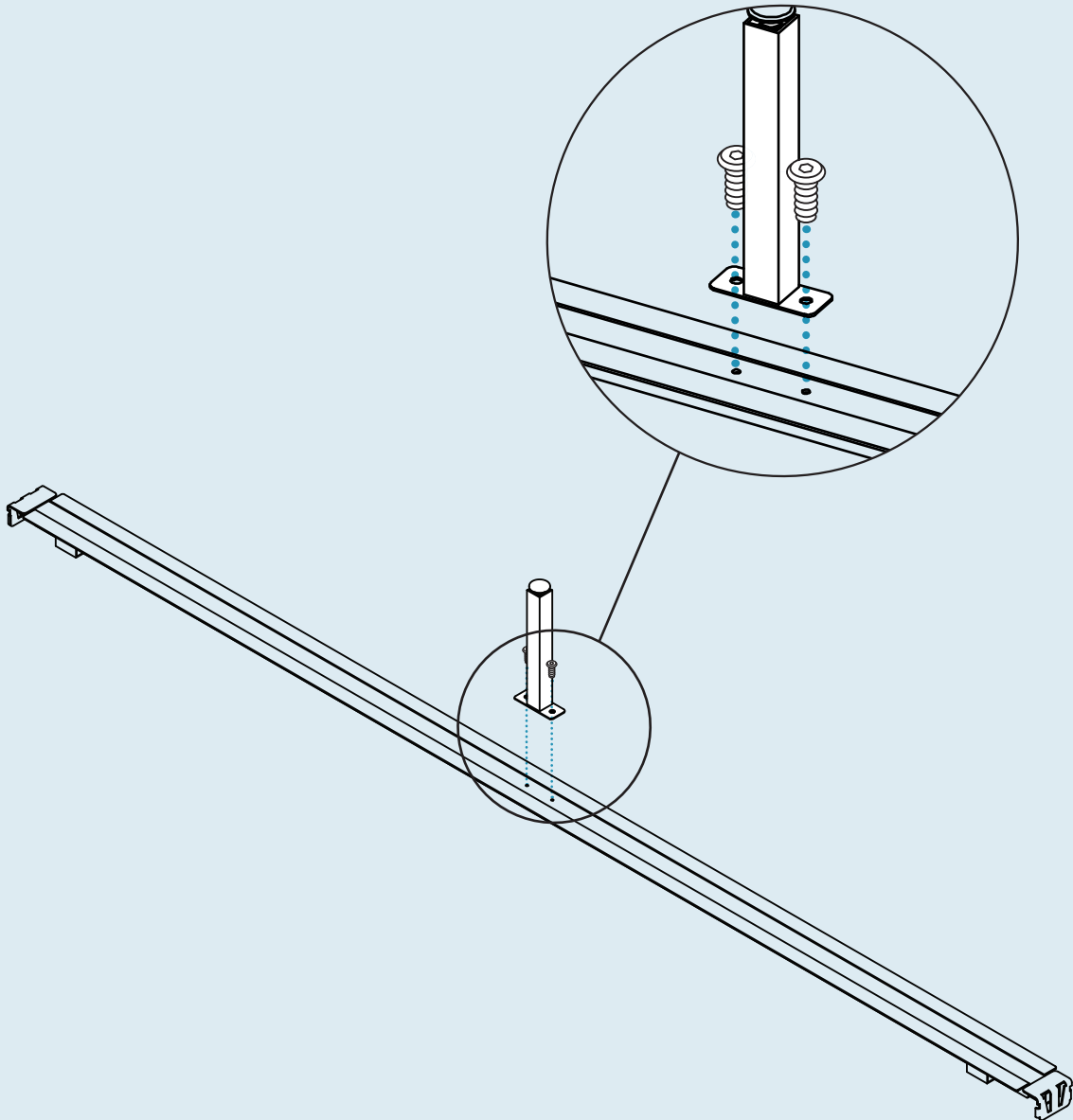


Pt. 9001 x 1

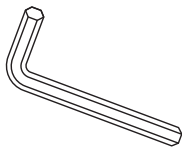
Step 03

ASSEMBLE THE CENTER RAIL.

Attach the center foot to the center rail as shown.



PT. 1079 x 2

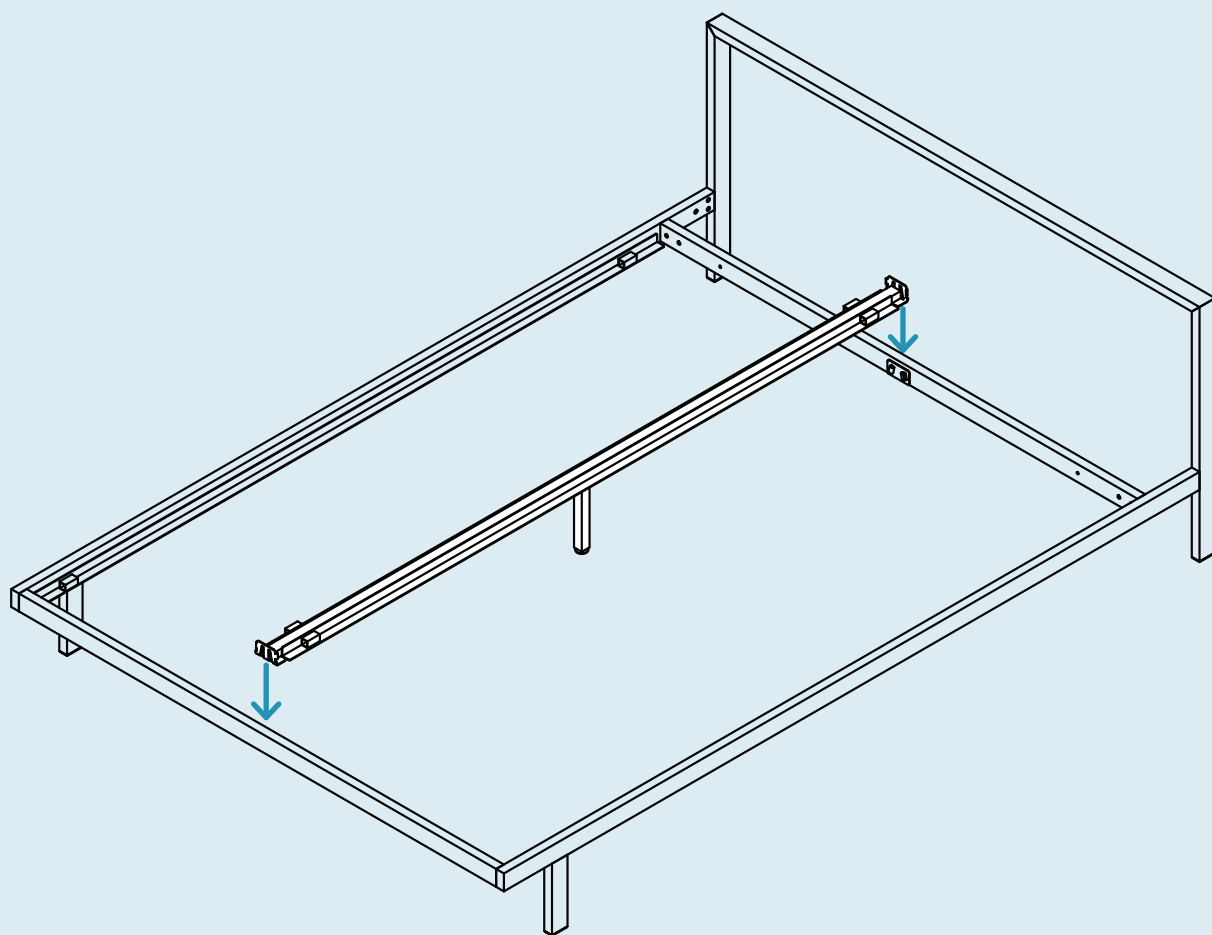


PT. 9004 x 1

Step 04

INSTALL CENTER RAIL.

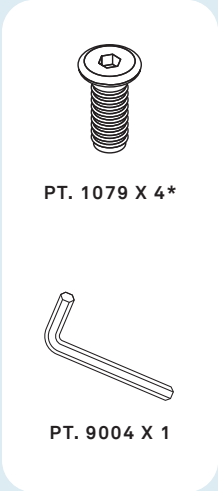
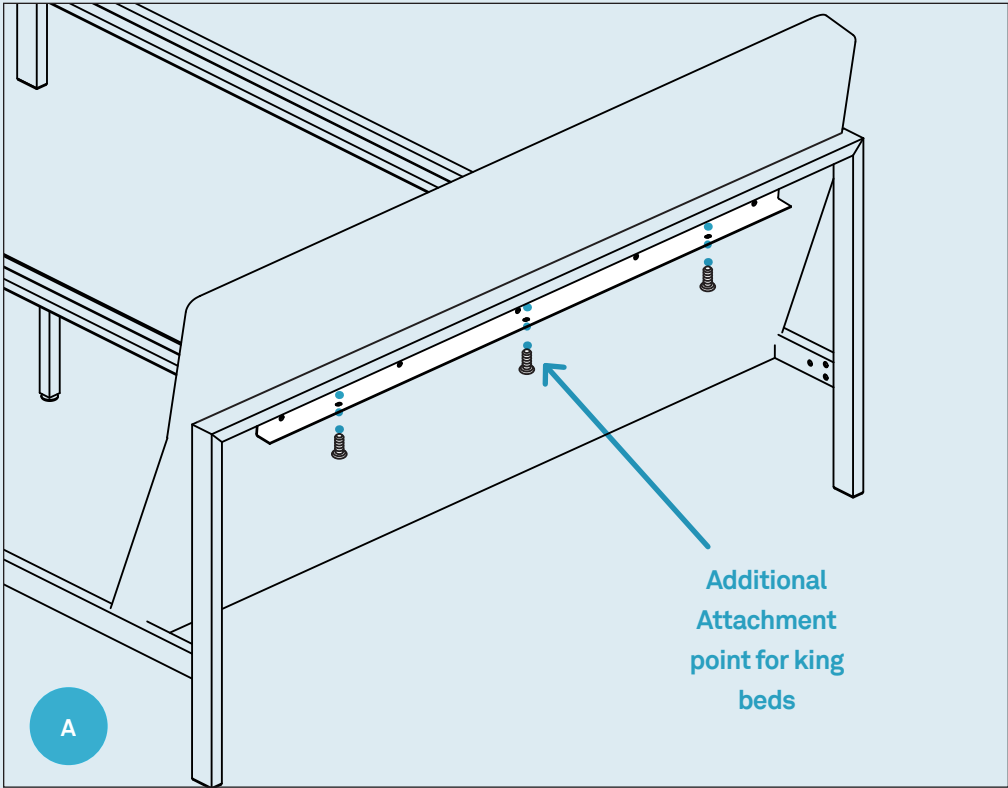
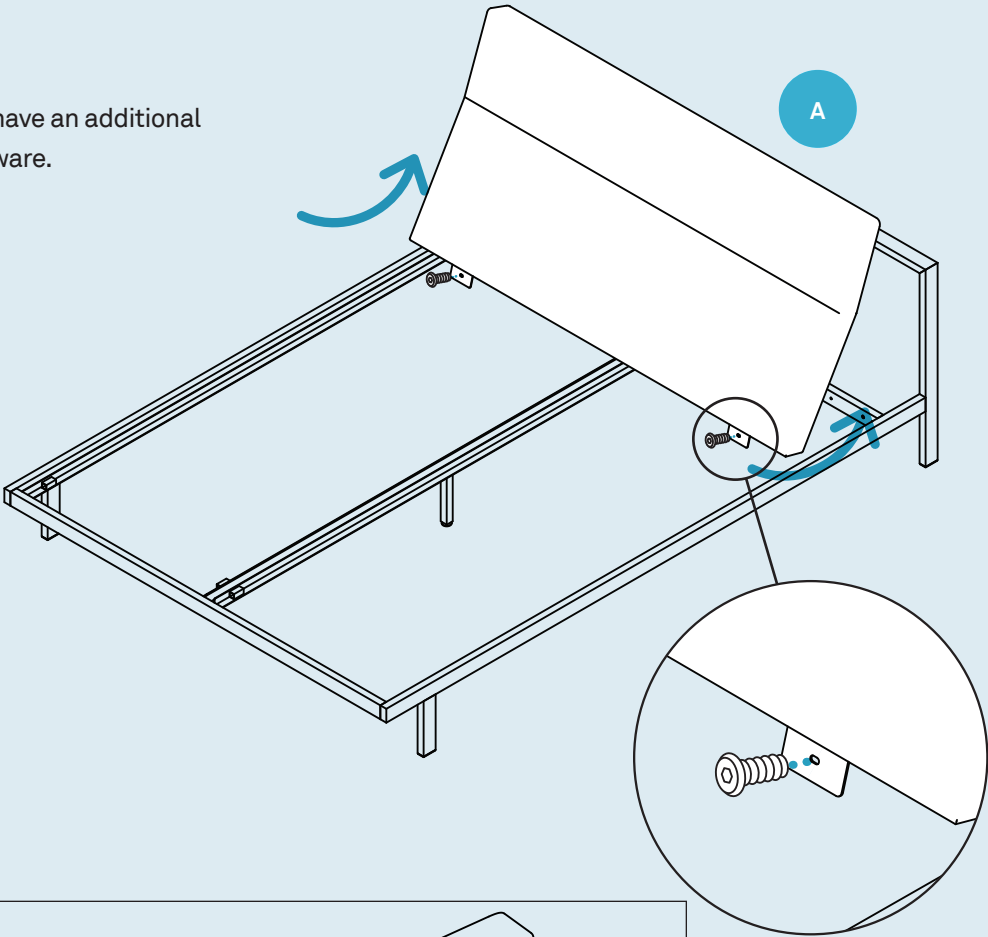
Attach the center rail by setting it into the center rail brackets.



Step 05

ATTACH THE HEADBOARD.

*The king size headboards have an additional attachment point and hardware.

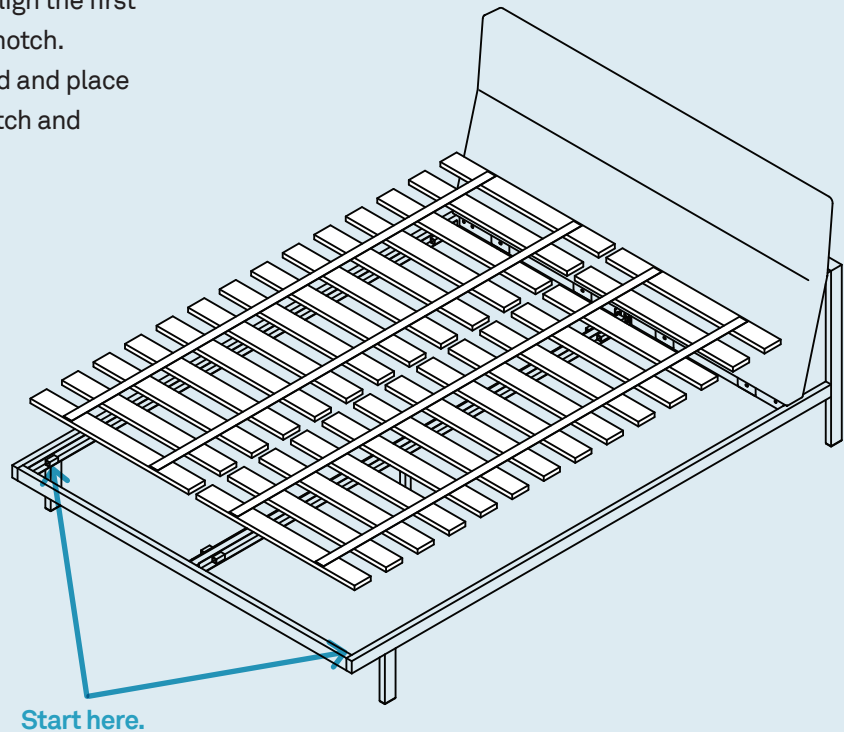


Step 06

INSTALL THE BED SLATS.

Starting from the foot of the bed, align the first slat in between the rail and metal notch.

Stretch slats toward the headboard and place the last slat between the metal notch and headboard.



Additional Information

CLEAN

Vacuum your upholstery regularly.

SPILLS

Act quickly with spills. Absorb the spill with a clean white cloth or paper towel. Never rub the surface. Do not use water or other liquids to clean, as they may stain the fabric. Consult a commercial cleaning specialist for removal of stubborn stains.

AVOID

Keep upholstery & felt furniture out of direct sunlight and away from heat sources; excessive exposure to sunlight may fade the color of the upholstery. Avoid placing heavy or sharp objects on the furniture surface for long periods of time; this can cause permanent indentations in the fabric. For snags in the fabric, tuck loose threads into fabric or carefully push to reverse side. Never pull out or cut off loose threads.

