

BLU  
DOT

# STASH

DESK

ASSEMBLY NOTES

CHA-CHING!



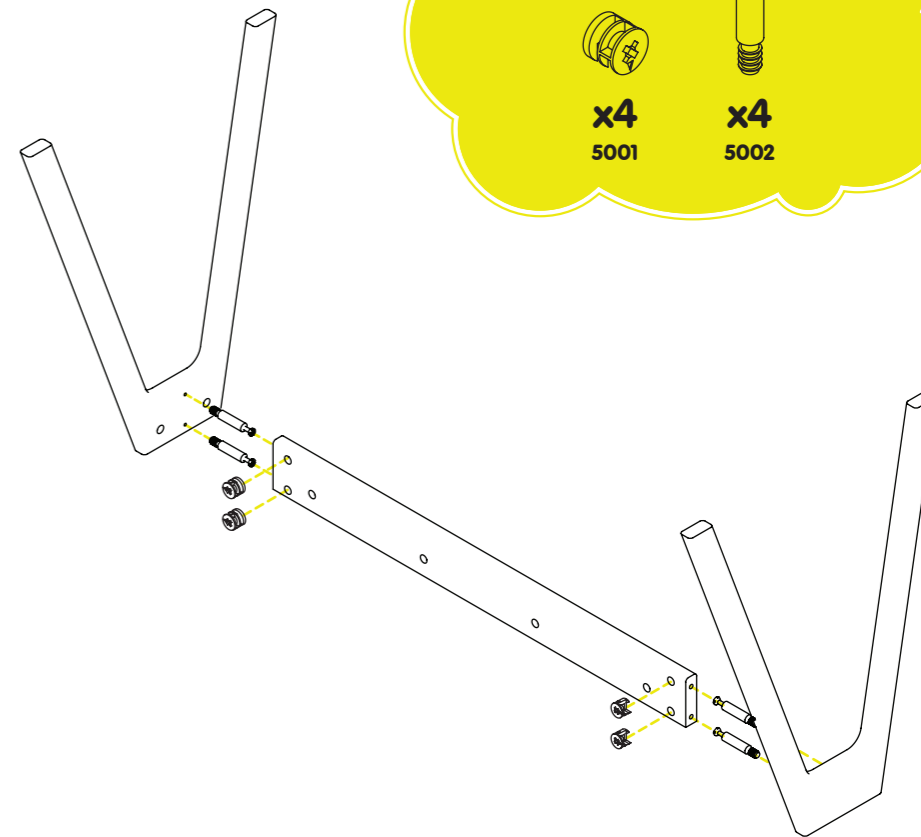
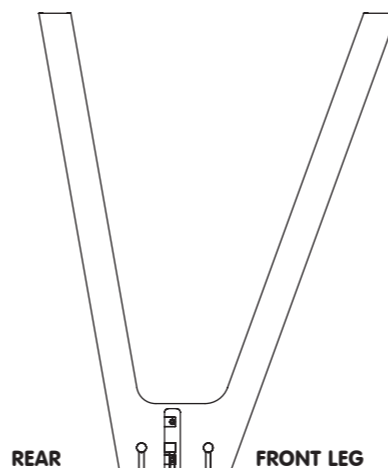
## CARE

Clean with a slightly damp, soft cloth. To remove dirt and fingerprints, use a quality cleaner formulated for wood furniture. Wipe completely dry with a soft cloth in the direction of the wood grain.



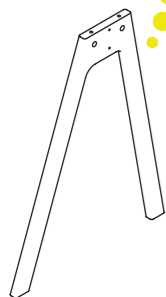
1

Is the desk going to be placed against the wall? If so, you'll want the holes in the beam to face the rear of the desk. If not, position the beam so that the holes face the front of the desk.



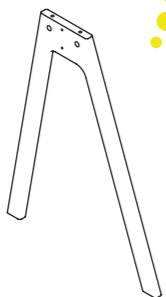
## PARTS

x1



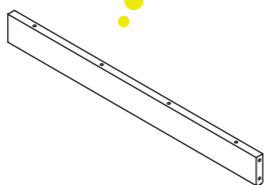
Left

x1

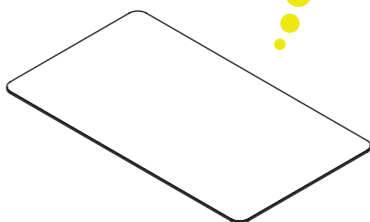


Right

x1



x1

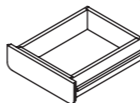


x2



Drawer Side

x1



Drawer

x1  
8010



x16  
5001



x16  
5002



x7  
5005

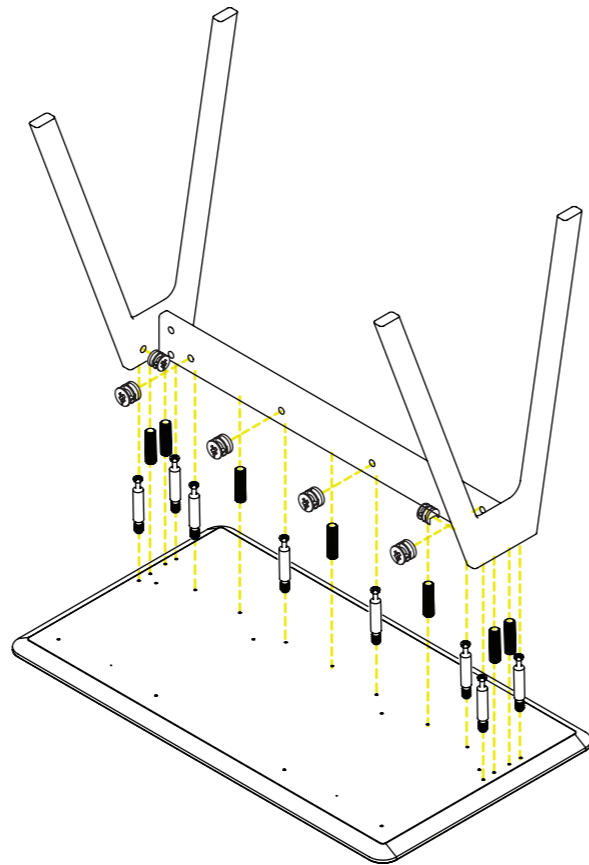
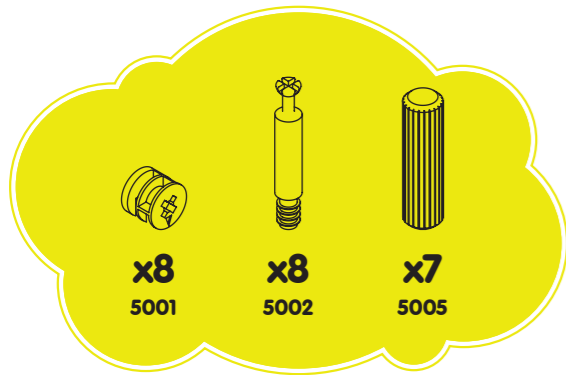


x1  
1210



## HARDWARE

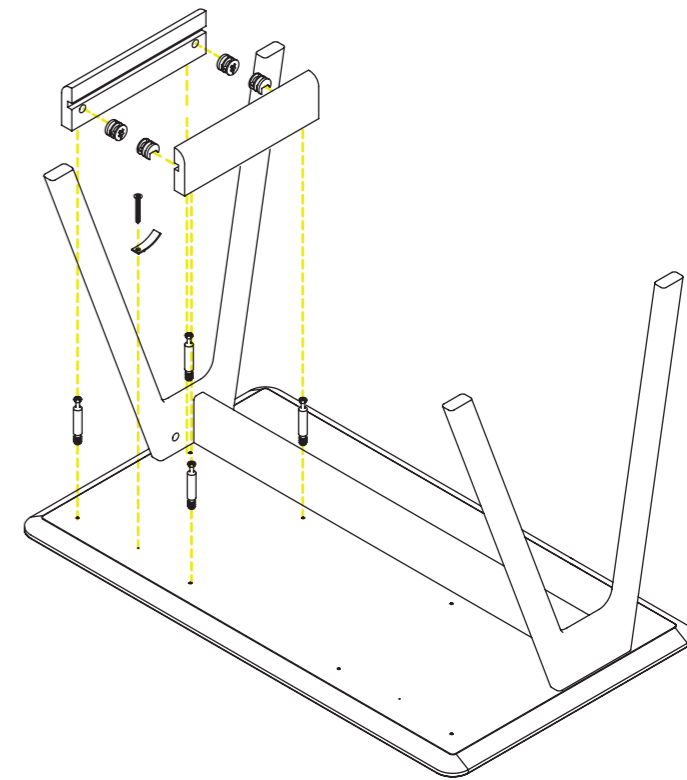
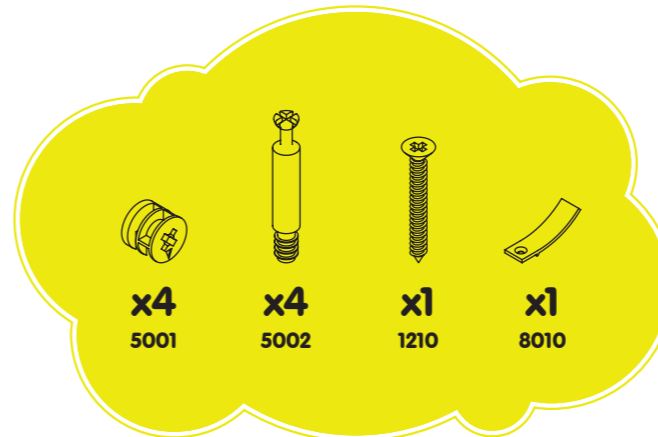
2



3

RIGHT

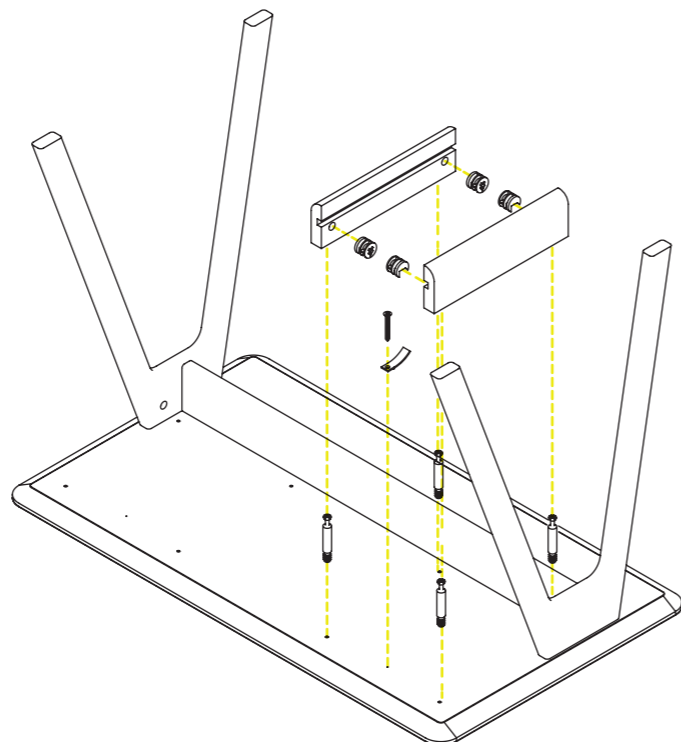
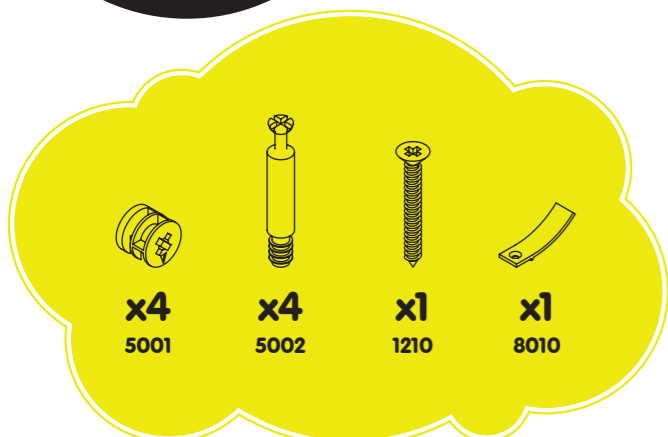
Choose whether you'd prefer the drawer on the left or right hand side of the desk. Follow this step if you'd like it on the right.



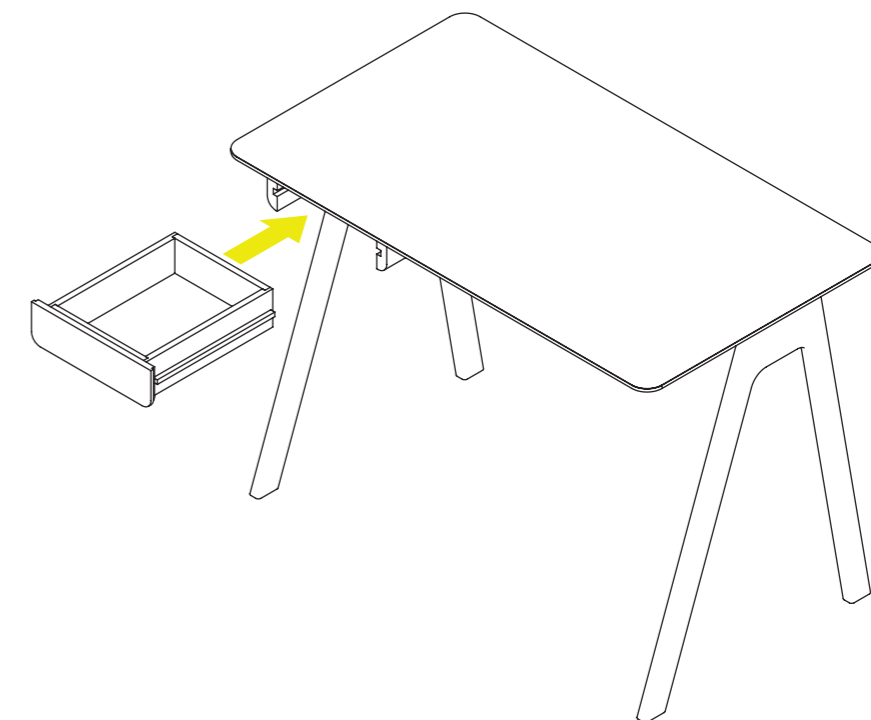
3

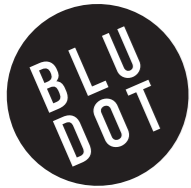
LEFT

Choose whether you'd prefer the drawer on the left or right hand side of the desk. Follow this step if you'd like it on the left.

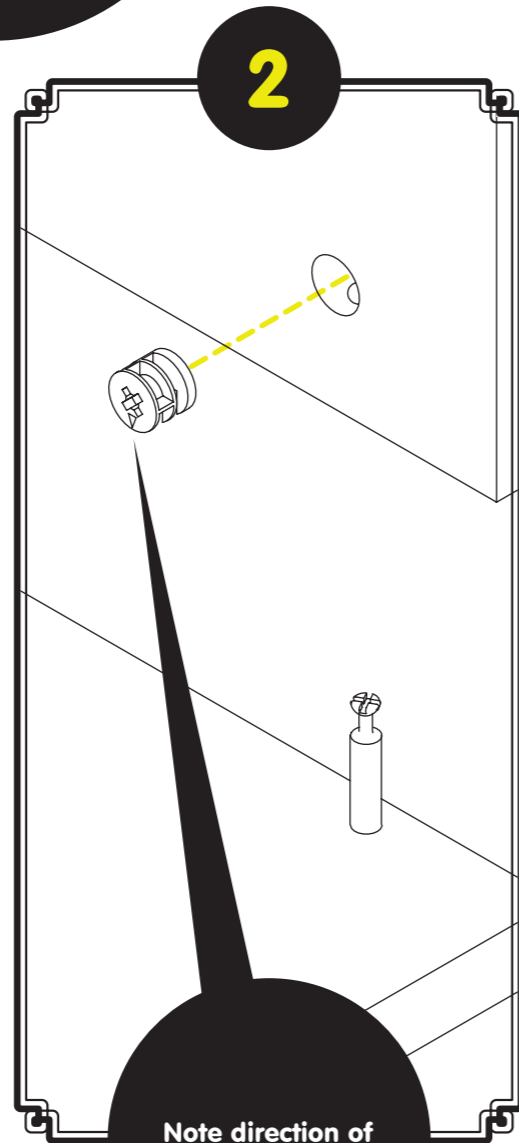
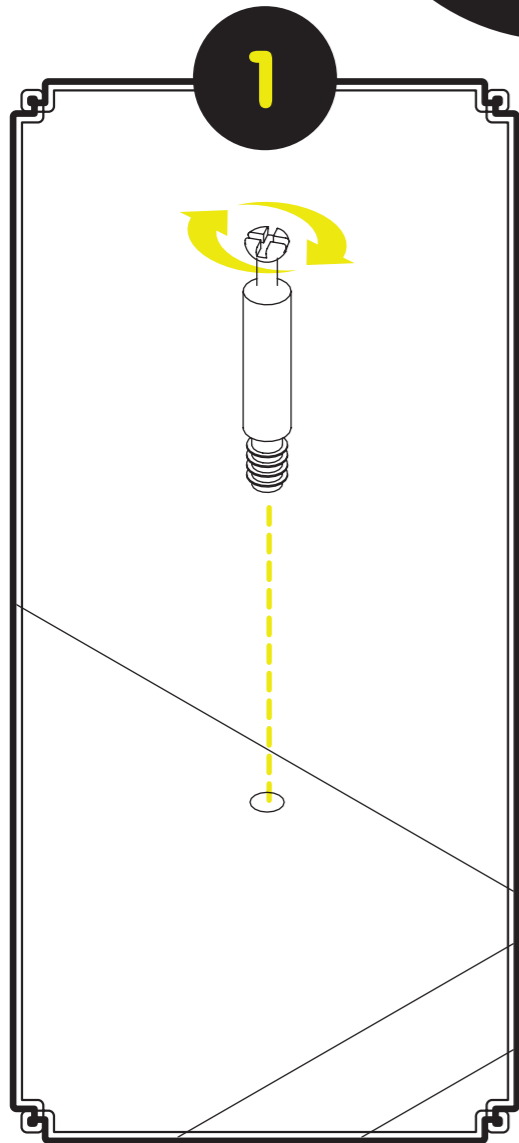


4

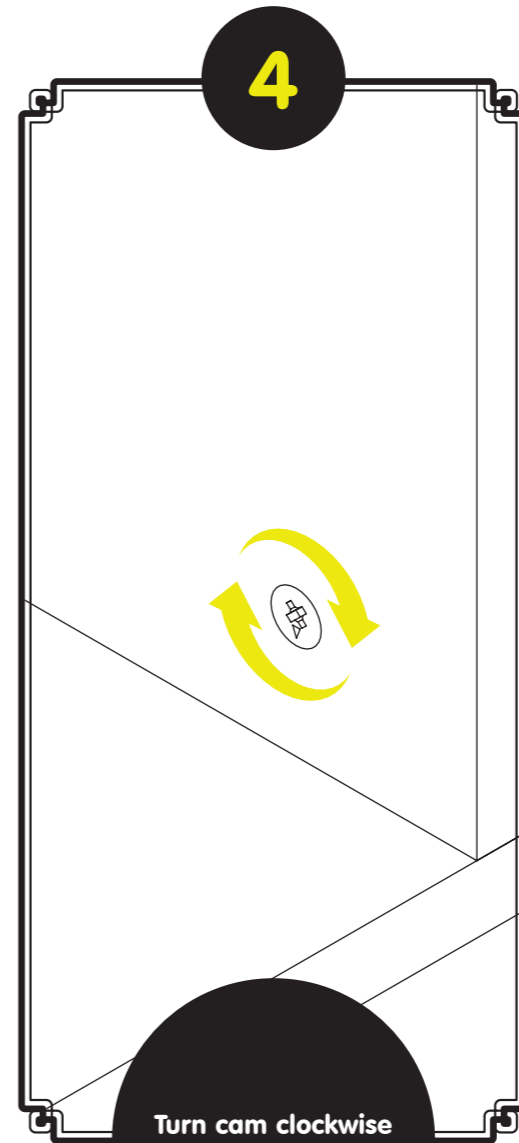
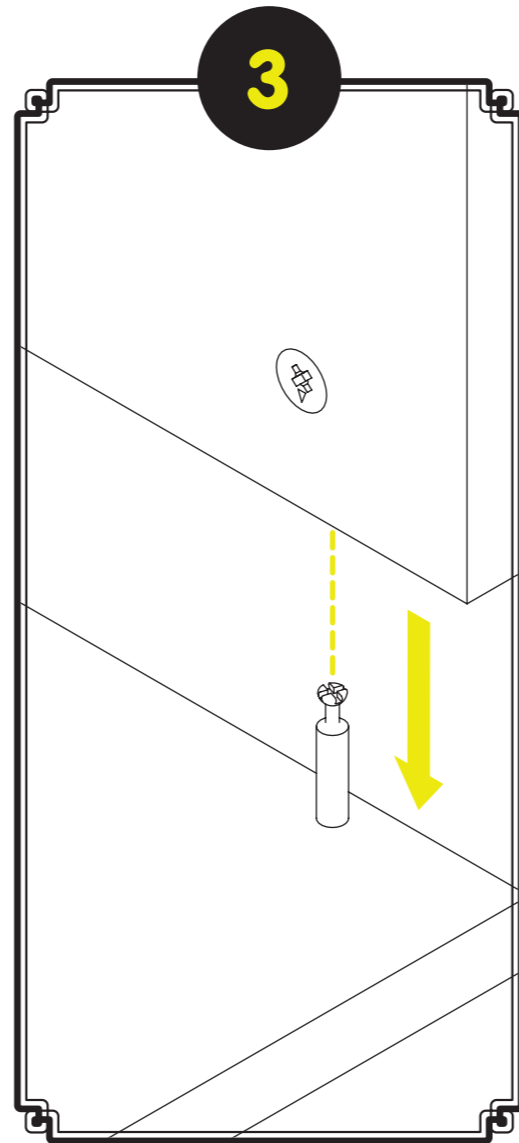




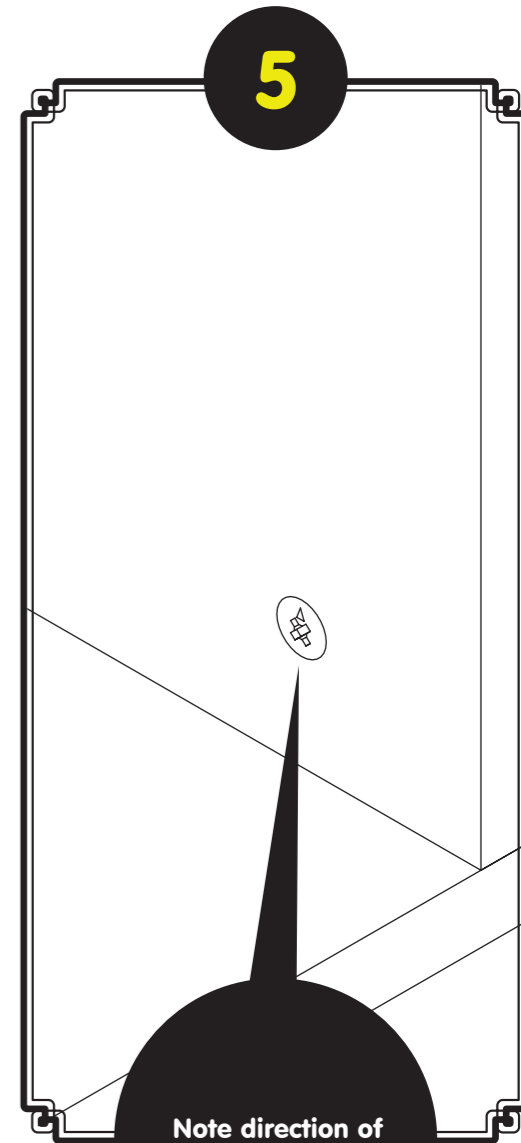
# HOW TO USE CAM LOCK HARDWARE



Note direction of arrow on cam



Turn cam clockwise 1/2 turn



Note direction of arrow on cam