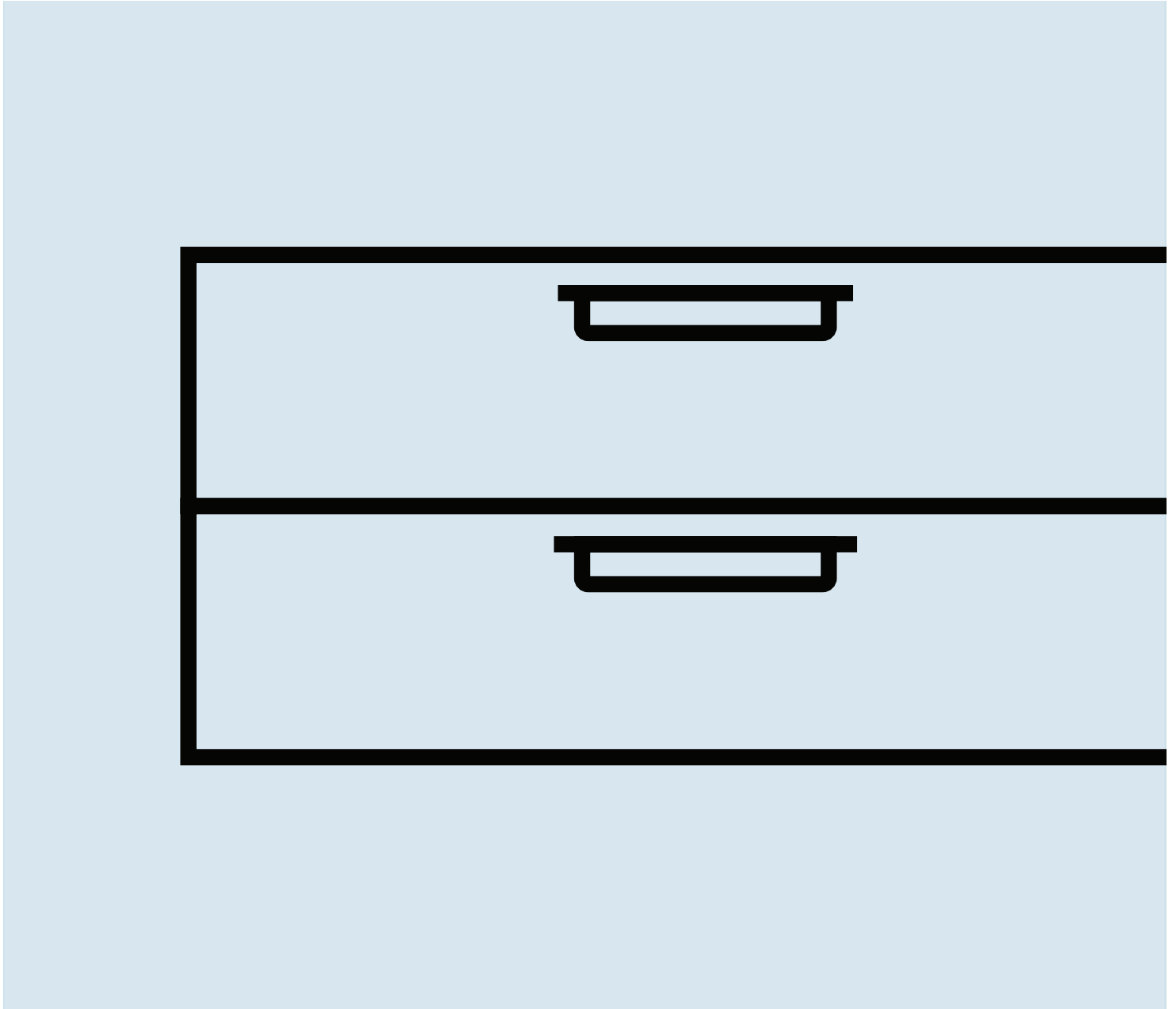


# Shale Wall-Mounted Cabinet



DESIGNED IN 2013

ASSEMBLY NOTES | REV 00



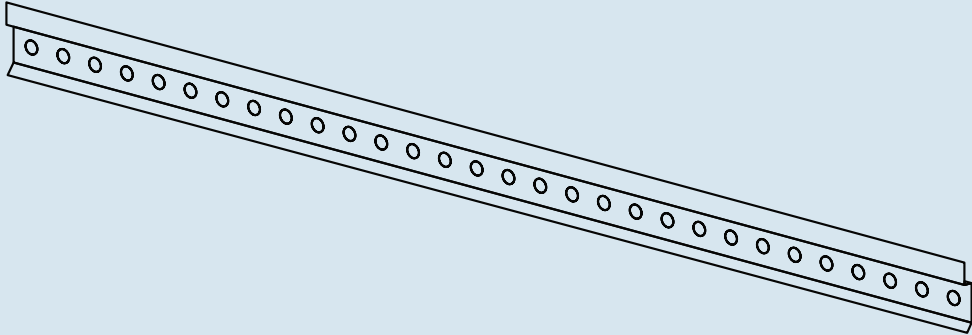
## BEAUTILITY!

Pick the height that is right for your space. Door units feature adjustable shelves and wire management holes.

## NEED A HAND?

Contact us at [service@bludot.com](mailto:service@bludot.com) or **844.425.8368** for assistance.

# Parts & Hardware



QTY

1

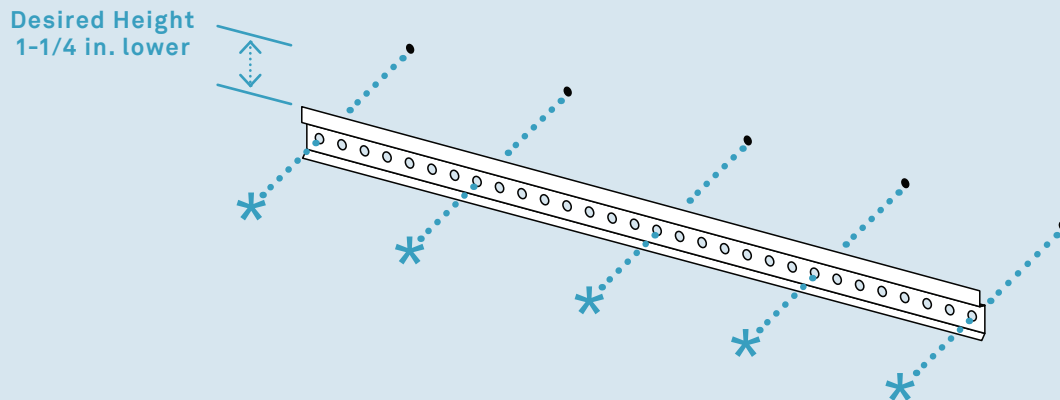
---

Wall Bar

# Step 01

## INSTALL THE BAR.

Attach Wall Bar using outermost holes first, then distribute the other screws based on the wall studs.\* Position the top of the wall bar 1-1/4" lower than your desired height of the Shale unit.

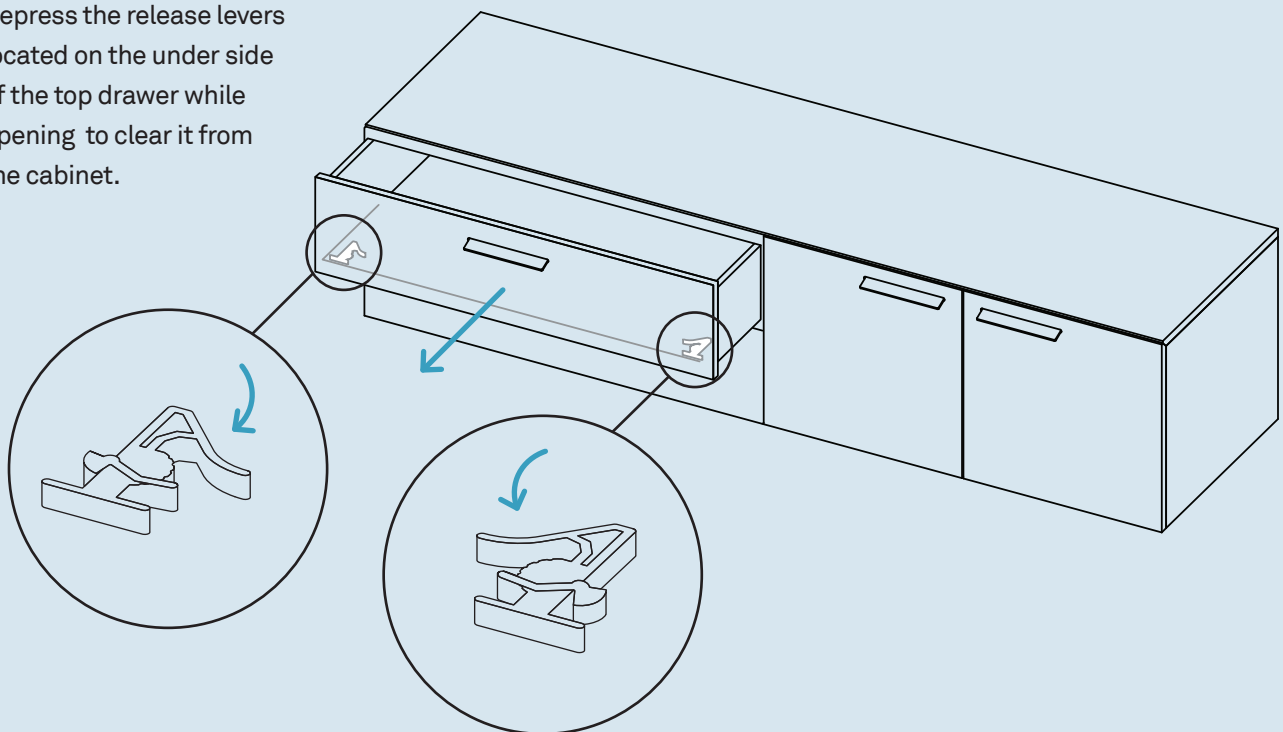


\* It is recommended that you consult with a professional to determine the method and hardware required for installation.

# Step 02

## MAKE THINGS EASIER.

Depress the release levers located on the under side of the top drawer while opening to clear it from the cabinet.

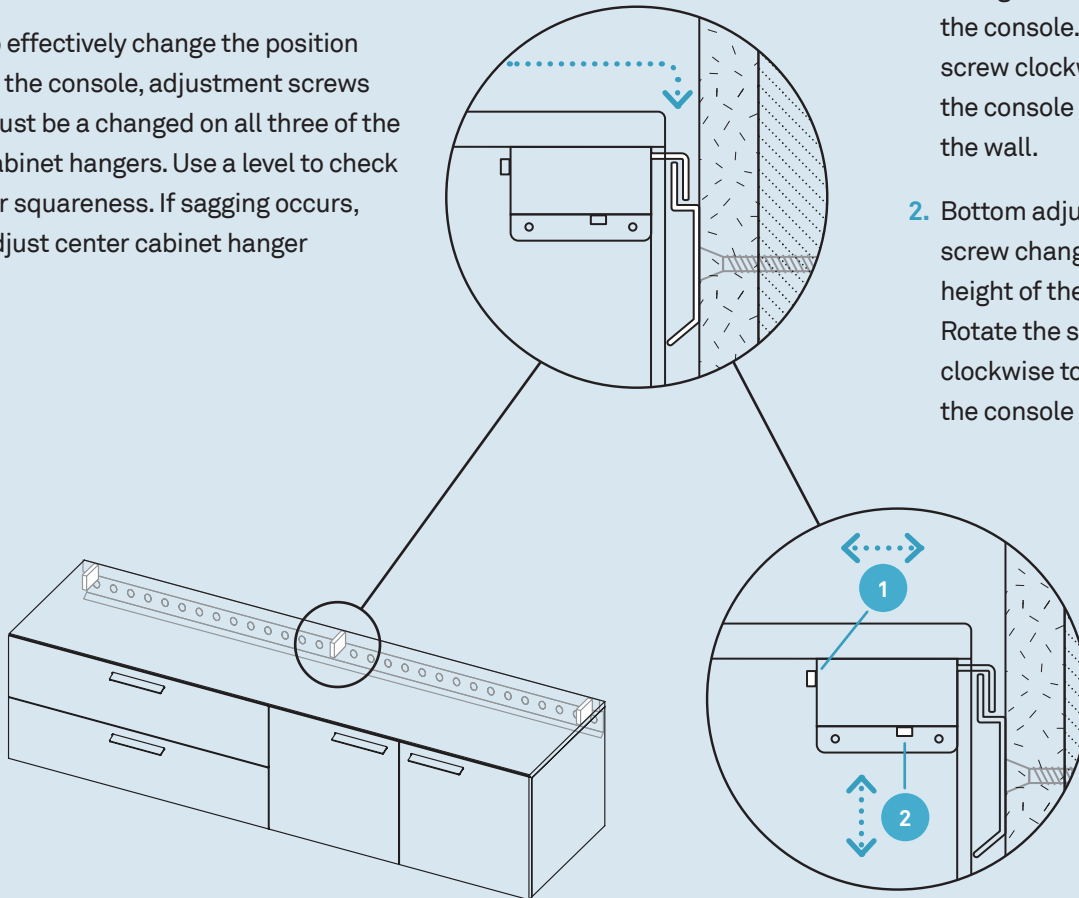


## Step 03

### HANGING / ADJUSTING.

To make sure each of the three cabinet hangers within the console latch over the wall bar, extend the cabinet hanger brackets by turning the front adjustment screw counter clockwise.

To effectively change the position of the console, adjustment screws must be changed on all three of the cabinet hangers. Use a level to check for squareness. If sagging occurs, adjust center cabinet hanger



1. Front adjustment screw changes the pitch of the console. Rotate the screw clockwise to move the console closer to the wall.
2. Bottom adjustment screw changes the height of the console. Rotate the screw clockwise to move the console up.

## Additional Information

### CLEAN

Clean with a slightly damp, soft cloth. To remove dirt and fingerprints, use a quality cleaner formulate for wood furniture. Wipe completely dry with a soft cloth in the direction of the wood grain.