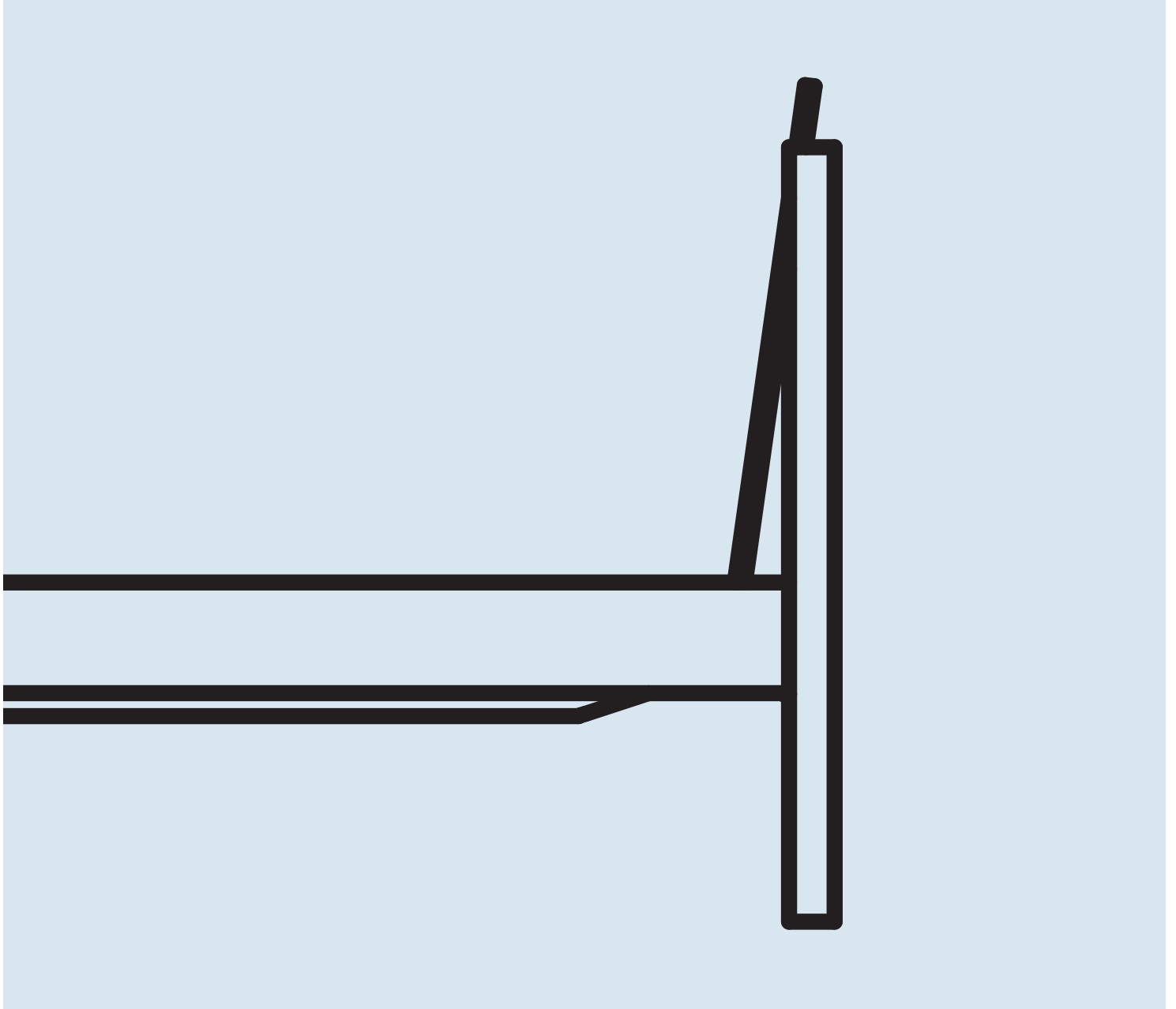


Post Up Bed

DESIGNED IN 2016

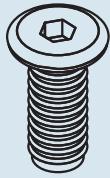
ASSEMBLY NOTES | REV 00



NEED A HAND?

Contact us at service@bludot.com or 844.425.8368 for assistance.

Parts & Hardware



QTY

10*

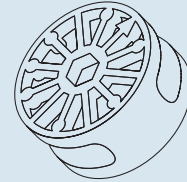
Pt. 1089



QTY

6

Pt. 5023



QTY

2

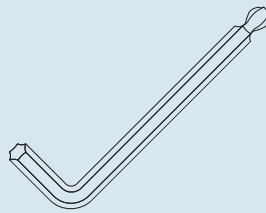
Pt. 5019



QTY

2

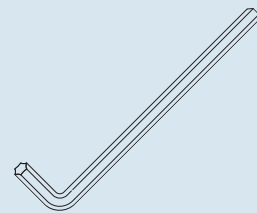
Pt. 5018



QTY

1

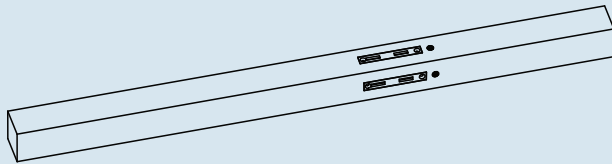
Pt. 9016



QTY

1

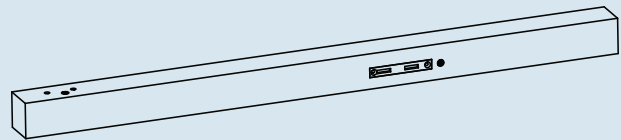
Pt. 9022



QTY

2

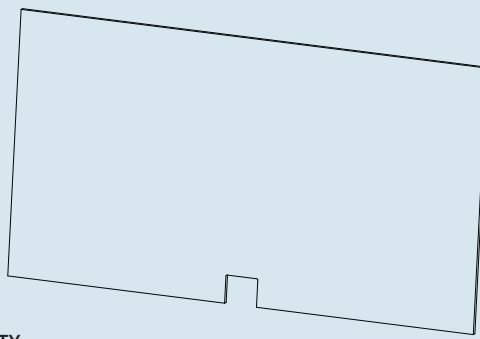
Front Upright



QTY

2

Rear Upright



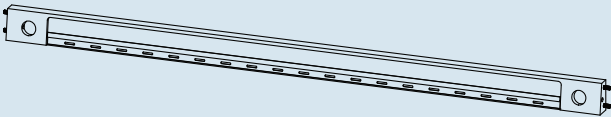
QTY

1

Headboard

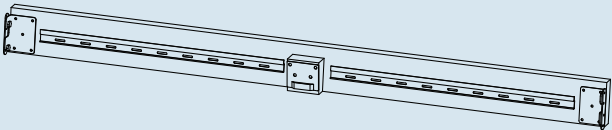
*Twin bed ships with x8 PT.1089.

Parts & Hardware



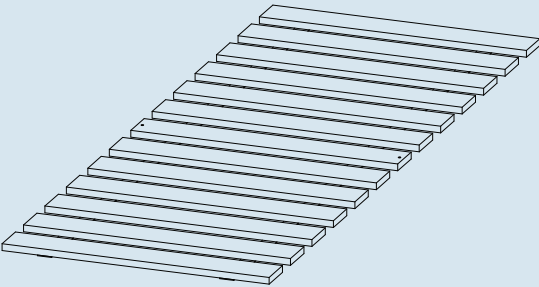
QTY 1

Upper Rear Rail



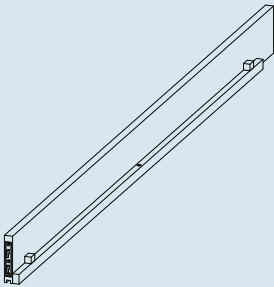
QTY 1

Lower Rear Rail



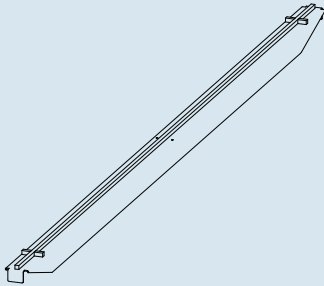
QTY 2*

Slats



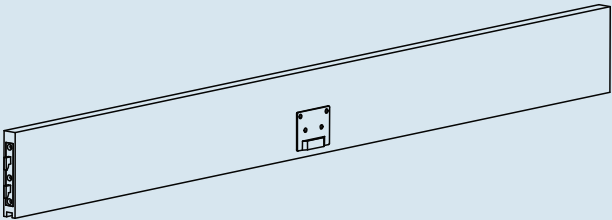
QTY 2

Side Rail



QTY 1*

Center Rail



QTY 1

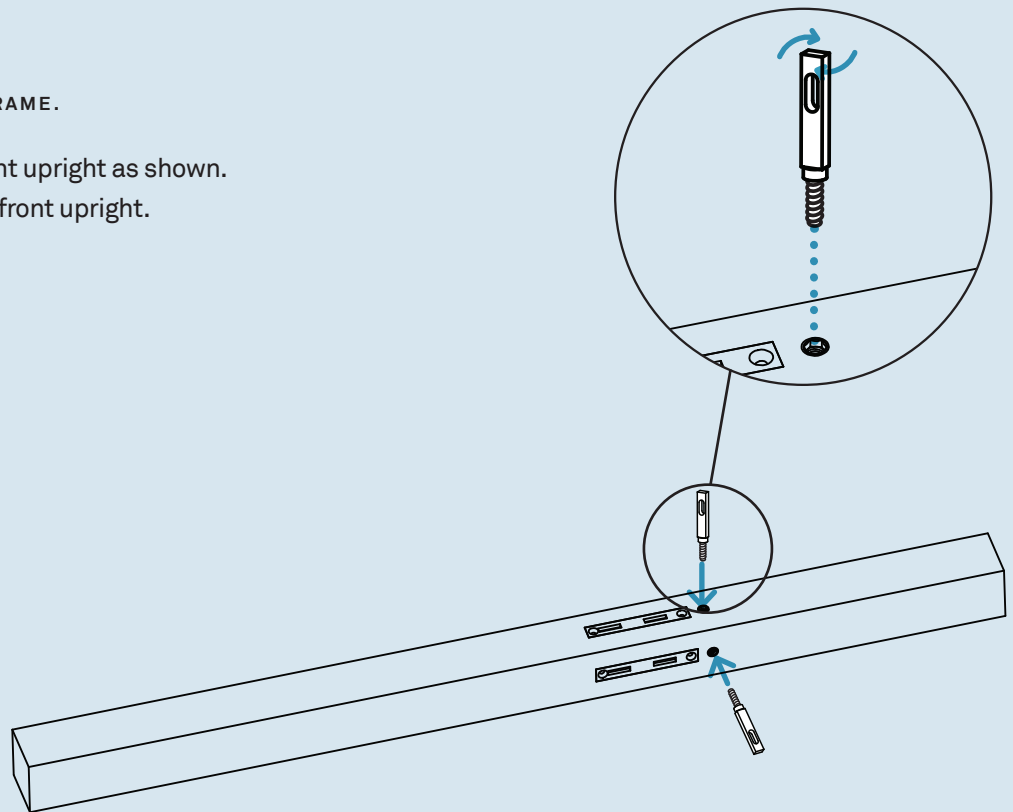
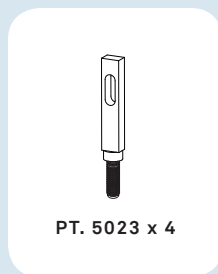
Footboard

*Twin bed ships with x1 set of slats and no center rail.

Step 01

BEGIN ASSEMBLING FRAME.

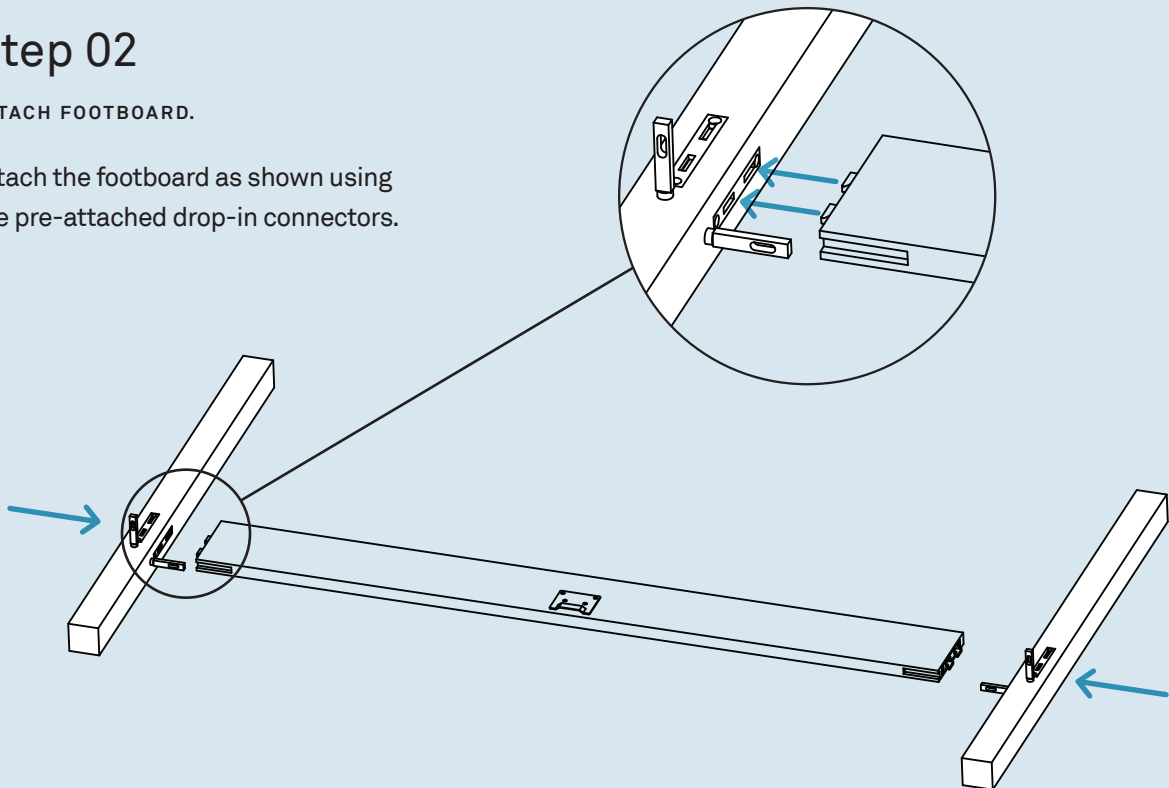
Attach PT. 5023 to front upright as shown.
Repeat for remaining front upright.



Step 02

ATTACH FOOTBOARD.

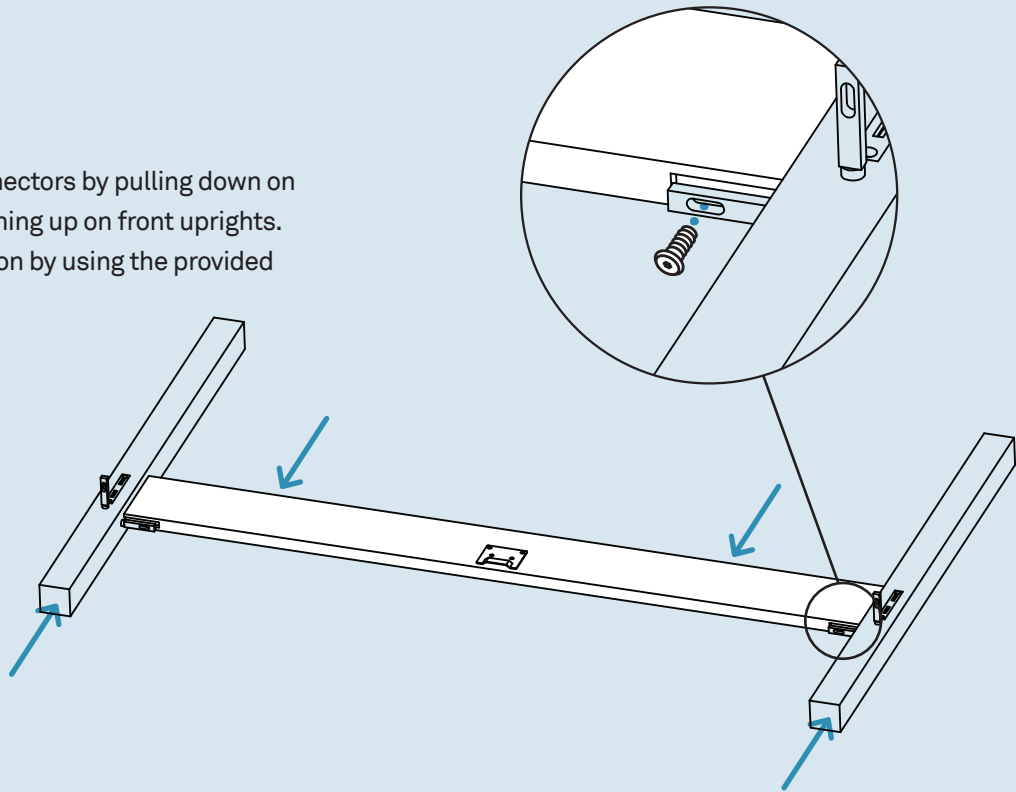
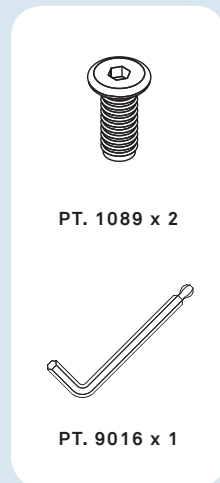
Attach the footboard as shown using
the pre-attached drop-in connectors.



Step 03

SECURE FOOTBOARD.

Engage drop-in connectors by pulling down on footboard while pushing up on front uprights. Secure the connection by using the provided hardware as shown.

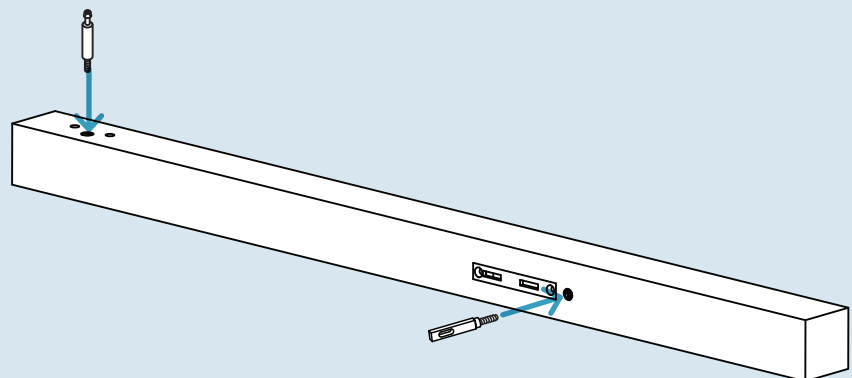
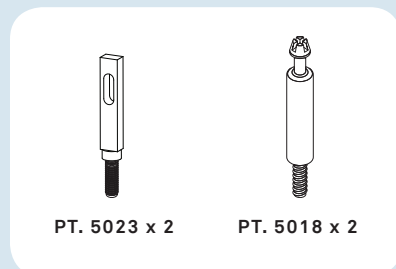


Step 04

ATTACH HARDWARE TO REAR UPRIGHT.

Attach the provided hardware as shown. Repeat for remaining rear upright.

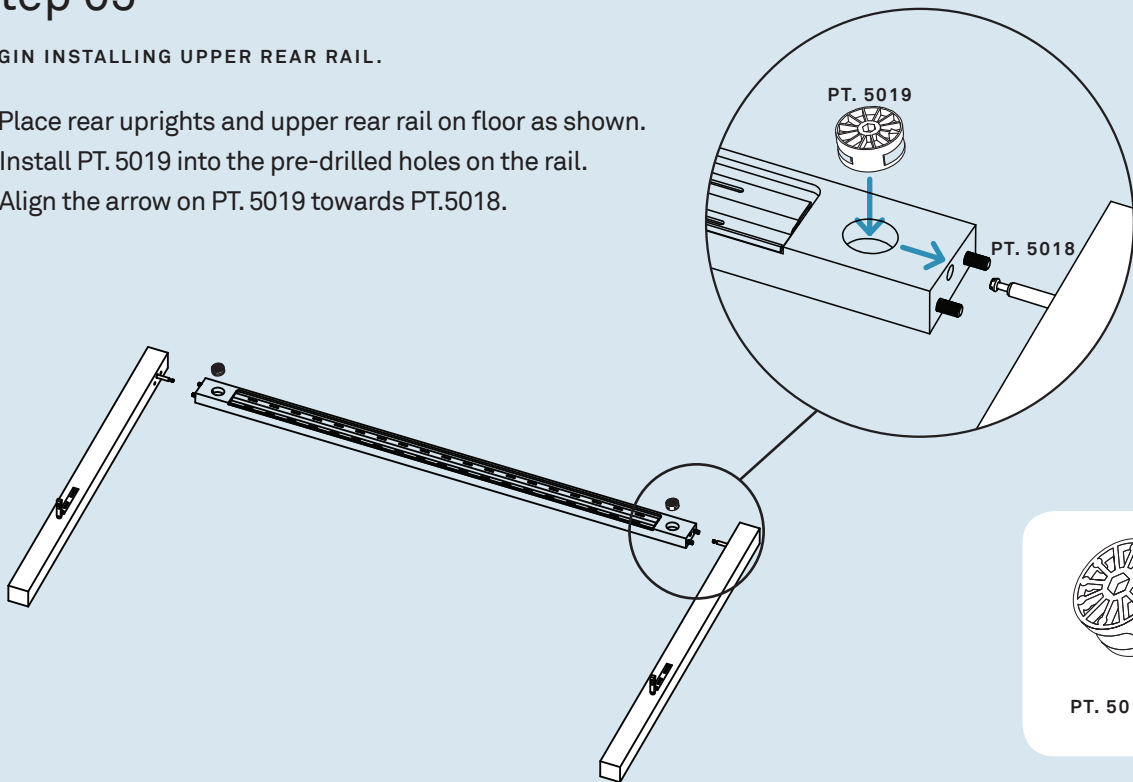
NOTE: Use a phillips screwdriver to install PT. 5018.



Step 05

BEGIN INSTALLING UPPER REAR RAIL.

1. Place rear uprights and upper rear rail on floor as shown.
2. Install PT. 5019 into the pre-drilled holes on the rail.
3. Align the arrow on PT. 5019 towards PT.5018.



Step 06

SECURE UPPER REAR RAIL.

1. Push uprights into place.
2. Turn PT. 5019 one half turn, 180°, clockwise.

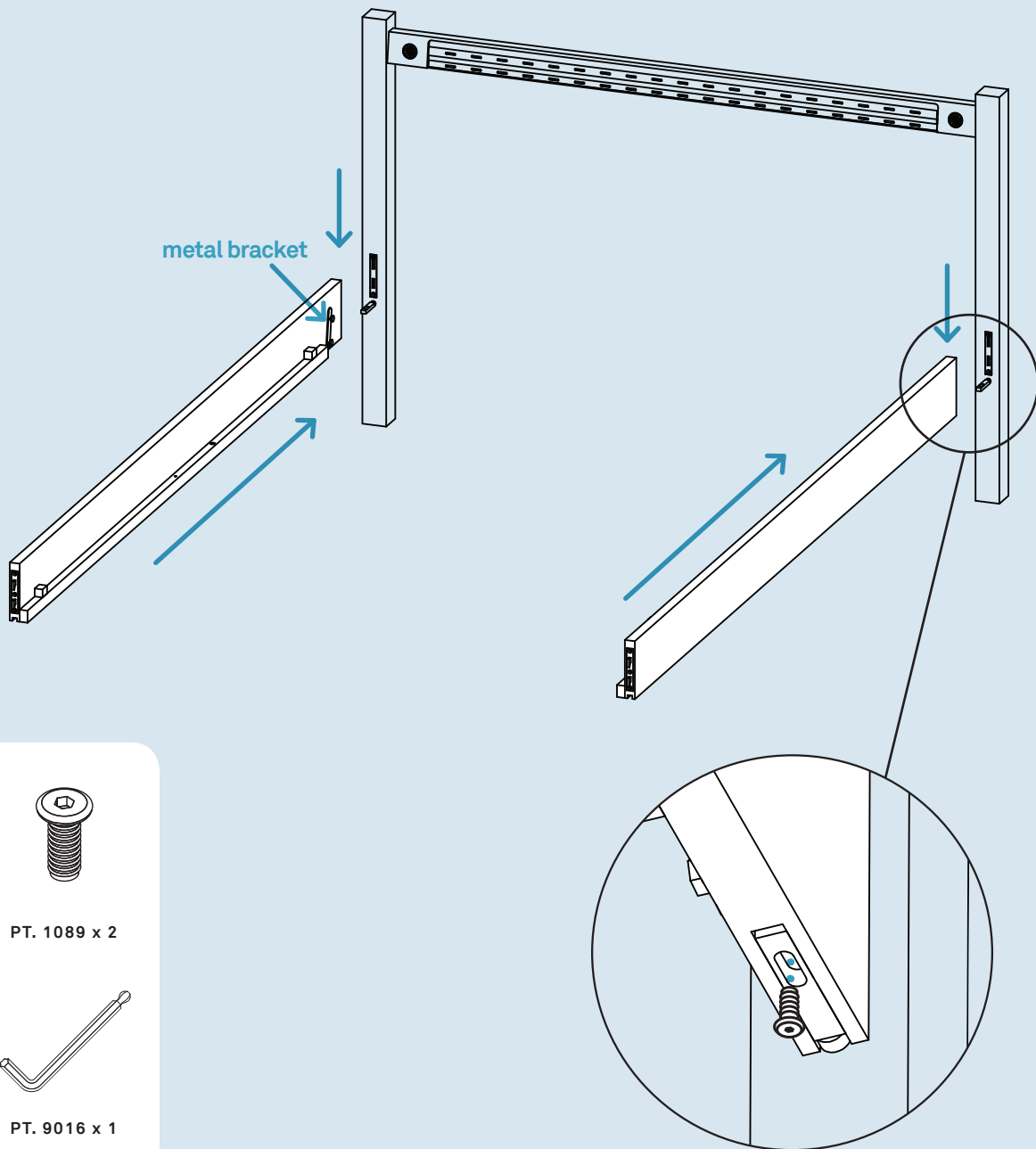


Step 07

ATTACH SIDE RAILS.

Attach the side rails as shown using pre-attached drop-in connectors. Once attached secure side rails using the provided hardware.

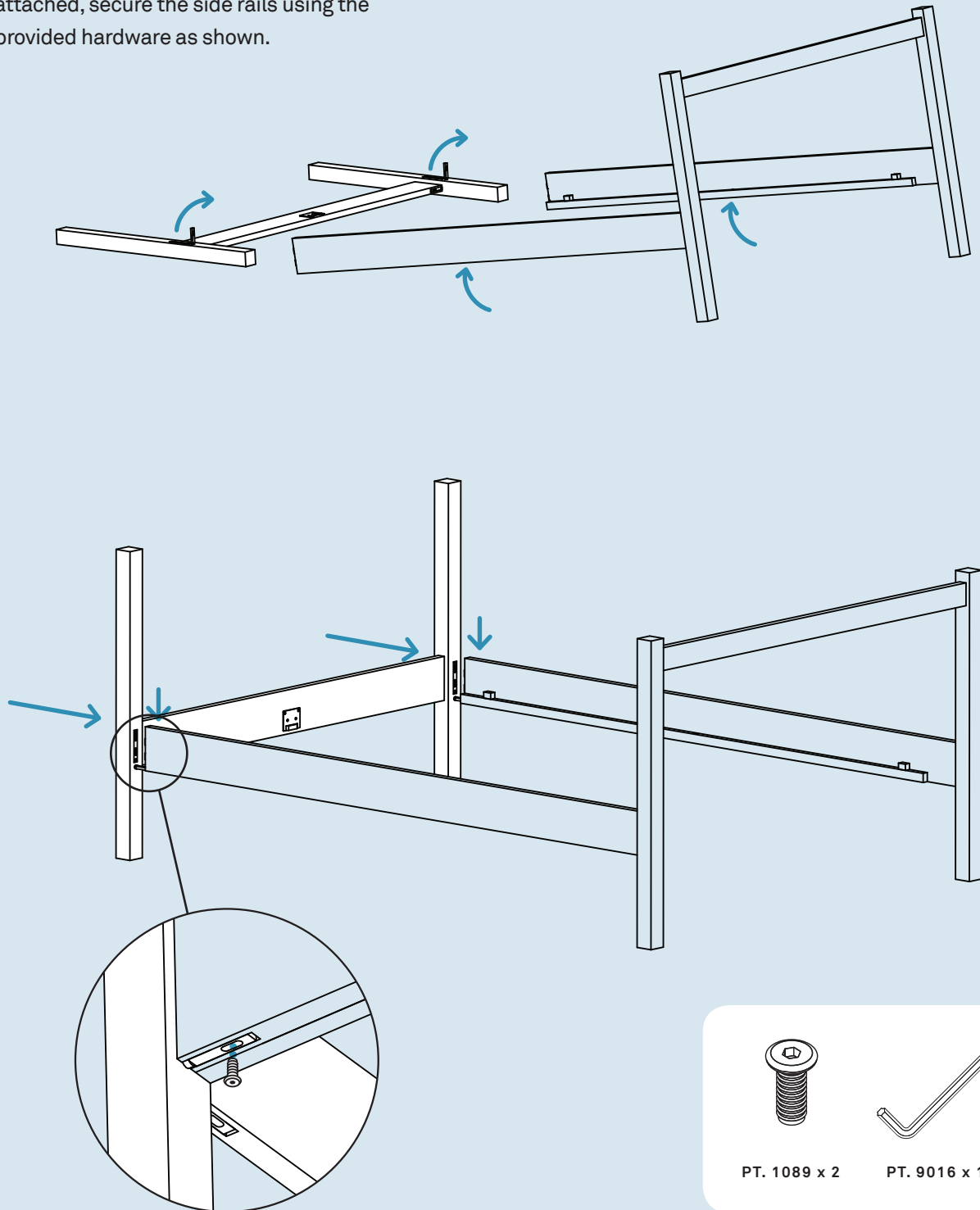
NOTE: Pre-attached metal brackets should be at headboard side of frame.



Step 08

ATTACH FOOTBOARD ASSEMBLY.

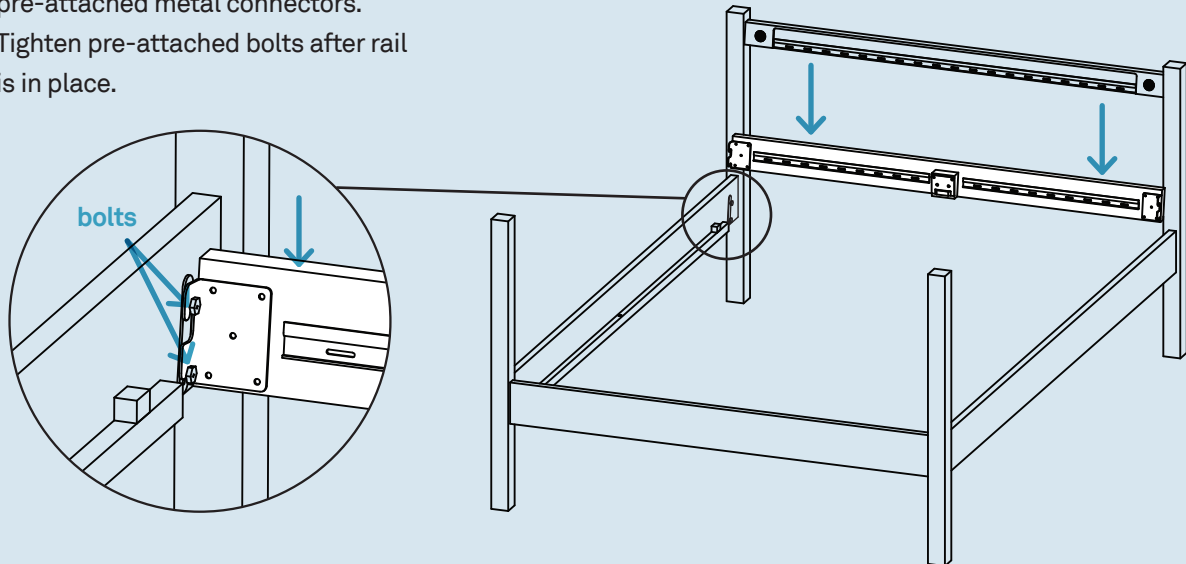
With a second person, lift the side rails and attach the footboard assembly using the pre-attached drop in connectors. Once attached, secure the side rails using the provided hardware as shown.



Step 09

ATTACH LOWER REAR RAIL.

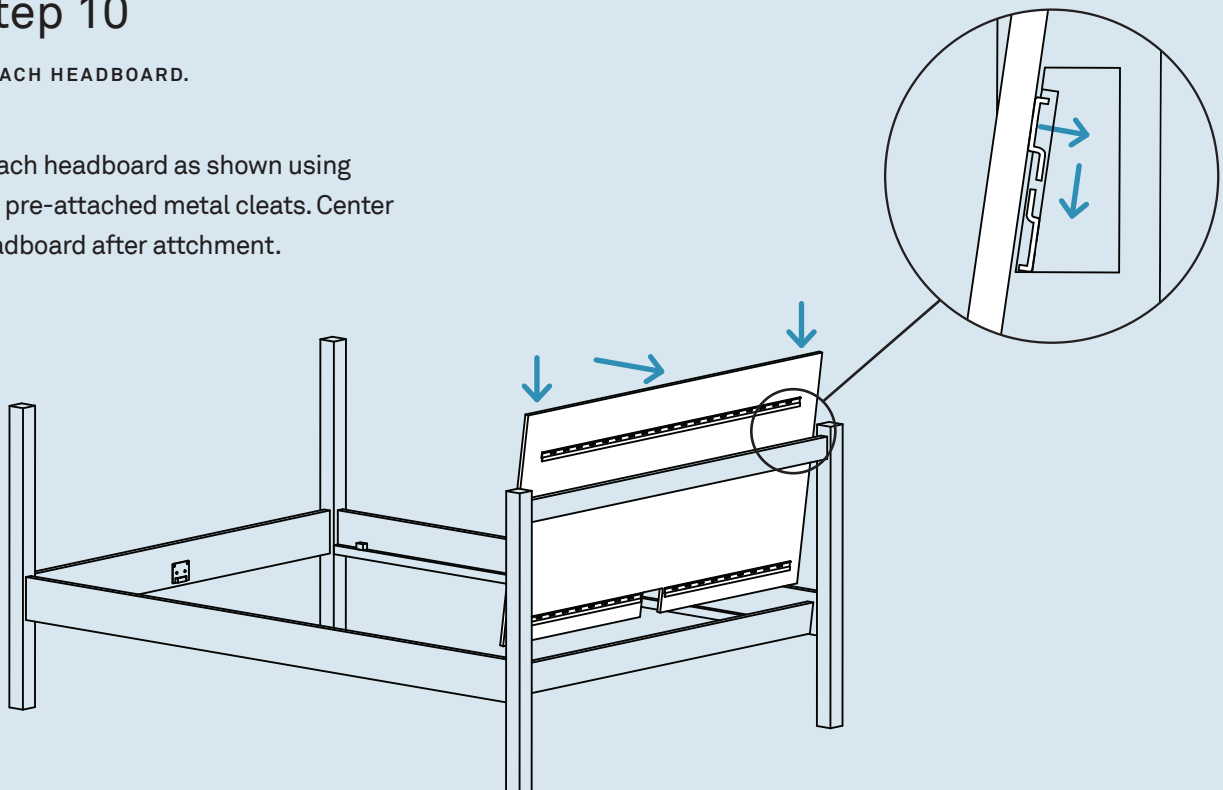
Attach the lower rear rail using the pre-attached metal connectors. Tighten pre-attached bolts after rail is in place.



Step 10

ATTACH HEADBOARD.

Attach headboard as shown using the pre-attached metal cleats. Center headboard after attachment.

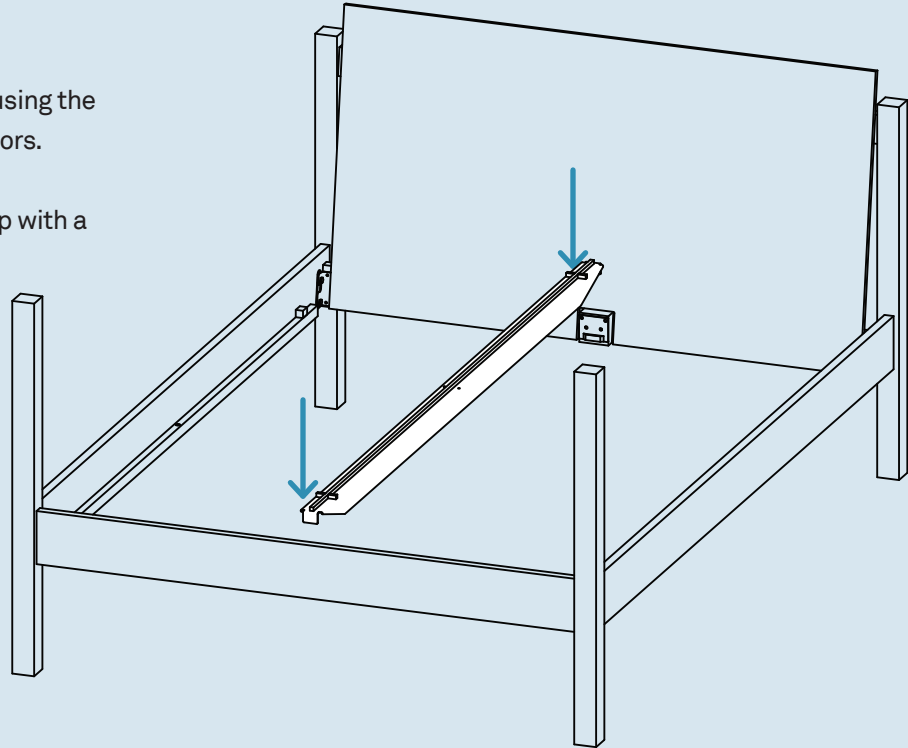


Step 11

INSTALL CENTER RAIL.

Install center rail as shown using the pre-attached metal connectors.

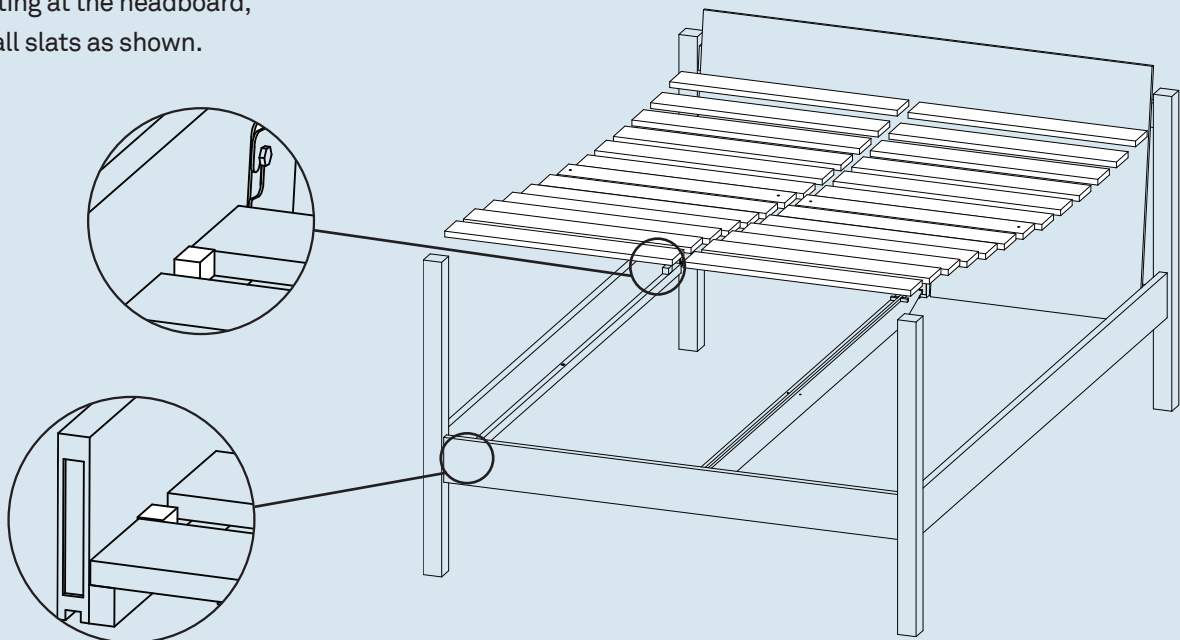
NOTE: Twin bed does not ship with a center rail.



Step 12

INSTALL SLATS.

Starting at the headboard, install slats as shown.

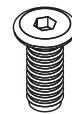
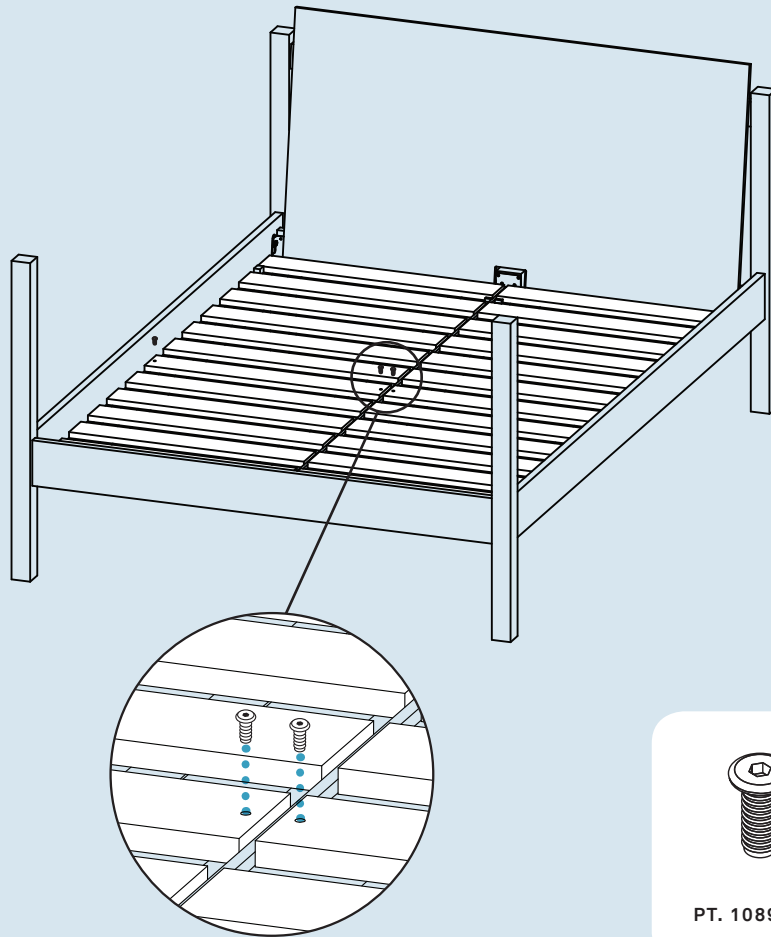


Step 13

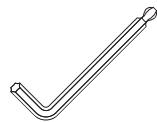
SECURE SLATS.

Secure slats as shown using the provided hardware.

NOTE: Twin bed ships with one set of slats and x2 fewer PT. 1089.



PT. 1089 x 4*



PT. 9016 x 1

Additional Information

CLEAN

Clean with a slightly damp, soft cloth. To remove dirt and fingerprints, use a quality cleaner formulate for wood furniture. Wipe completely dry with a soft cloth in the direction of the wood grain.

