

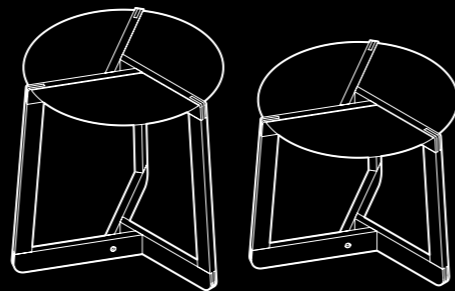
BLU
DOT

PI

SIDE TABLE

ASSEMBLY NOTES

DEEEEEE-
LICIOUS!

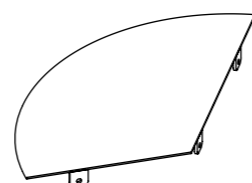
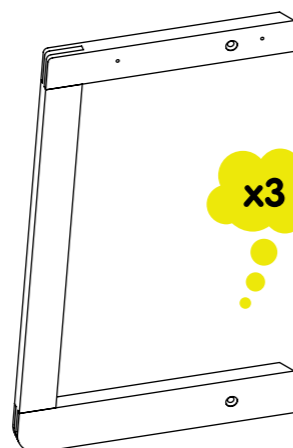


CARE

Clean powder-coated top with a soft cloth or sponge using a mild detergent, such as dish soap, and warm water. Wipe completely dry with a soft cloth.

Clean wood base with a slightly damp, soft cloth. To remove dirt and finger-prints, use a quality cleaner formulated for wood furniture. Wipe completely dry with a soft cloth in the direction of the wood grain.

PARTS



HARDWARE

x1
9003

x1
9004

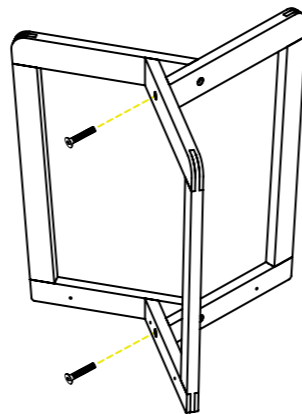
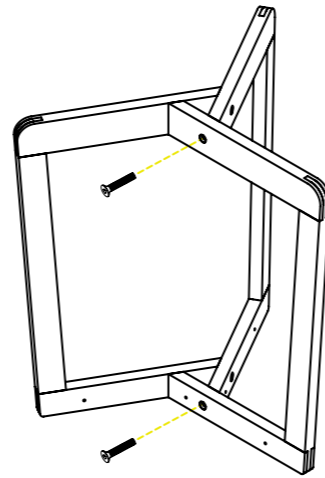
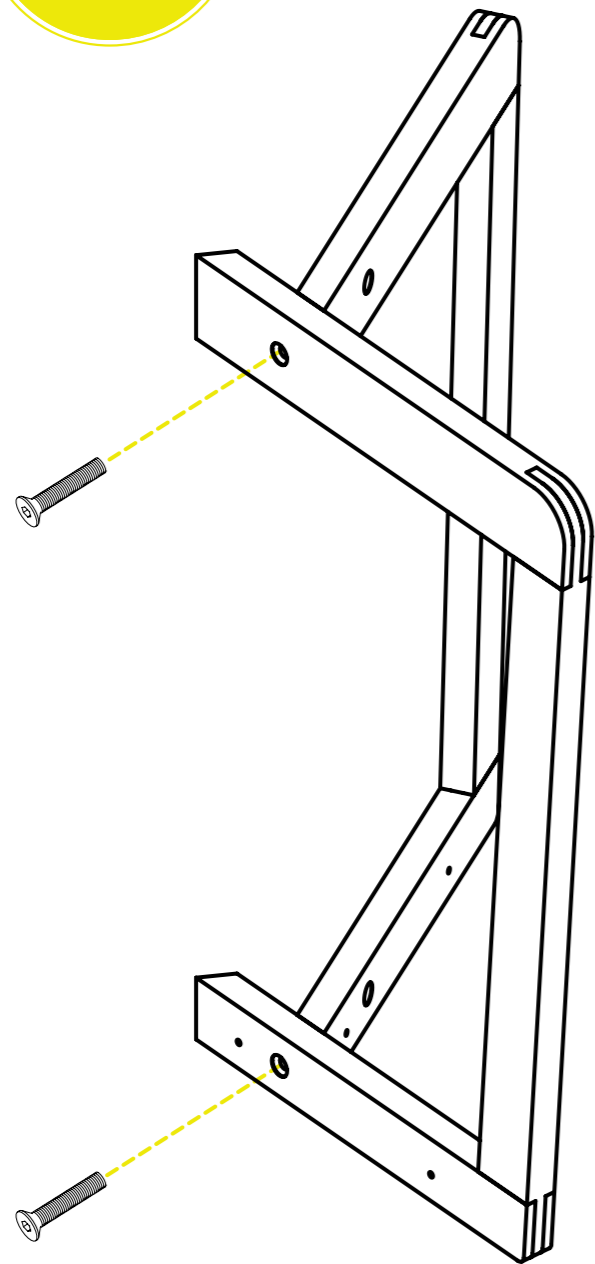
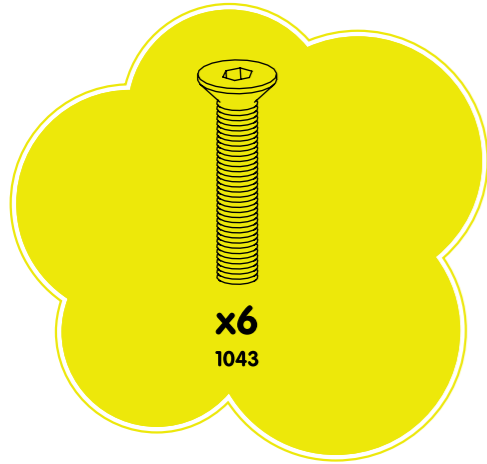
x9
3002

x9
1042

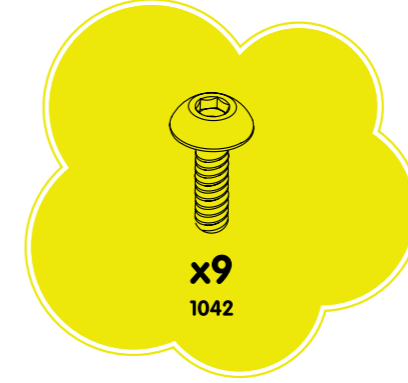
x6
1043

1

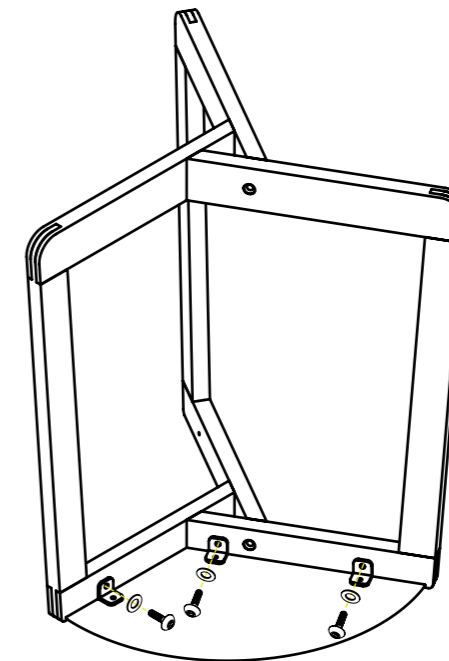
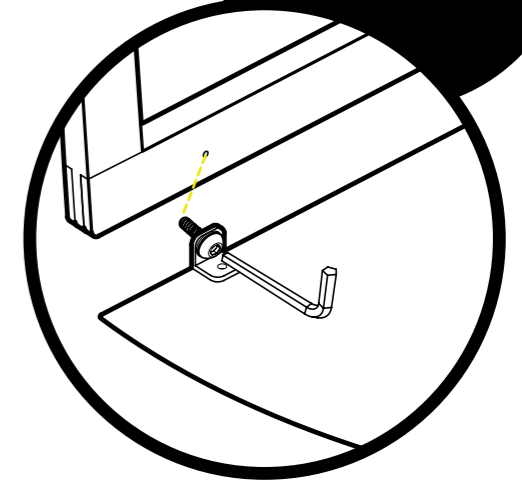
Assemble on carpet or protective mat.



2



Slide the bolt through the top panel. Then use the bolt to locate the threaded insert.



Repeat for all 3 panels, then flip the table rightside up.