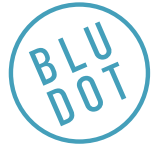
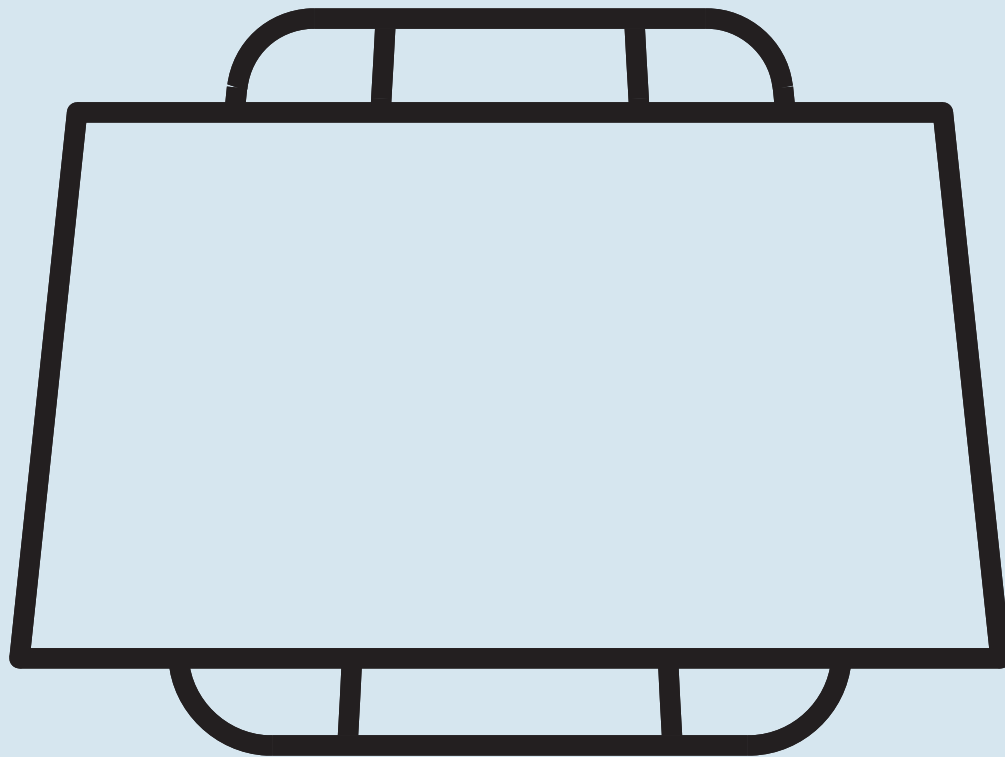


Perimeter Pendant Lamp



DESIGNED IN 2017

ASSEMBLY NOTES | REV 02



LIGHTEN UP BUTTERCUP

Svelte loops of powder-coated steel hold an oversized cloth-covered shade.

NEED A HAND?

Contact us at service@bludot.com or **844.425.8368** for assistance.

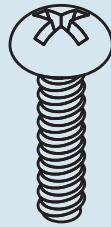
Parts & Hardware



QTY

2

PT. 1061



QTY

2

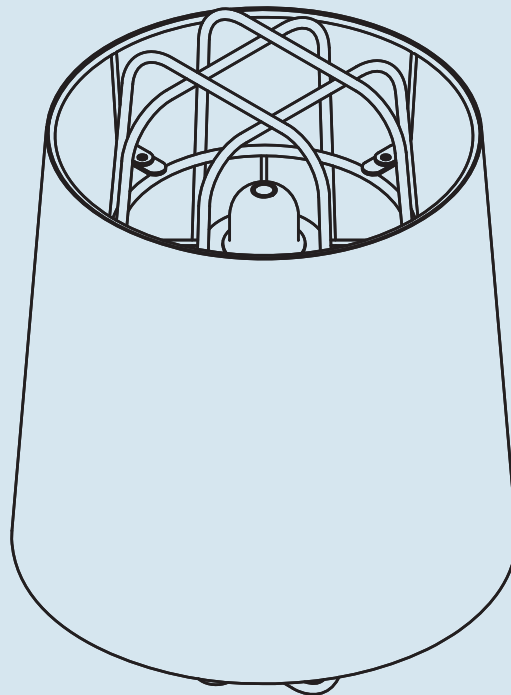
PT. 1060



QTY

3

PT. 8021



QTY

1

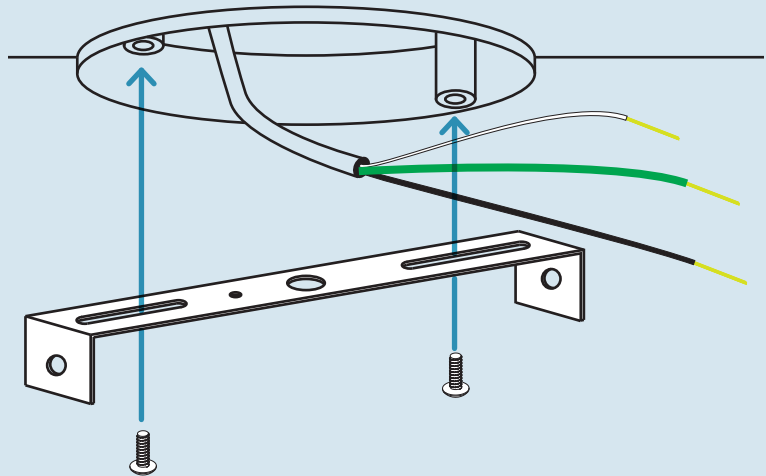
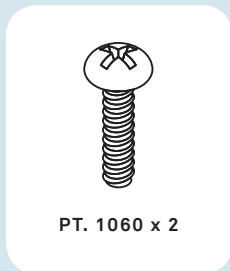
Pendant

NOTE: Electricity is dangerous. It is recommended to hire a professional electrician to install your lamp.

Step 01

ATTACH MOUNTING BRACKET.

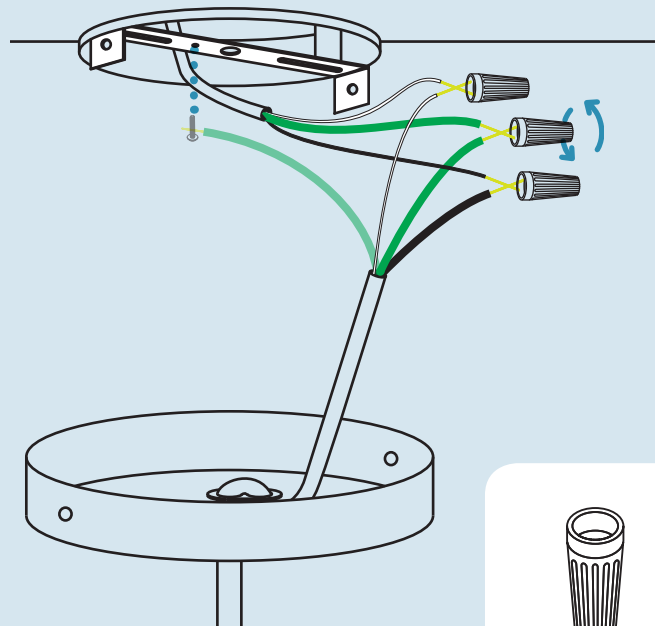
1. Disconnect power.
2. Attach mounting bracket to ceiling electrical box as shown using the provided hardware.



Step 02

HARDWIRE PENDANT.

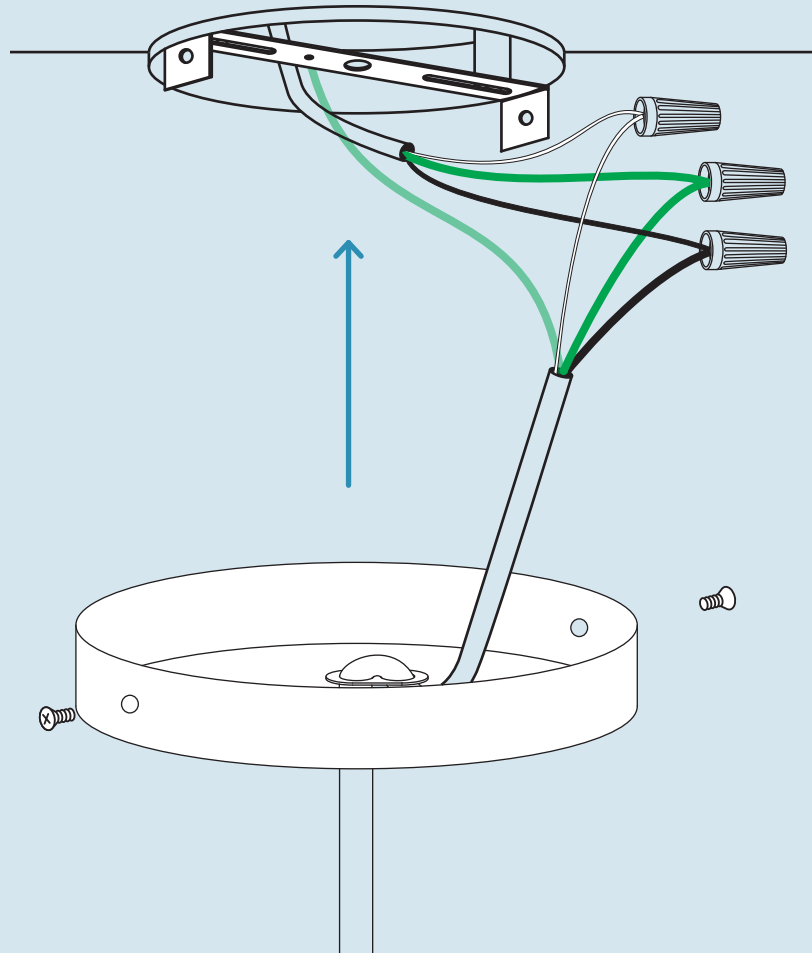
1. Cut pendant cord to desired length, allow 4" above canopy for wiring.
2. Twist matching copper wires together.
 - white to white
 - black to black
 - green to green
3. If no green wire (ground wire) is present in electrical box, wrap wire around pre-attached screw on mounting bracket and tighten into place.



Step 03

ATTACH CANOPY TO BRACKET.

1. Align vertical holes on mounting bracket with side canopy holes.
2. Attach as shown using the provided hardware.
3. Re-connect power.



PT. 1061 x 2

Additional Information

CLEAN

Clean powder-coated units with a soft cloth or sponge using a mild detergent, such as dish soap, and warm water. Wipe completely dry with a soft cloth.

