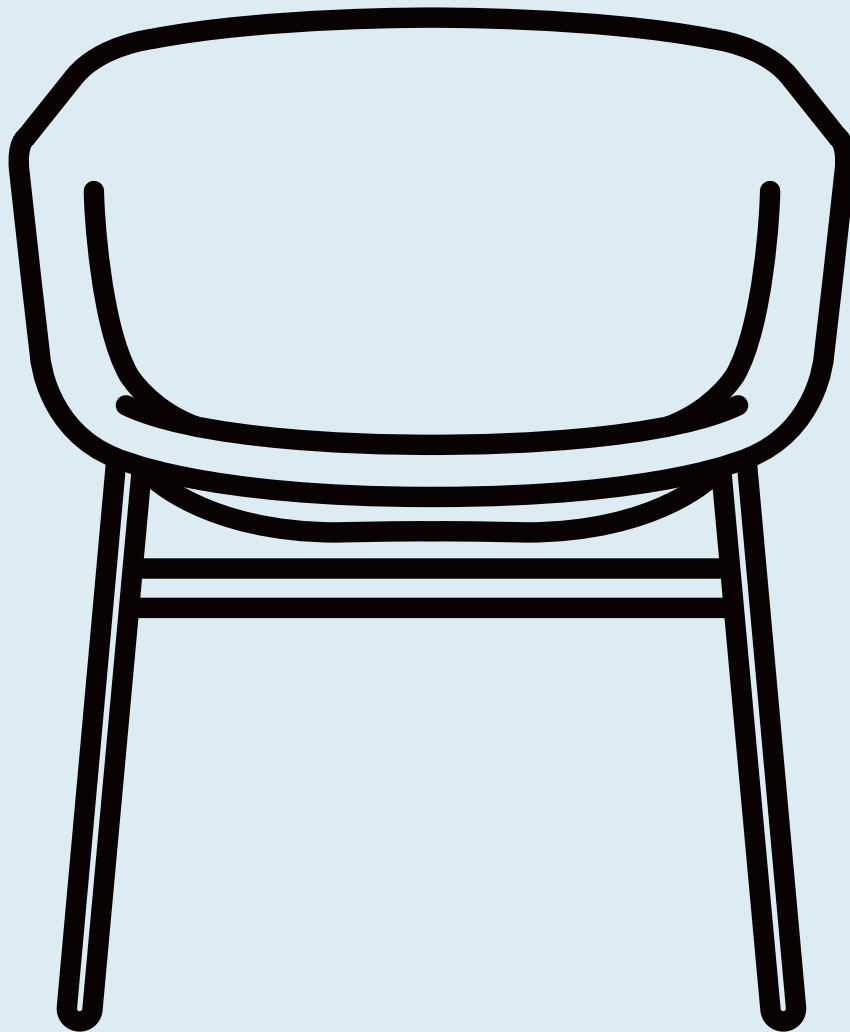
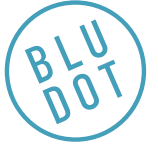


# Past Life Dining Chair

DESIGNED IN 2022

ASSEMBLY NOTES | REV 00



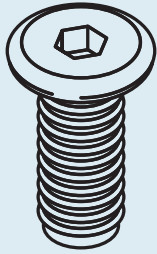
## NEED A HAND?

Contact us at [service@bludot.com](mailto:service@bludot.com) or  
**844.425.8368** for assistance.

## @BLUDOT

We design all our pieces in our Minneapolis studio. Follow  
along on Instagram for some sneak peeks into the process.

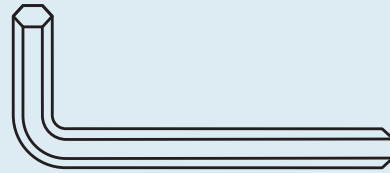
# Parts & Hardware



QTY

4

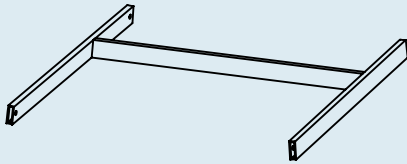
PT. 1074



QTY

1

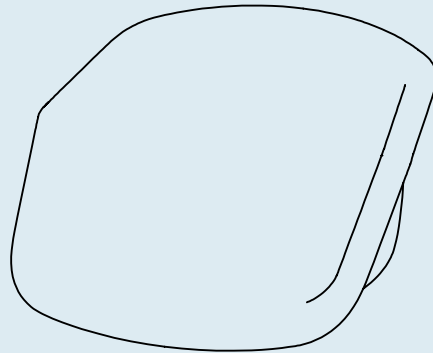
PT. 9001



QTY

1

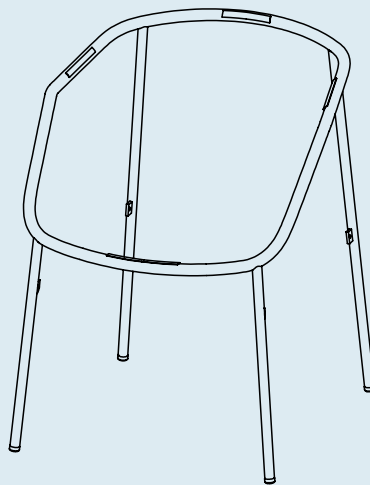
Stretcher



QTY

1

Shell



QTY

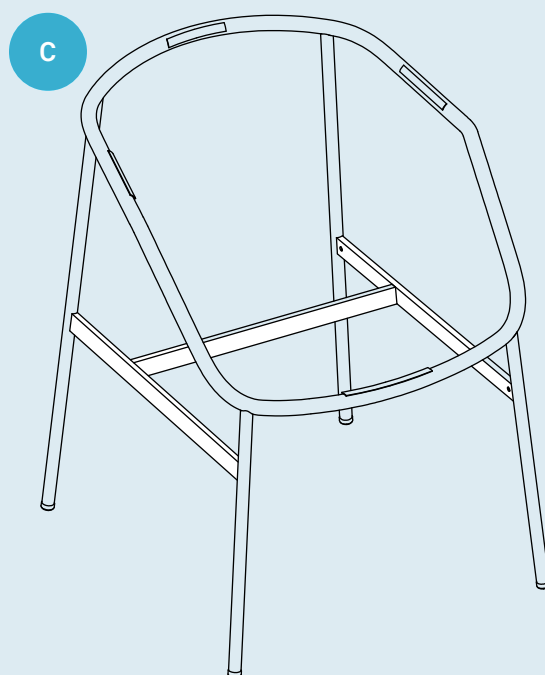
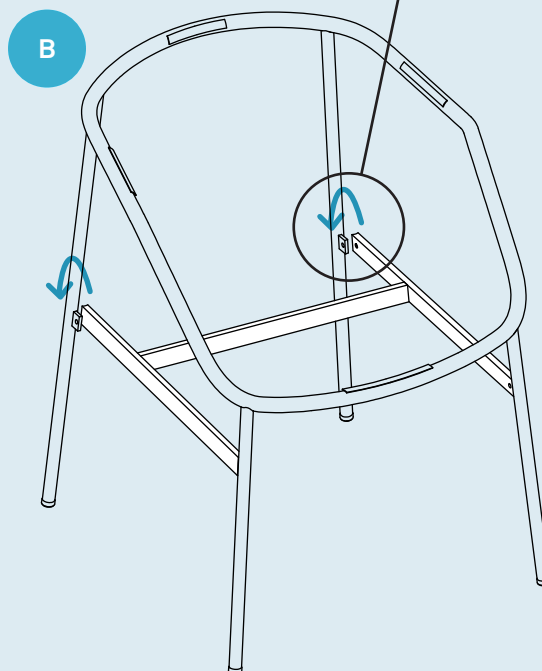
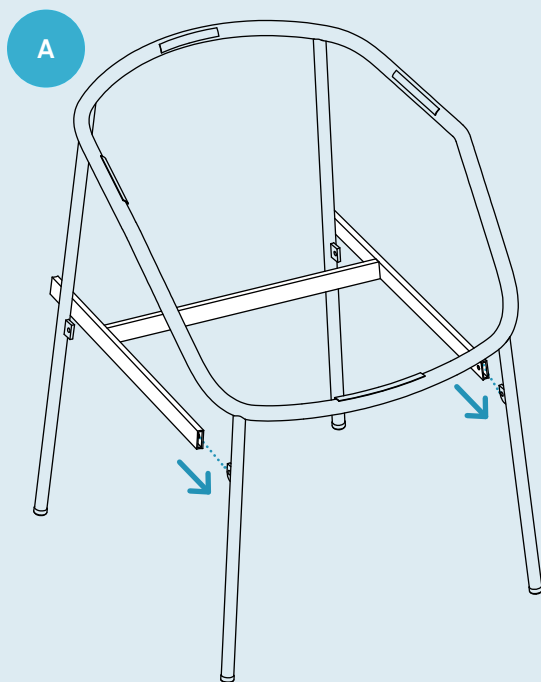
1

Base

# Step 01

## POSITION STRETCHER IN BASE

Angle the stretcher and insert it towards the front legs as shown, ensuring that the cutout slot on the rear end of the stretcher is facing down. Then, lift the rear end of the stretcher and carefully lower it into place on the rear legs.



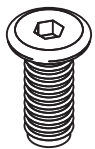
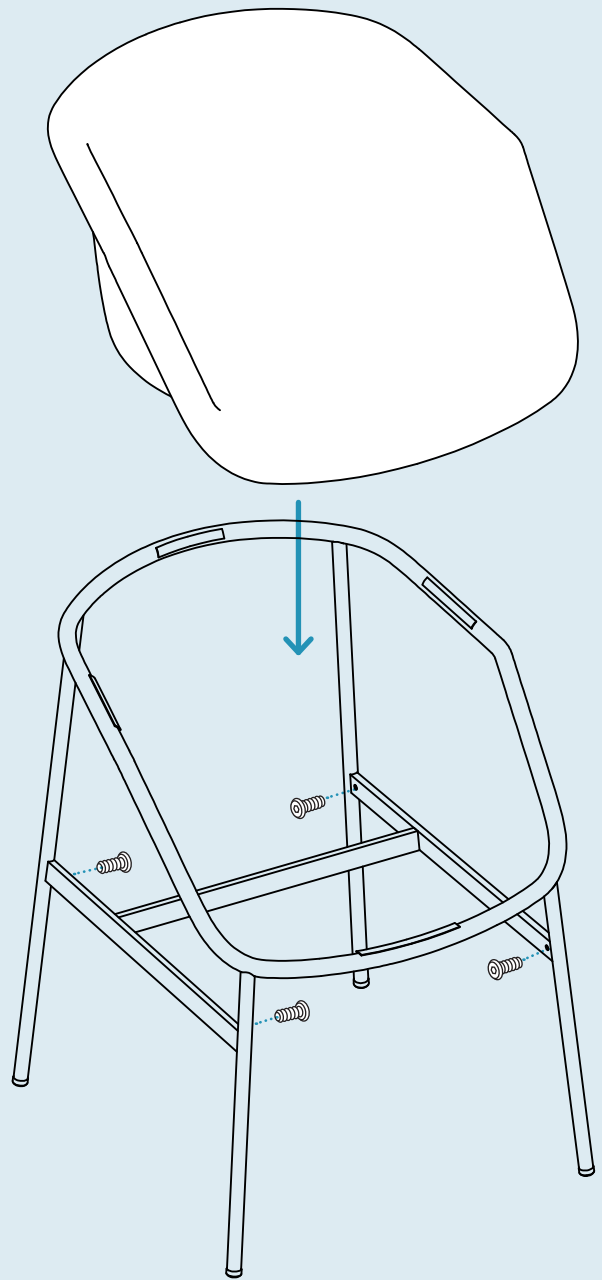
## Step 02

### SECURE STRETCHER

Secure the stretcher to the base using the hardware provided as shown.

Place shell onto base as shown to complete assembly.

Periodically re-tighten connections as needed.



PT. 1074 x 4



PT. 9001 x 1

### CLEAN METAL

Clean with a slightly damp, soft cloth. To remove dirt and fingerprints, use a quality cleaner formulated for metal furniture. Wipe completely dry with a soft cloth.

### CLEAN PET FELT

If soiling should occur, please spot clean with warm soapy water.

