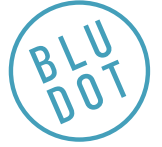
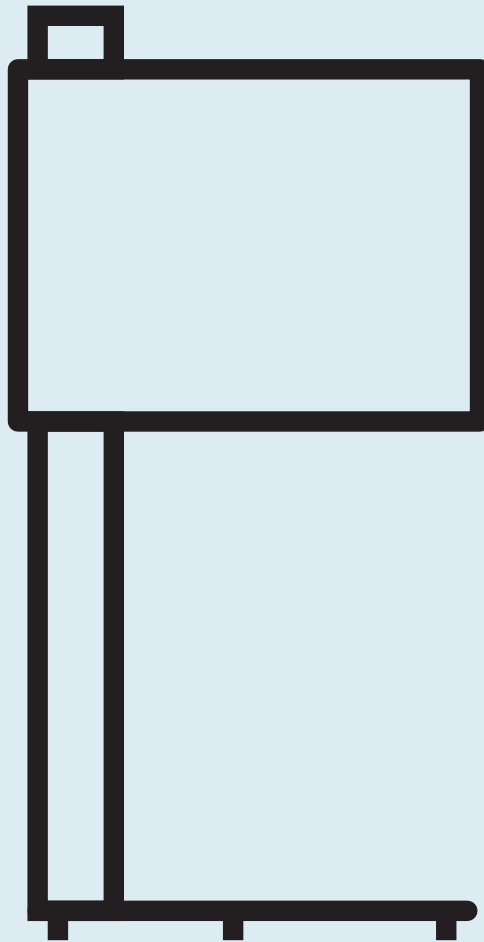


Note Table Lamp



DESIGNED IN 2015

ASSEMBLY NOTES | REV 01



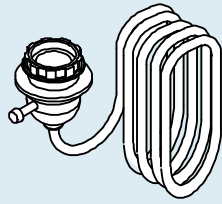
GET WELL LIT.

A slender yet substantial steel spine allows a linen shade to hover above a round steel cantilevered base.

NEED A HAND?

Contact us at service@bludot.com or **844.425.8368** for assistance.

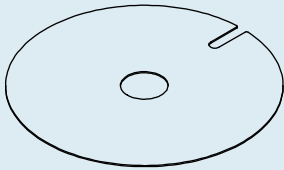
Parts & Hardware



QTY

1

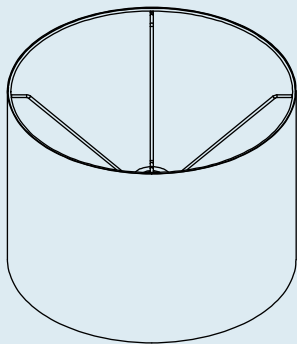
Socket



QTY

1

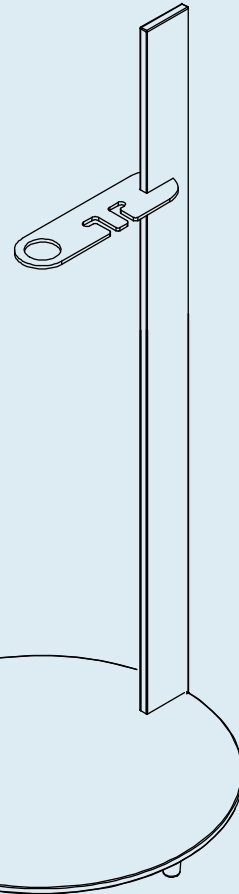
Diffuser



QTY

1

Shade



QTY

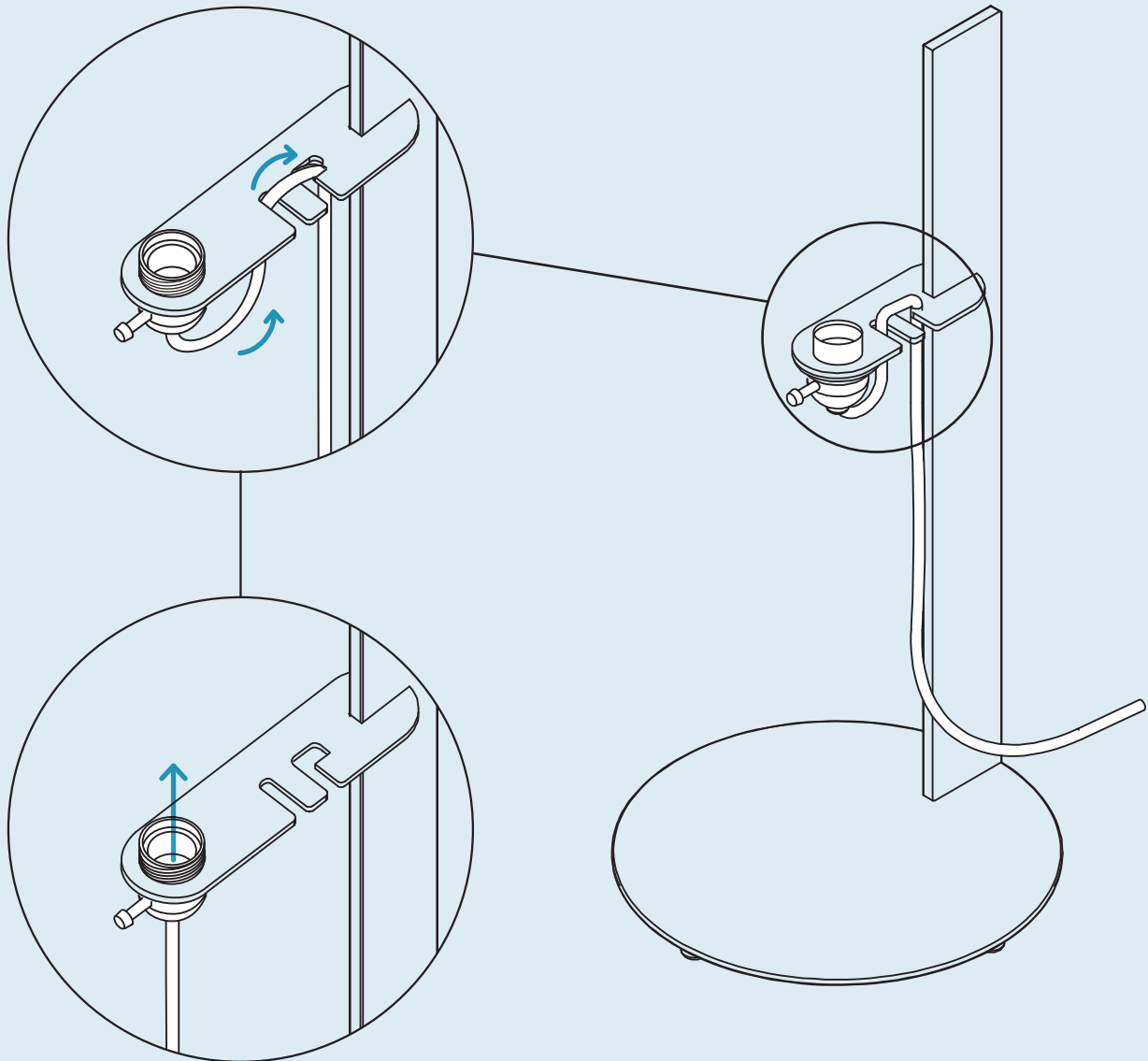
1

Base

Step 01

INSTALLING THE SOCKET.

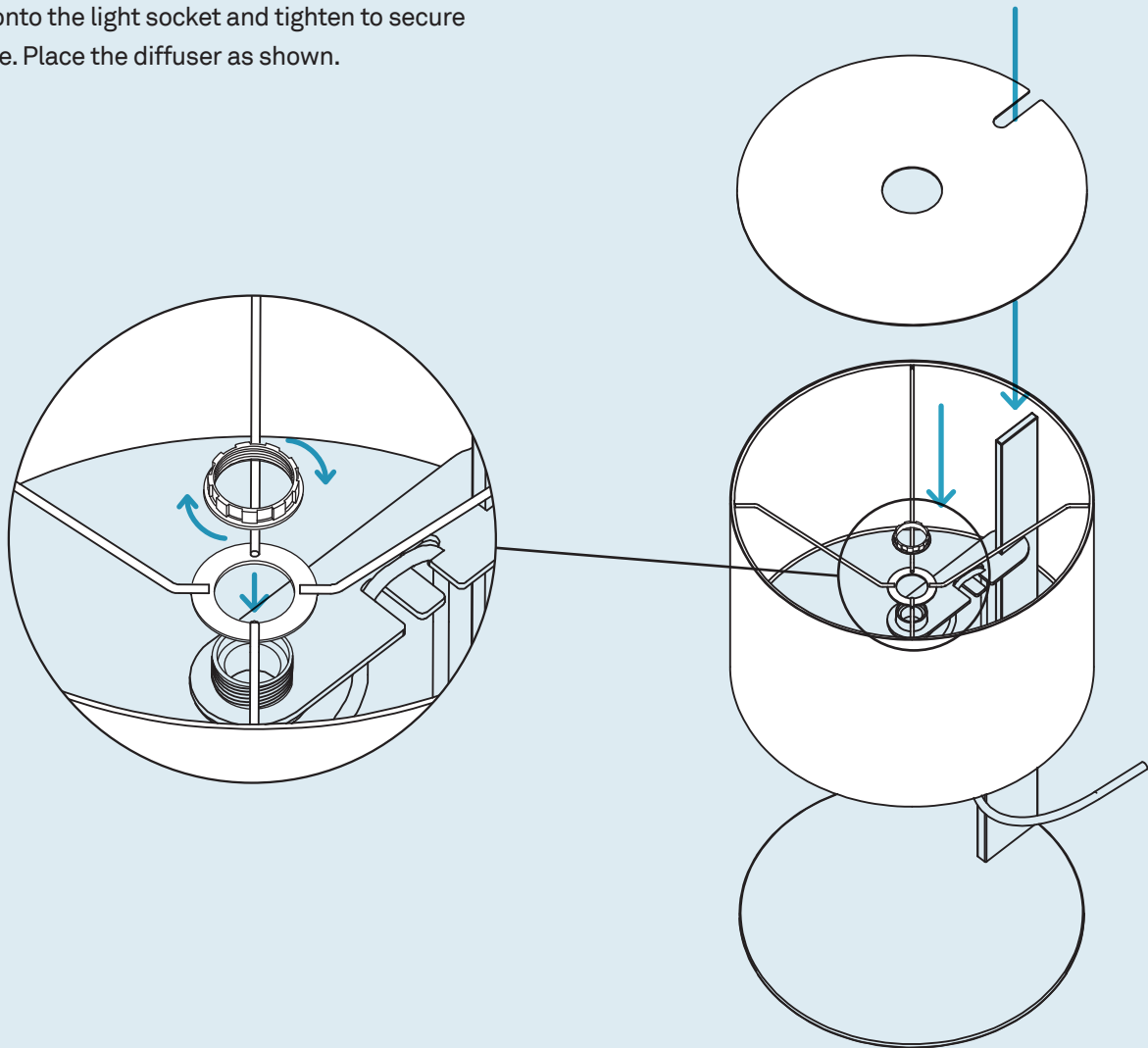
Begin installation by pushing socket up through round housing. Next, thread cord onto brace as shown.



Step 02

INSTALLING THE SHADE.

Place the shade as shown. Thread the shade ring onto the light socket and tighten to secure shade. Place the diffuser as shown.



Additional Information

NOTE

A light bulb (E-26 9W LED) is provided.

CLEAN

Unplug lamp prior to cleaning. Clean with a high quality cleaner formulated for painted products.

