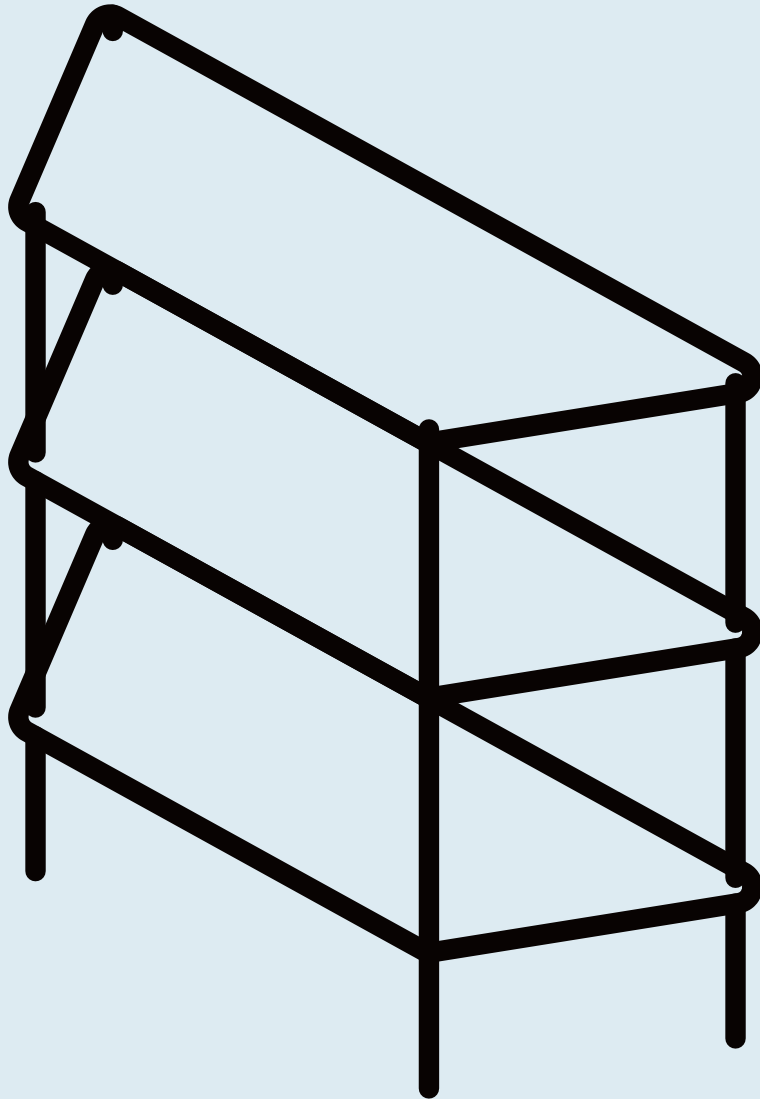
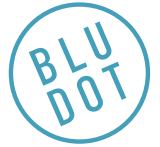


Not For Nothing

DESIGNED IN 2021

ASSEMBLY NOTES | REV 01



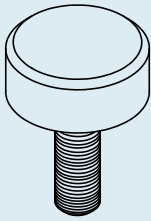
NEED A HAND?

Contact us at service@bludot.com or
844.425.8368 for assistance.

@BLUDOT

We design all our pieces in our Minneapolis studio. Follow
along on Instagram for some sneak peeks into the process.

Parts & Hardware



QTY

4*

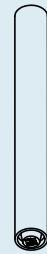
QTY

4*

QTY

8*

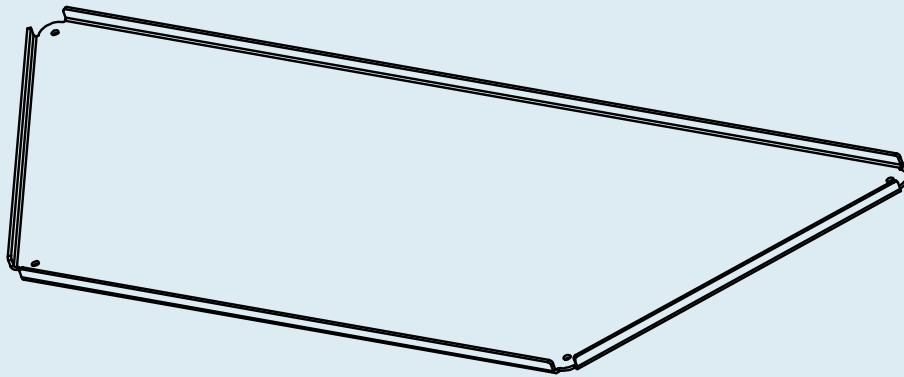
Top Cap



Leg



Upright



QTY

3

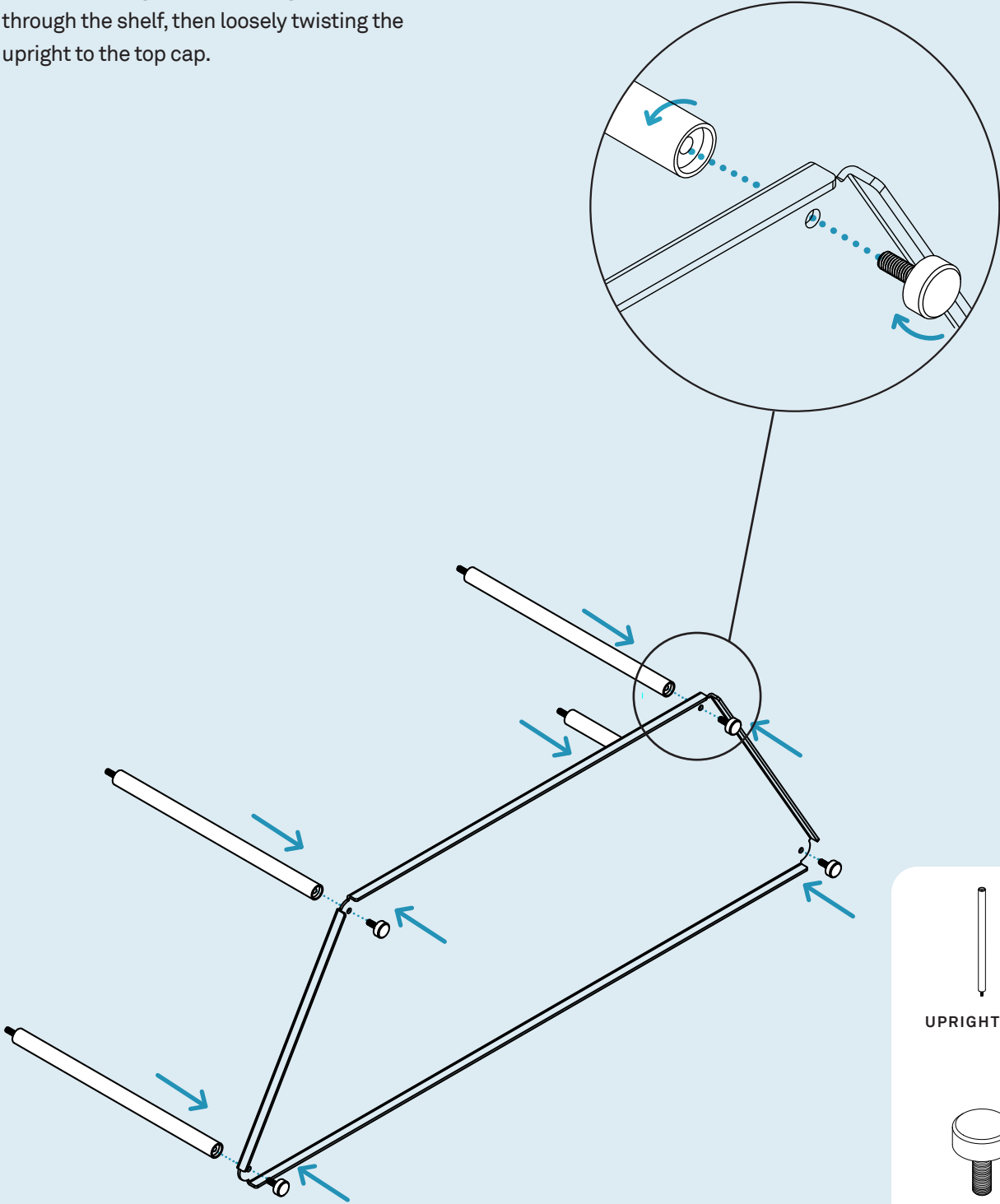
Shelf*

*The Small Shelf has three legs and six uprights along with a triangle shaped shelf.
The Small Two Shelf comes with three legs and uprights, with a triangle shaped shelf.

Step 01

ASSEMBLING THE TOP SHELF.

Install the uprights by inserting the top cap through the shelf, then loosely twisting the upright to the top cap.



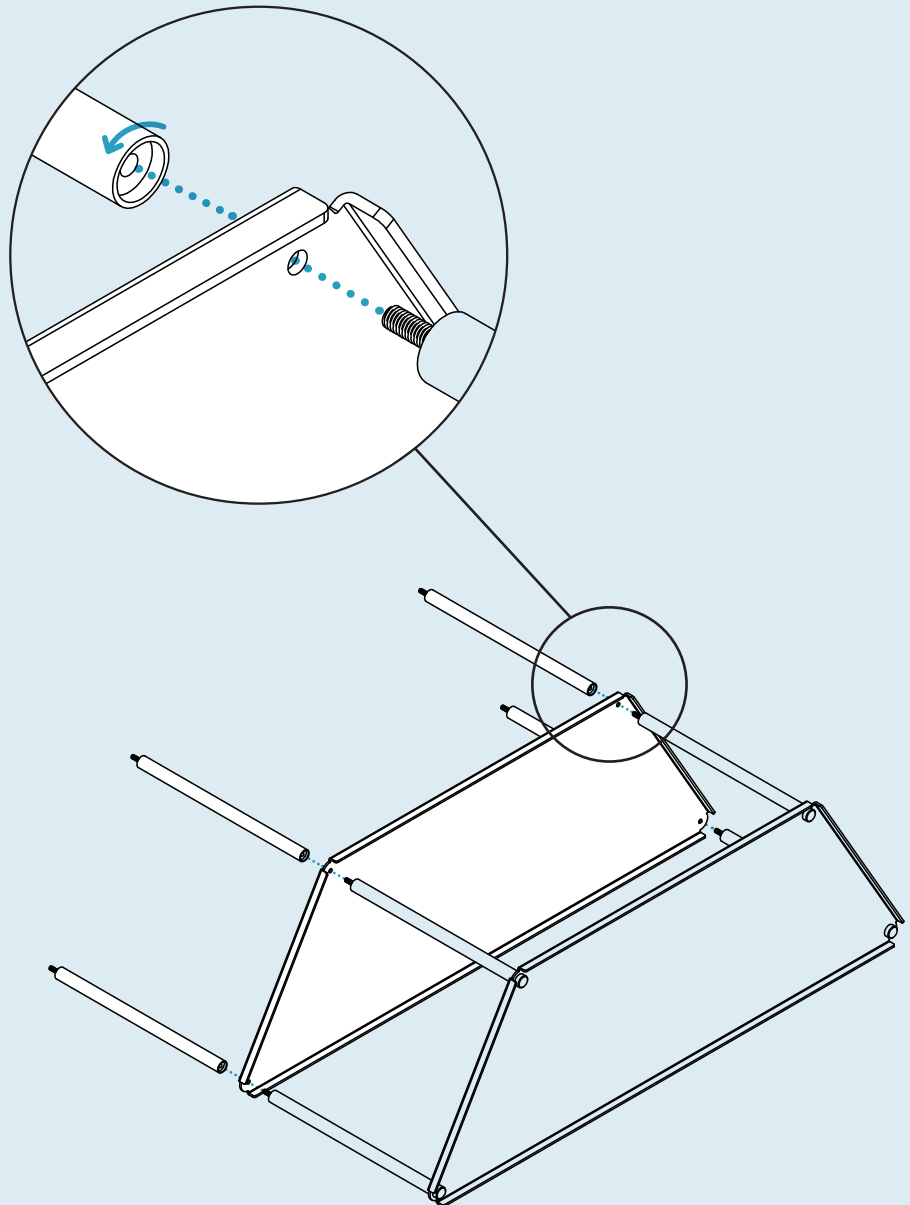
UPRIGHT X 4*

TOP CAP X 4*

Step 02

ATTACHING THE MIDDLE SHELF.

Install the middle shelf by, first, inserting the uprights from step one into the shelf, then loosely twist on the second set of uprights.

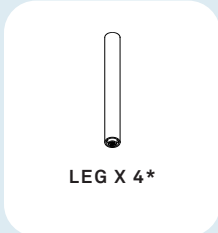
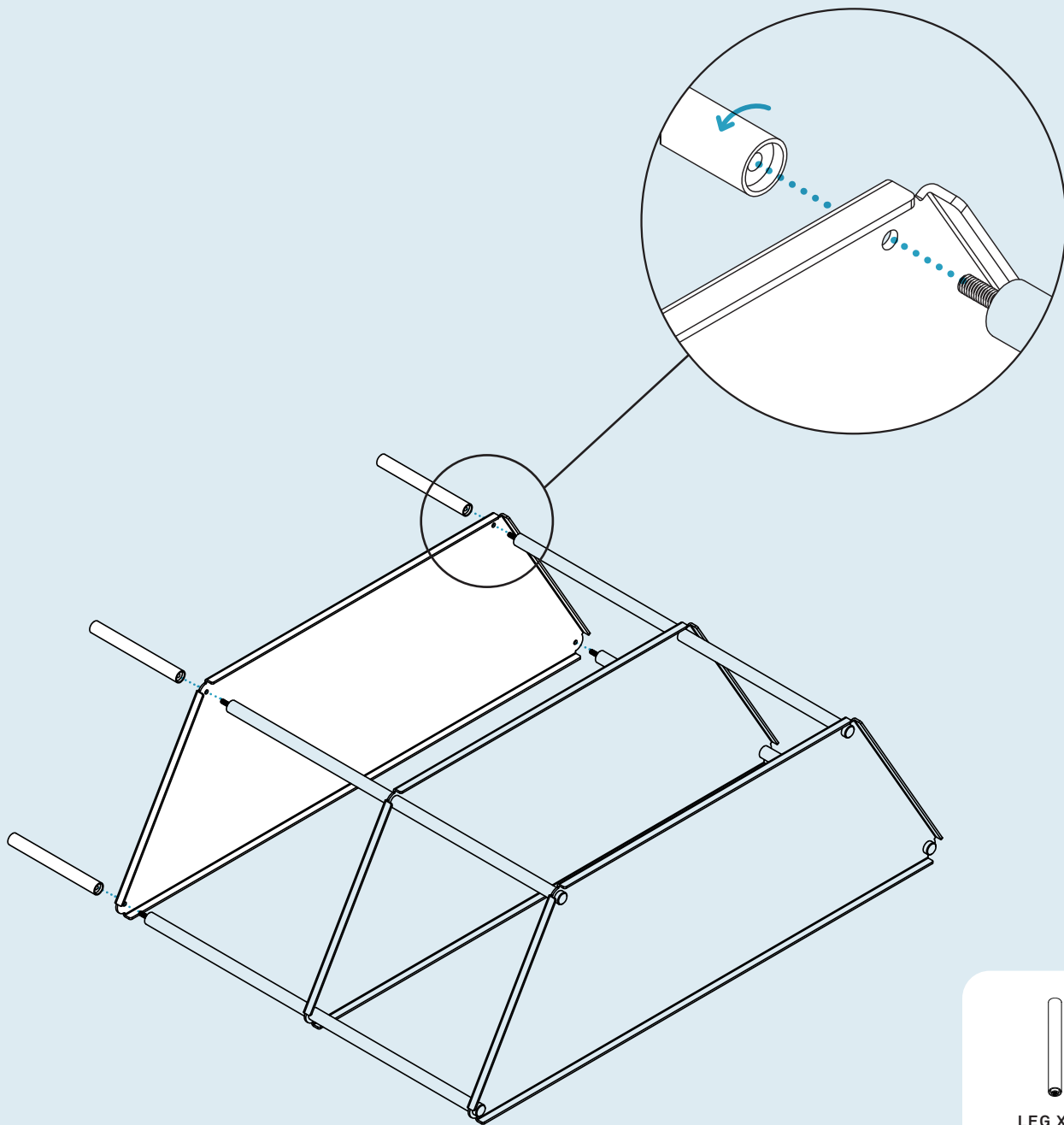


UPRIGHT x 4*

Step 03

ATTACHING THE BOTTOM SHELF AND LEGS.

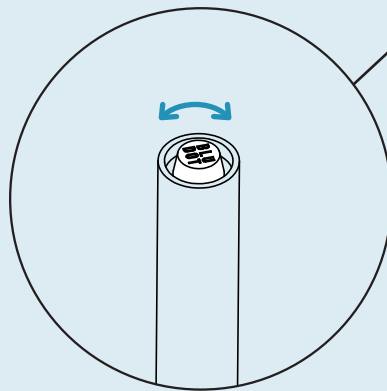
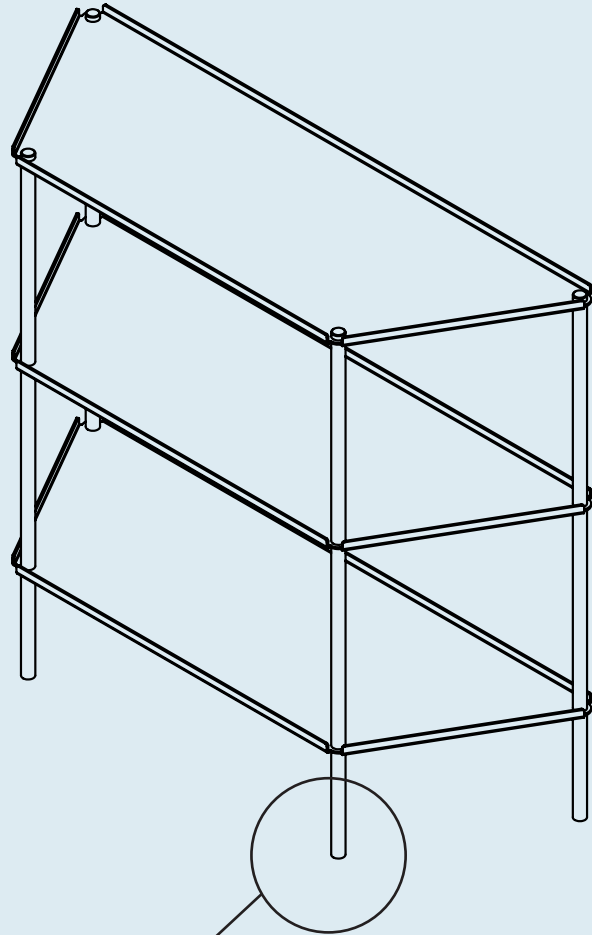
Install the bottom shelf by, first, inserting the uprights from step two into the shelf, then loosely twist on the legs at each of the corners.

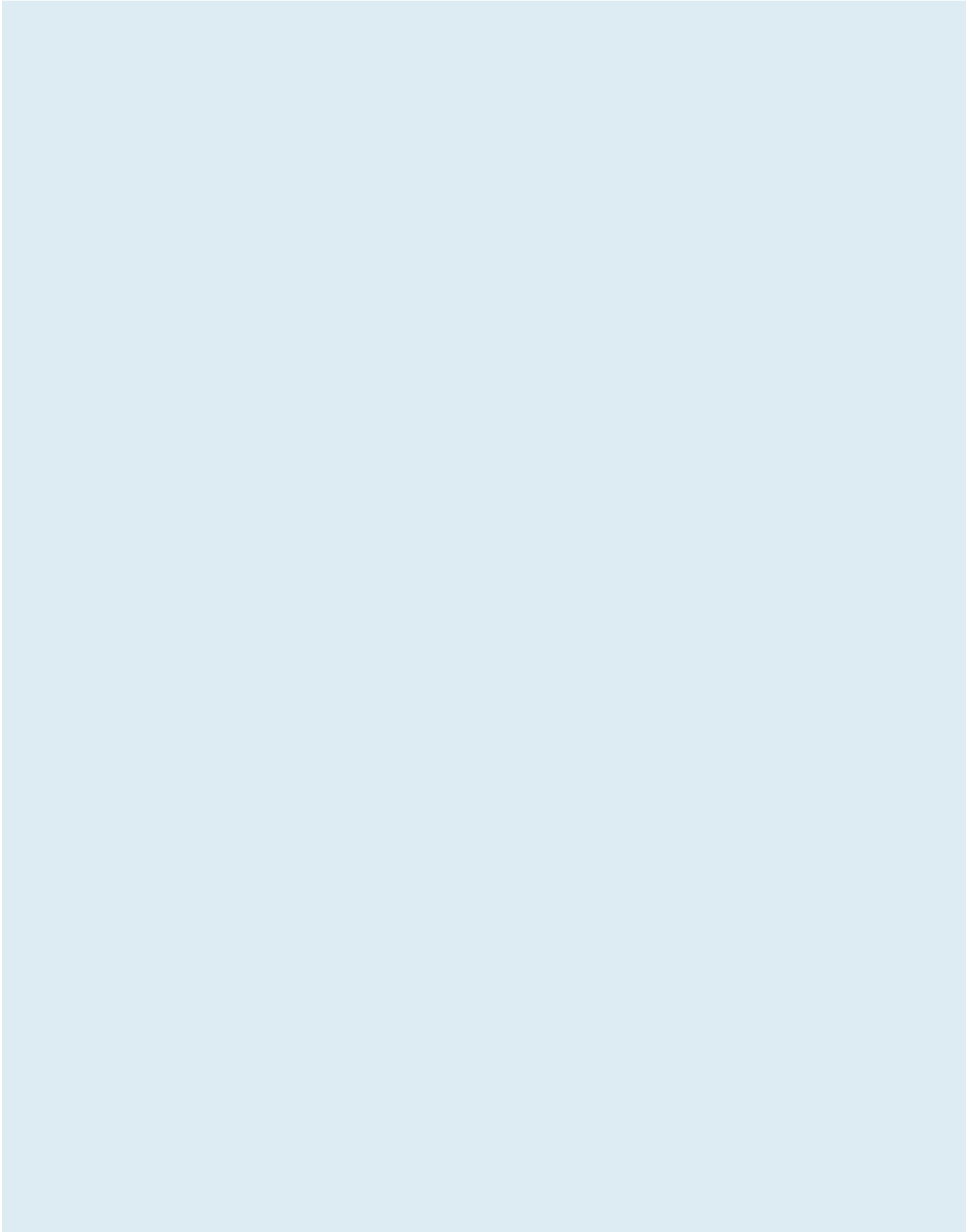


Step 04

TIGHTEN AND LEVEL.

Stand the shelves upright.
Tighten the uprights, then the legs, working from the top down. If shelf is wobbly adjust the glides on the bottom of each leg until sturdy.





Additional Information

CLEAN

Clean with a slightly damp, soft cloth. To remove dirt and fingerprints, use a quality cleaner formulated for metal furniture. Wipe completely dry with a soft cloth.

