

BLU  
DOT

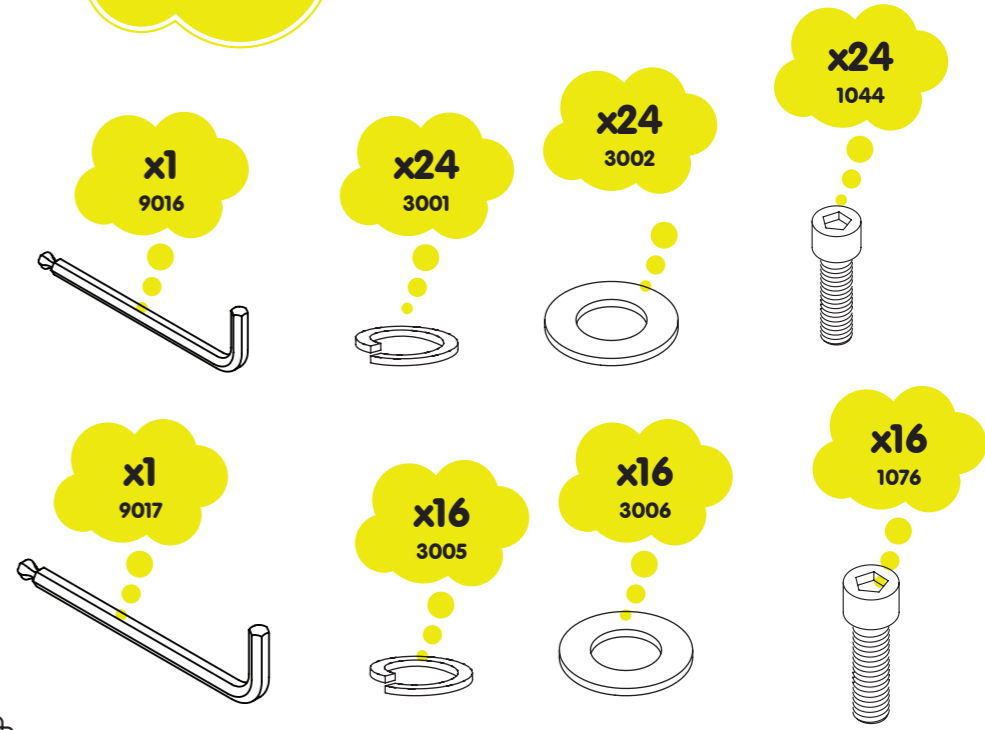
# THE NEW STANDARD BED

ASSEMBLY NOTES

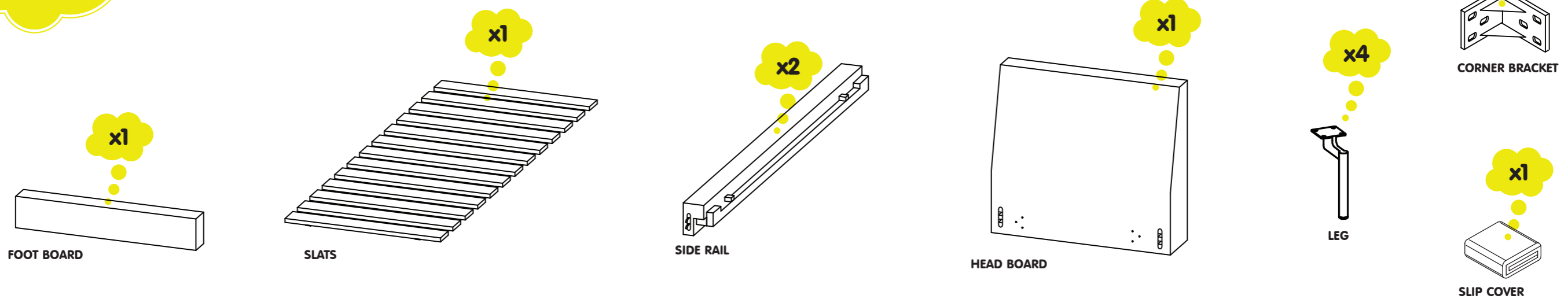
MODERN  
CONNECTIONS  
MADE EASY



## HARDWARE



## PARTS



**1** Remember to use the buddy system: assembling The New Standard takes two.

**x16 3006**  
**x16 3005**  
**x16 1076**  
**x1 9017**

**2** Partially tighten bolts.

**x12 3002**  
**x12 3001**  
**x12 1044**  
**x1 9016**

**3** Engage side rail hooks before fastening corner bracket bolts.

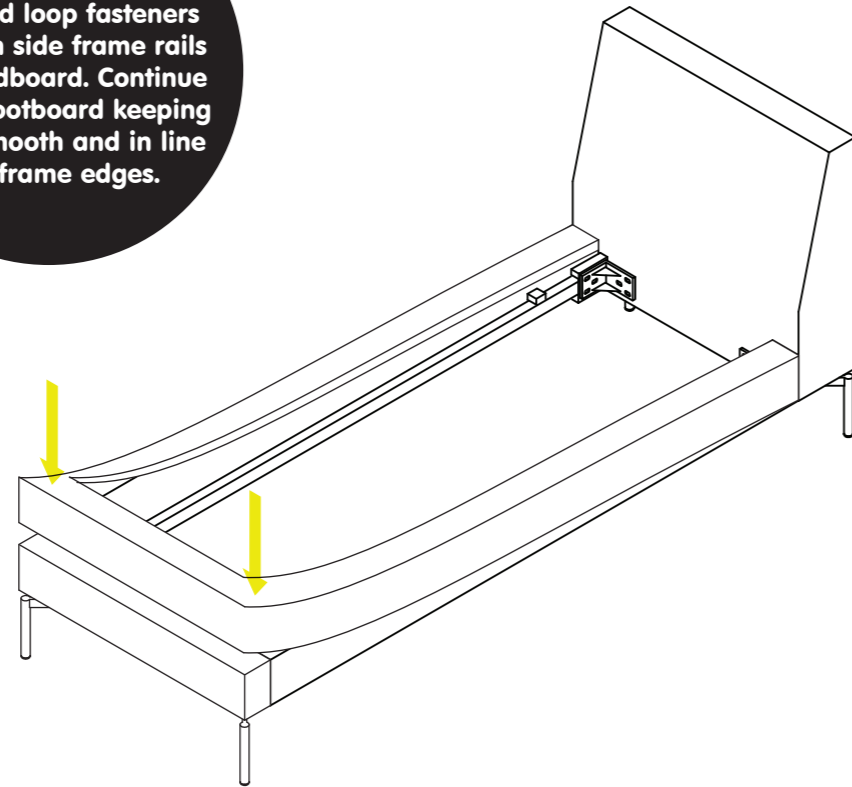
Partially tighten bolts.

**x12 3002**  
**x12 3001**  
**x12 1044**  
**x1 9016**

Push down on side rails to engage hooks.

4

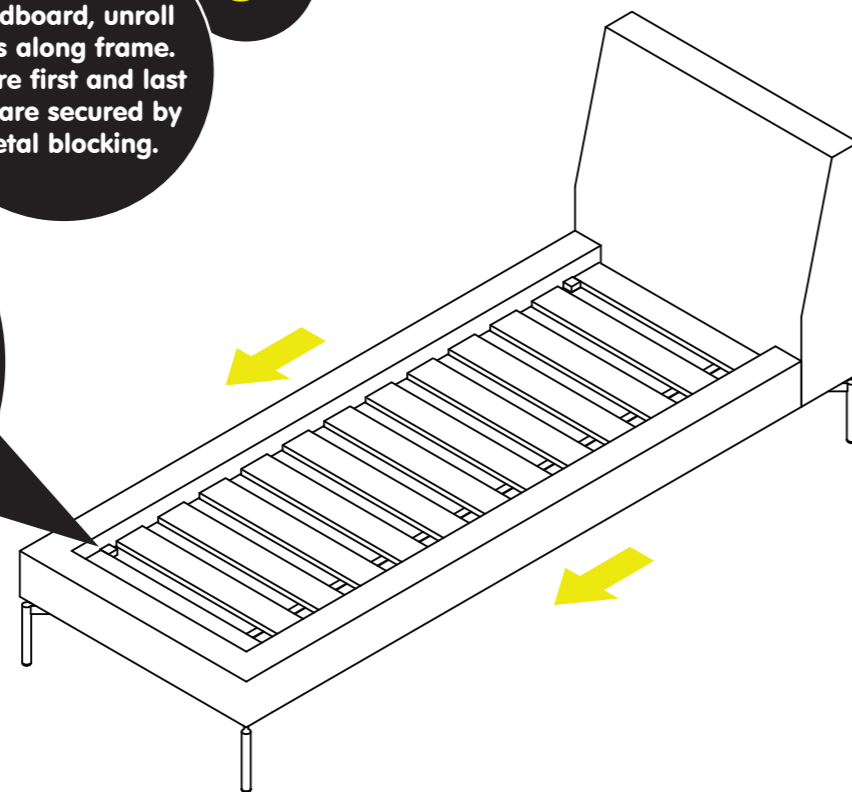
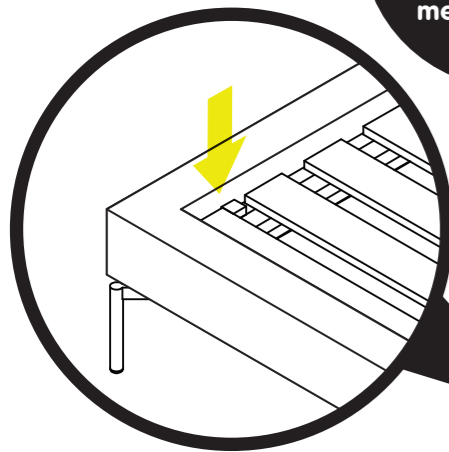
Starting at headboard, secure hook and loop fasteners between side frame rails and headboard. Continue toward footboard keeping edges smooth and in line with frame edges.



Finish tightening all bolts before continuing.

5

Starting at headboard, unroll slats along frame. Ensure first and last slat are secured by metal blocking.



## UPHOLSTERY & FELT CARE

KEEP IT CLEAN, JIMMY!

### CLEAN

Vacuum your upholstery regularly.

### SPILLS

Act quickly with spills. Absorb the spill with a clean white cloth or paper towel. Never rub the surface. Do not use water or other liquids to clean, as they may stain the fabric. Consult a commercial cleaning specialist for removal of stubborn stains.

### AVOID

Keep upholstery & felt furniture out of direct sunlight and away from heat sources; excessive exposure to sunlight may fade the color of the upholstery. Avoid placing heavy or sharp objects on the furniture surface for long periods of time; this can cause permanent indentations in the fabric. For snags in the fabric, tuck loose threads into fabric or carefully push to reverse side. Never pull out or cut off loose threads.