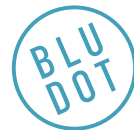
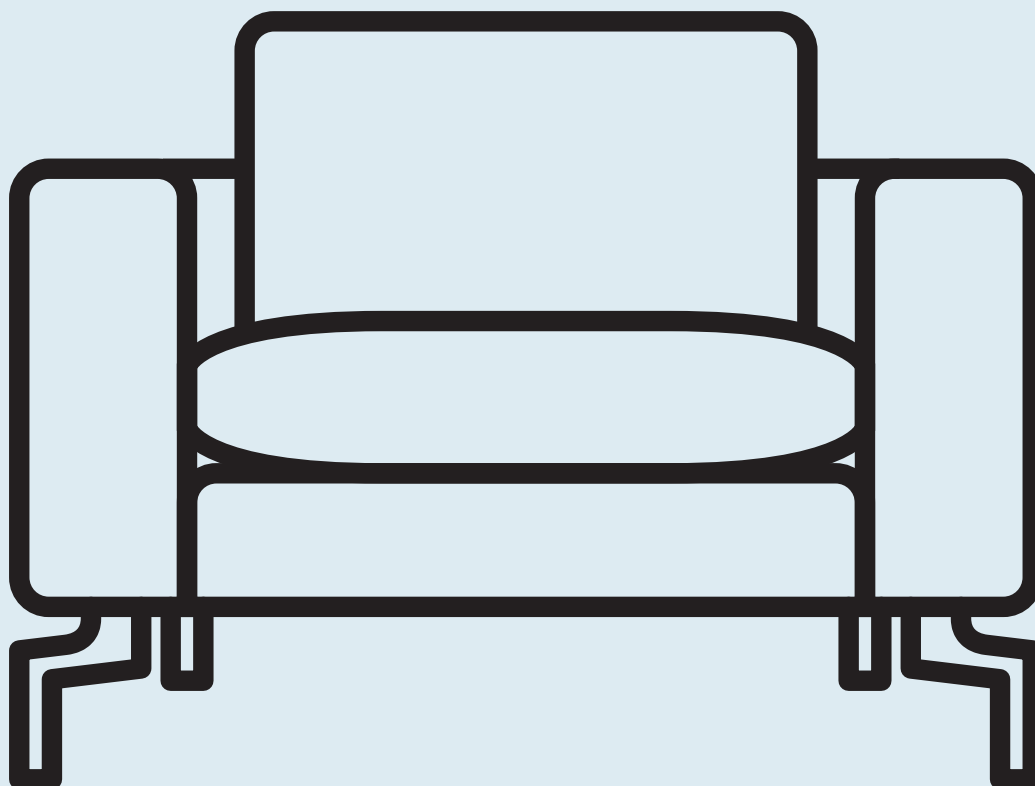


The New Standard Collection



DESIGNED IN 2014

ASSEMBLY NOTES | REV 01



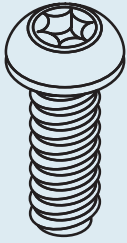
MEAT AND POTATOES JUST GOT A SIDE OF "HOT DAMN!"

The New Standard is simplicity at its best - with a twist. Wide arms and inviting loose cushions all come together with tuned proportions and show stopping legs.

NEED A HAND?

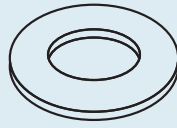
Contact us at service@bludot.com or **844.425.8368** for assistance.

Parts & Hardware



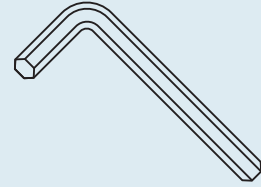
QTY 16

Pt. 1697



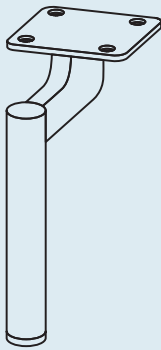
QTY 16

Pt. 3004



QTY 1

Pt. 9033



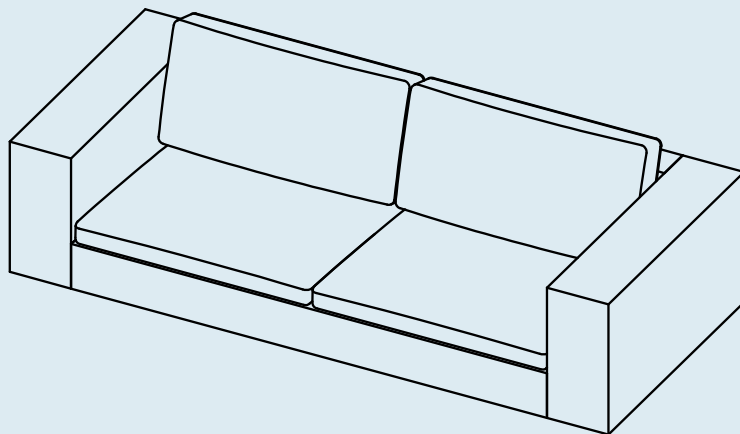
QTY 4

Foot



QTY 1

Center Foot*



QTY 1

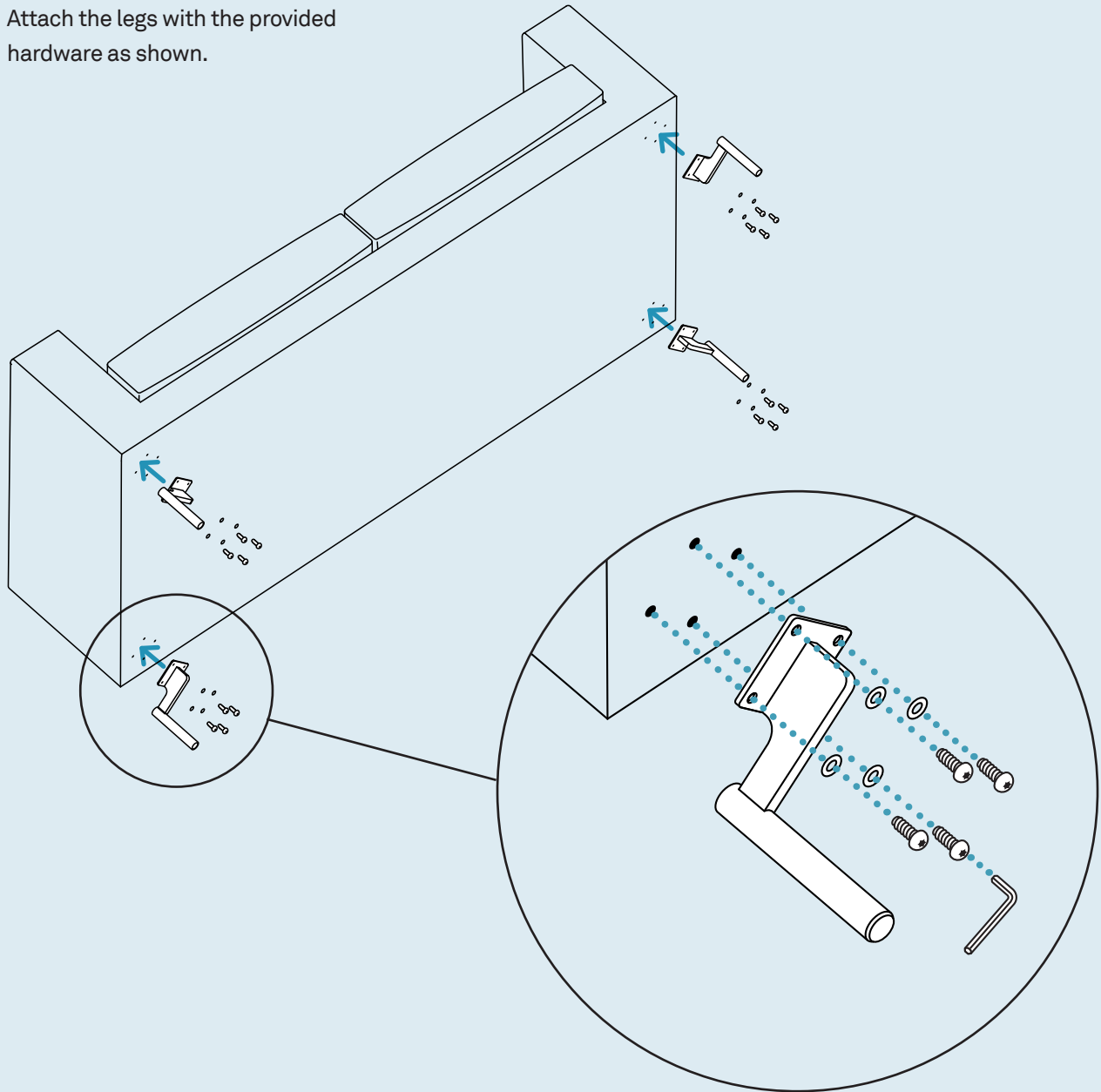
Sofa

*(for large and corner sofa only)

Step 01

ATTACH THE LEGS.

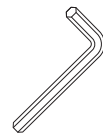
Attach the legs with the provided hardware as shown.



Pt. 1697 x 16



Pt. 3004 x 16

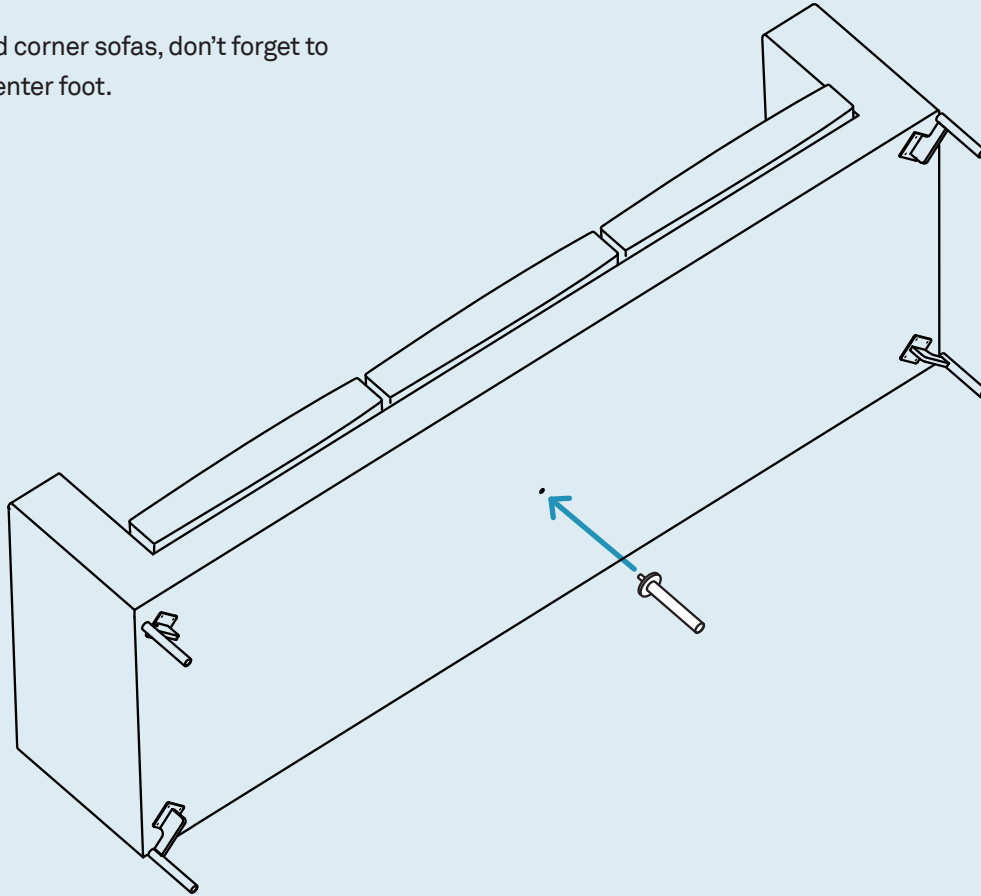


Pt. 9033 x 1

Step 02

ATTACH THE CENTER LEG.*

For large and corner sofas, don't forget to install the center foot.



*(for large and corner sofa only)

Additional Information

CLEAN

Vacuum your upholstery regularly.

SPILLS

Act quickly with spills. Absorb the spill with a clean white cloth or paper towel. Never rub the surface. Do not use water or other liquids to clean, as they may stain the fabric. Consult a commercial cleaning specialist for removal of stubborn stains.

AVOID

Keep upholstery & felt furniture out of direct sunlight and away from heat sources; excessive exposure to sunlight may fade the color of the upholstery. Avoid placing heavy or sharp objects on the furniture surface for long periods of time; this can cause permanent indentations in the fabric. For snags in the fabric, tuck loose threads into fabric or carefully push to reverse side. Never pull out or cut off loose threads.

