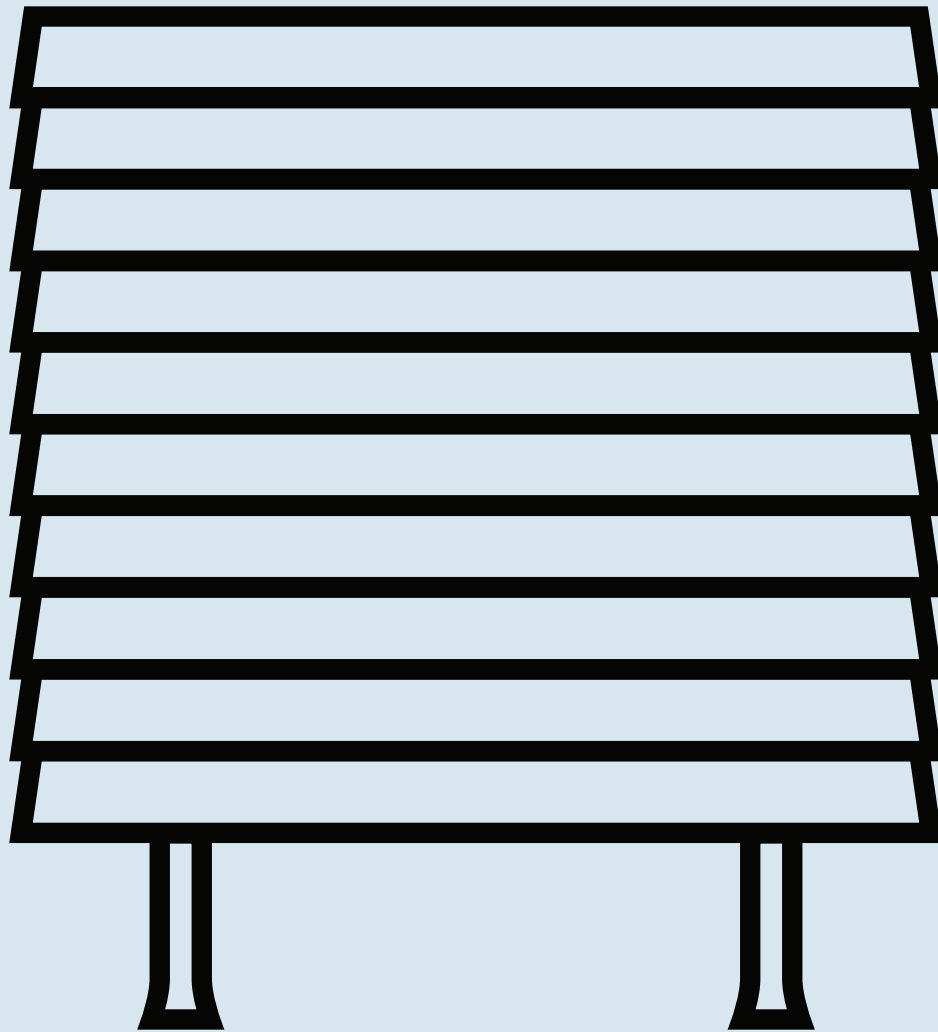
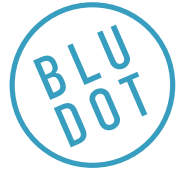


Lap Collection

DESIGNED IN 2014

ASSEMBLY NOTES | REV 00



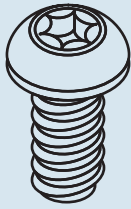
SAFE AND BORING NEED NOT BE SAFE AND BORING.

Overlapping wood drawer and door fronts give the collection its name, while the scene-stealing legs bring the visual charisma.

NEED A HAND?

Contact us at service@bludot.com or **844.425.8368** for assistance.

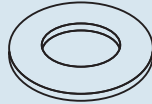
Parts & Hardware



QTY

16

Pt. 1010



QTY

16

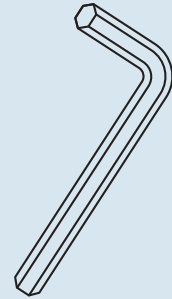
Pt. 3007



QTY

1

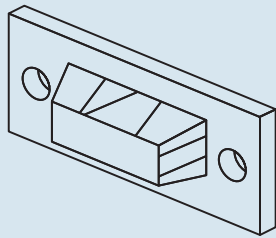
Pt. 9016



QTY

1

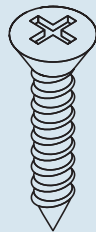
Pt. 9002



QTY

1

Pt. 8041



QTY

2

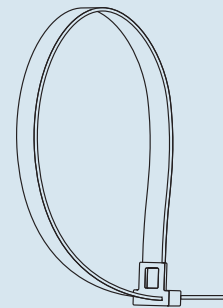
Pt. 1217



QTY

2

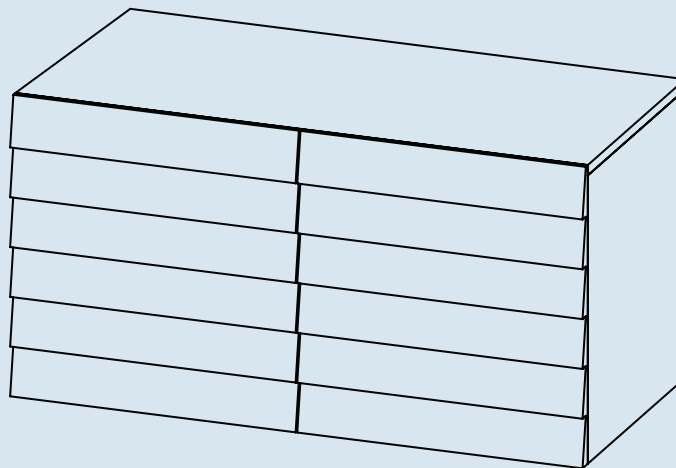
Pt. 1218



QTY

2

Pt. 8042



QTY

1

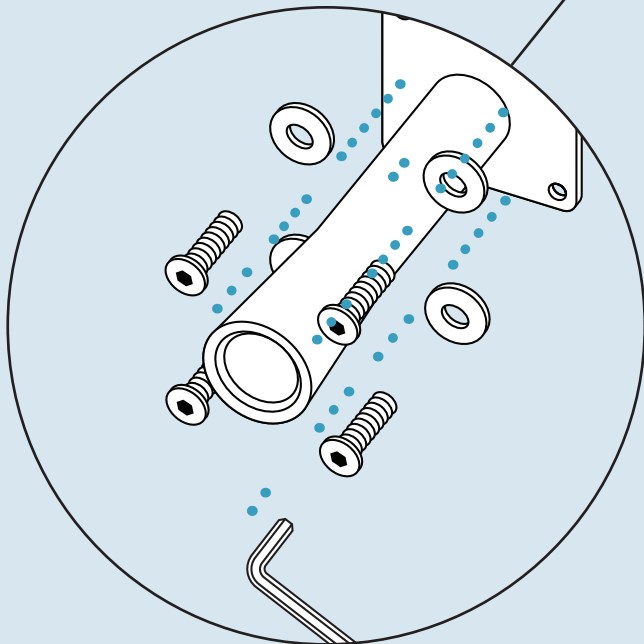
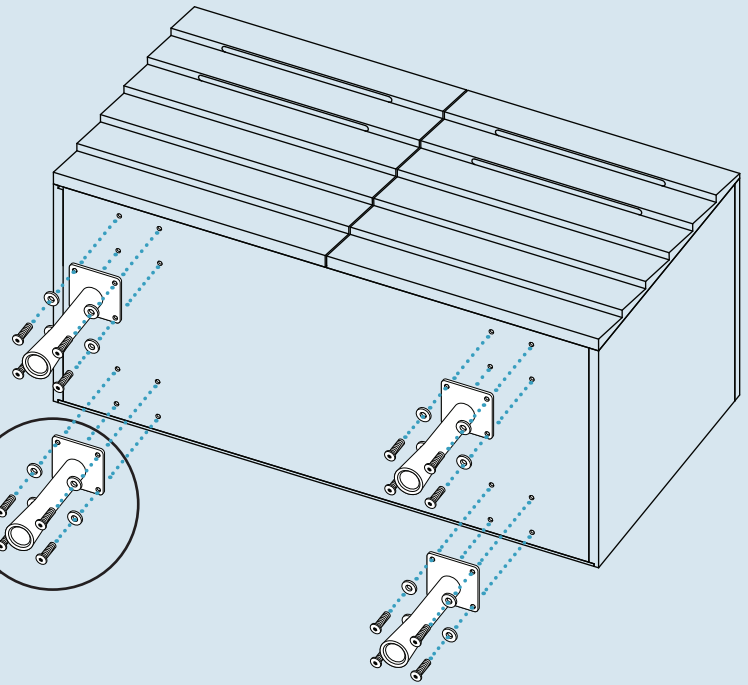
Case

Step 01

ATTACH THE LEGS.

Attach legs with the provided hardware as shown.

Once the legs have been attached, the dresser should be lifted and brought upright in order to prevent leg damage.



Precaution:

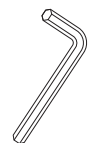
After the legs have been attached, have a second person help lift and bring the case upright in order to prevent leg damage.



Pt. 1010 x 16



Pt. 3007 x 16

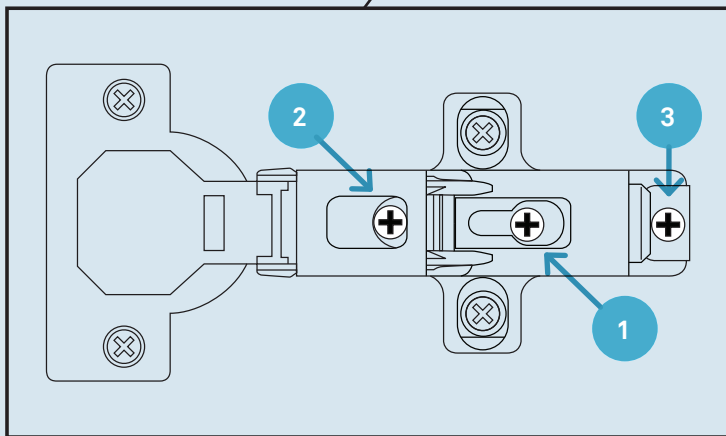
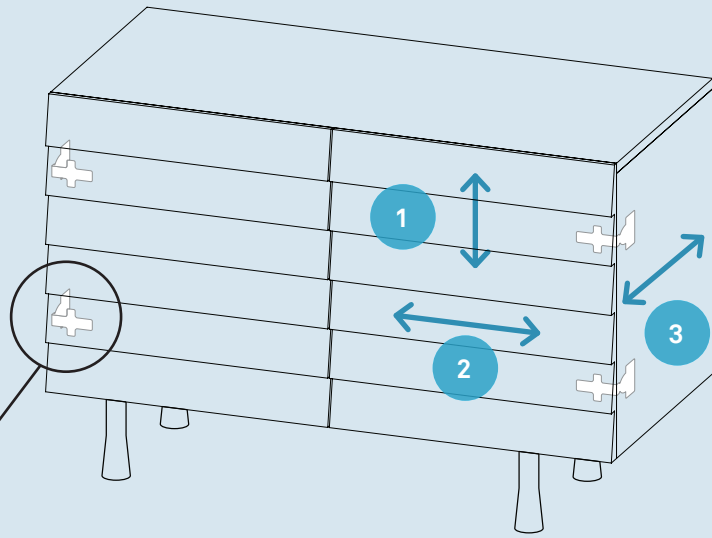


Pt. 9002 x 1

Step 02

DOOR ADJUSTMENT.

Hinges work in unison with one another, meaning if you adjust one hinge, chances are you will have to adjust all the hinges.



If door needs adjustment from
TOP TO BOTTOM, Use Screw #1.

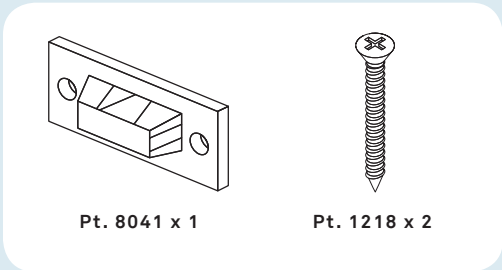
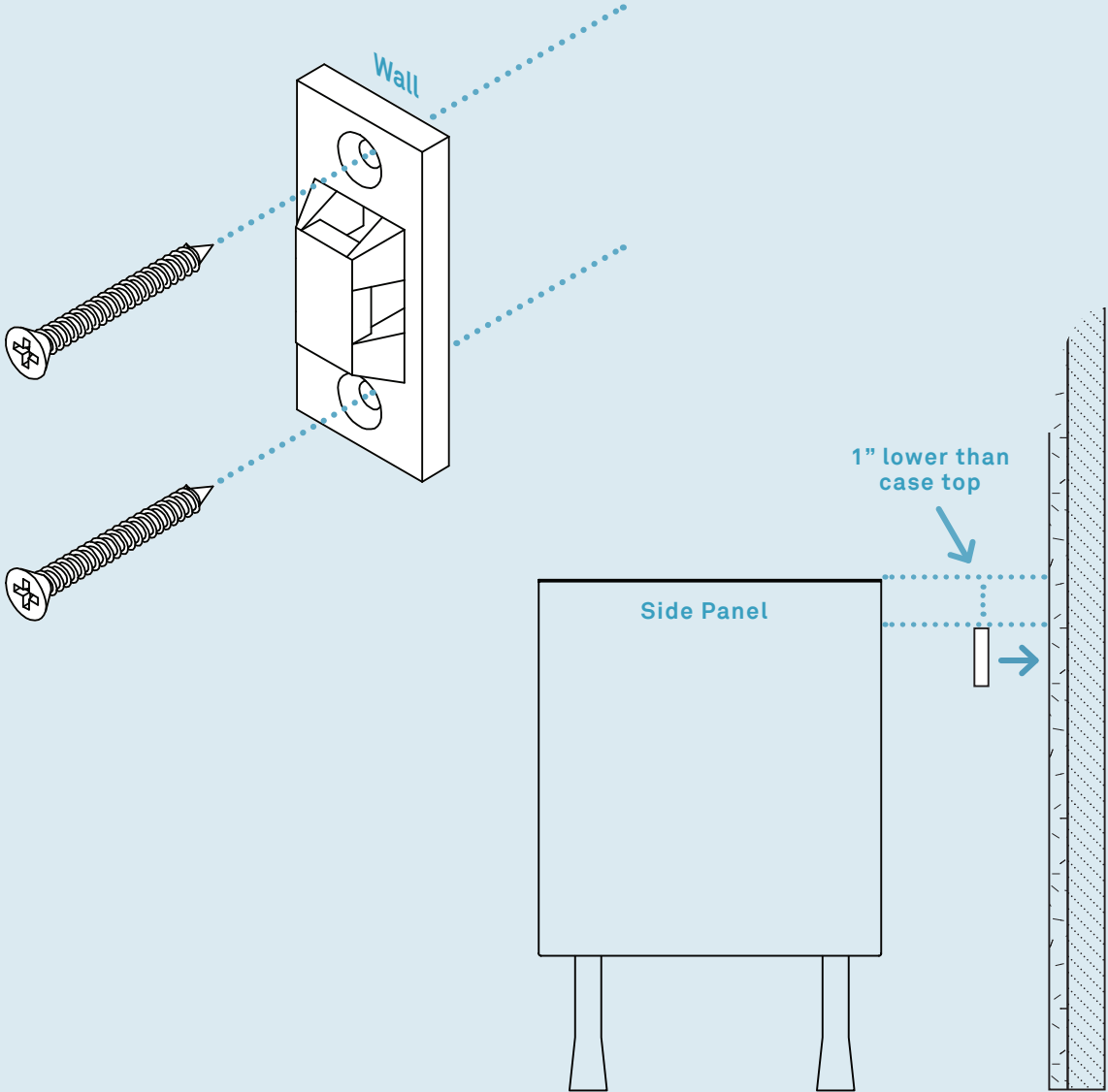
If door needs adjustment from
SIDE TO SIDE, Use Screw #2.

If door needs adjustment from
FRONT TO BACK, Use Screw #3.

Step 03

ATTACH ANTI-TIP BRACKET TO THE WALL.

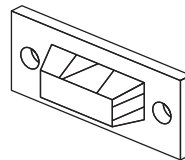
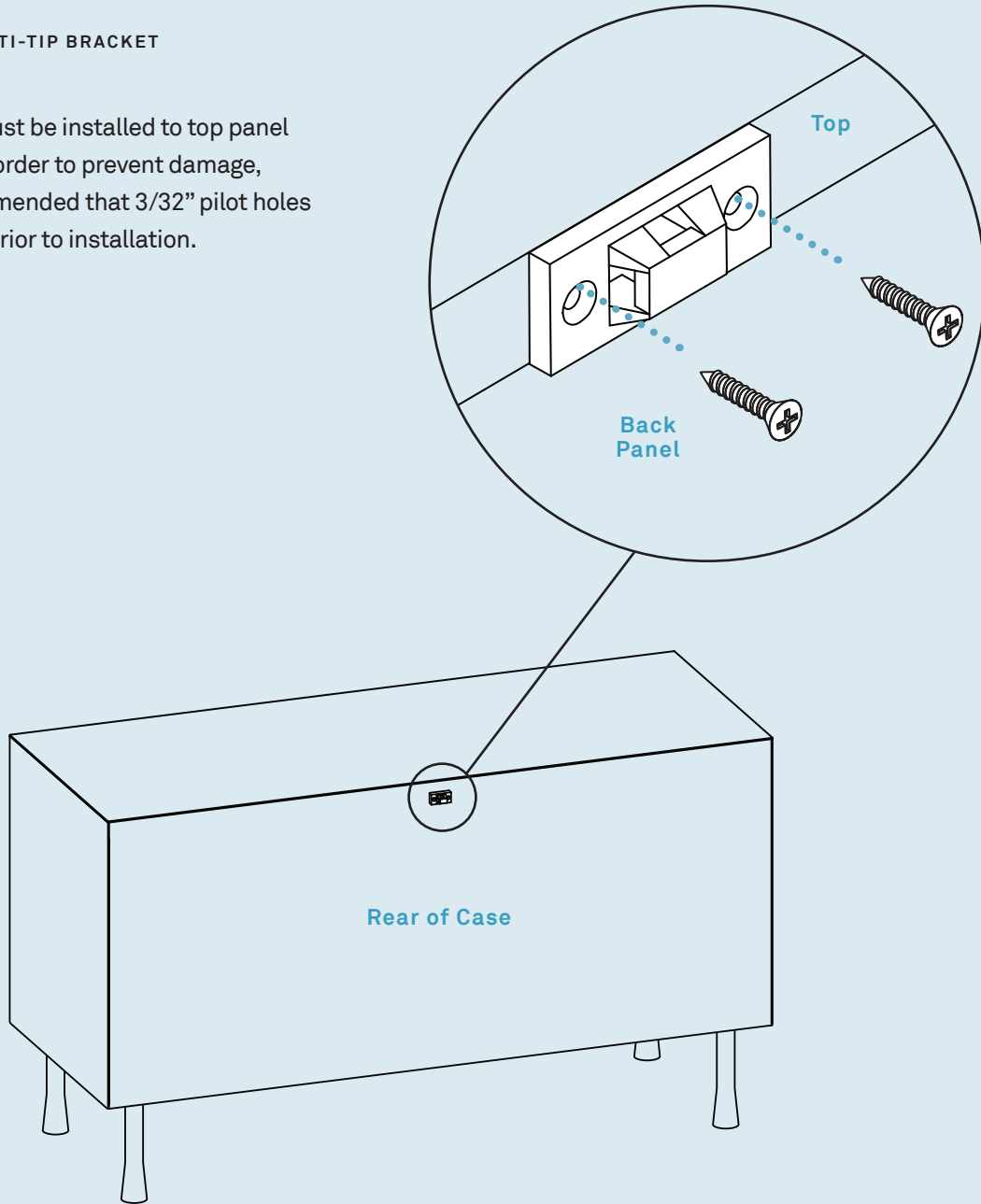
Install anti-tip bracket to wall stud 1-inch below case top panel height.



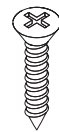
Step 04

INSTALL ANTI-TIP BRACKET TO CASE.

Bracket must be installed to top panel of case. In order to prevent damage, it is recommended that 3/32" pilot holes be drilled prior to installation.



Pt. 8041 x 1

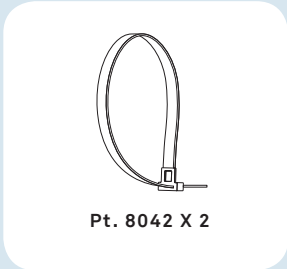
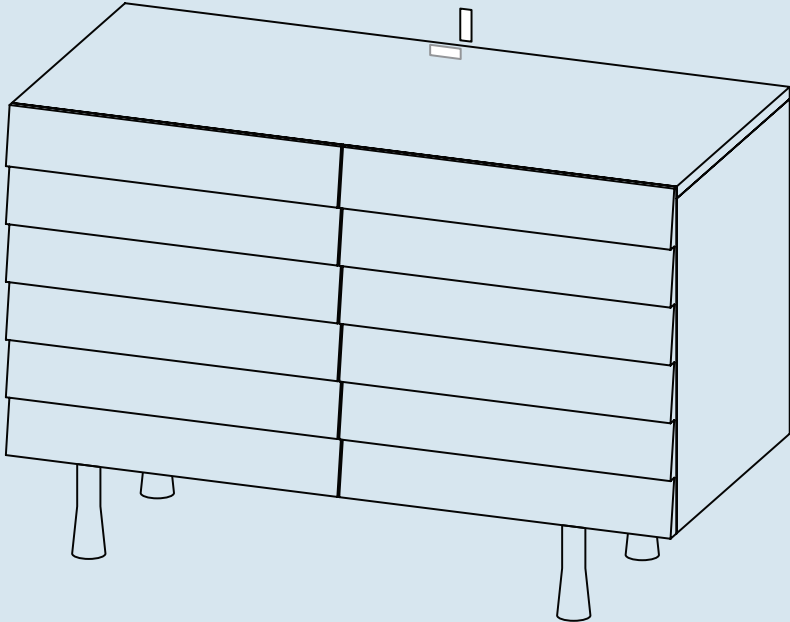
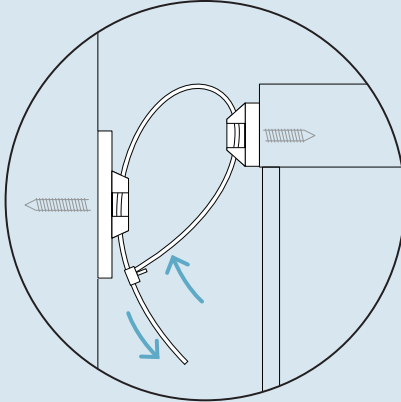
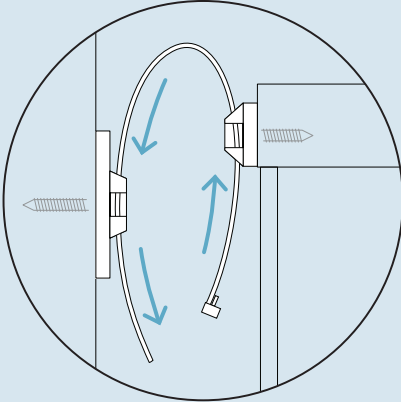


Pt. 1217 x 2

Step 05

SECURE THE CASE.

Install and tighten the strap prior to using the product.



Pt. 8042 X 2

Additional Information

CLEAN

Clean with a slightly damp, soft cloth. To remove dirt and fingerprints, use a quality cleaner formulate for wood furniture. Wipe completely dry with a soft cloth in the direction of the wood grain.

