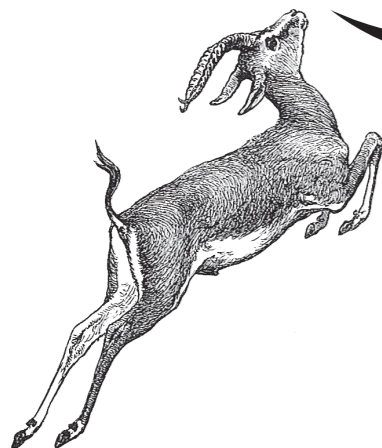
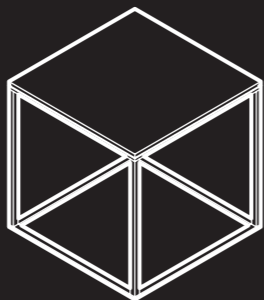


BLU
DOT

MINIMALISTA

ASSEMBLY NOTES

SIMPLICITY,
SQUARED



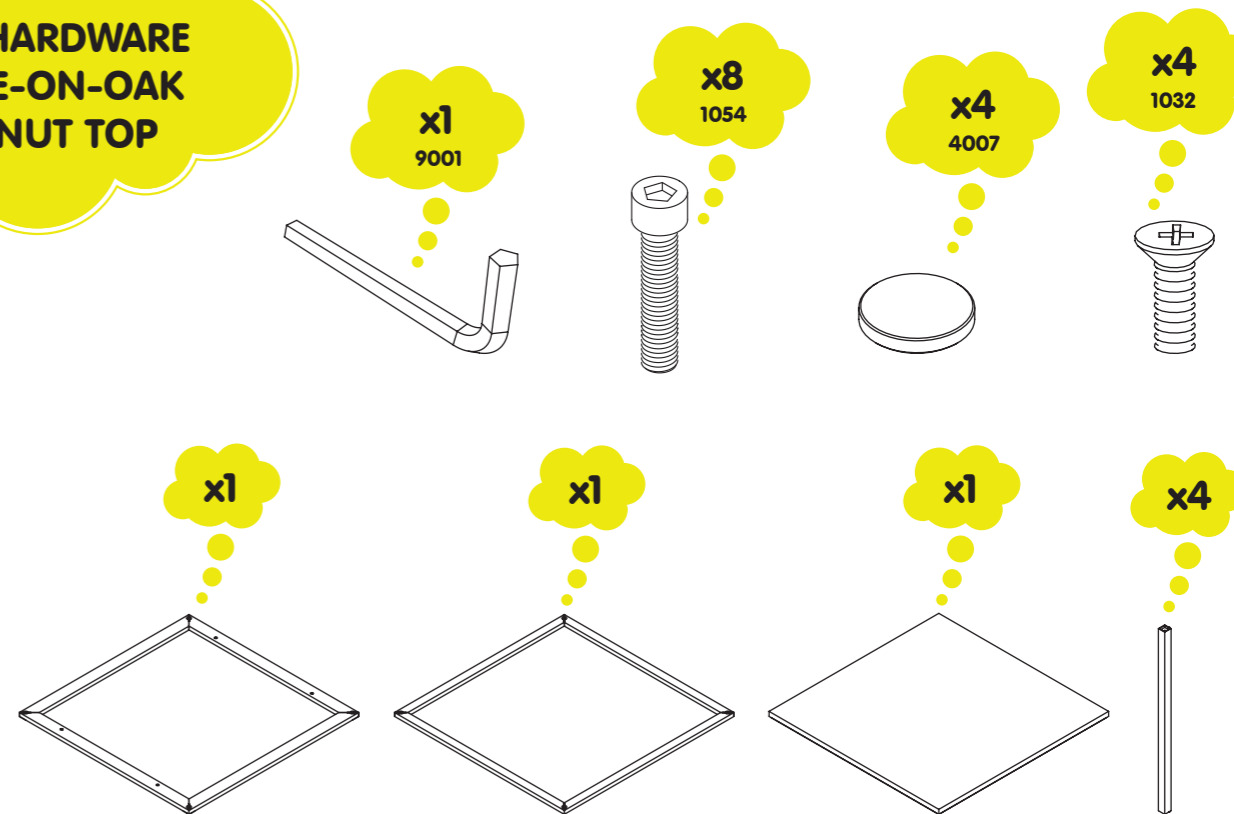
CARE

Clean tabletop and steel base with a soft cloth or sponge using a mild detergent, such as dish soap, and warm water. Wipe completely dry with a soft cloth.

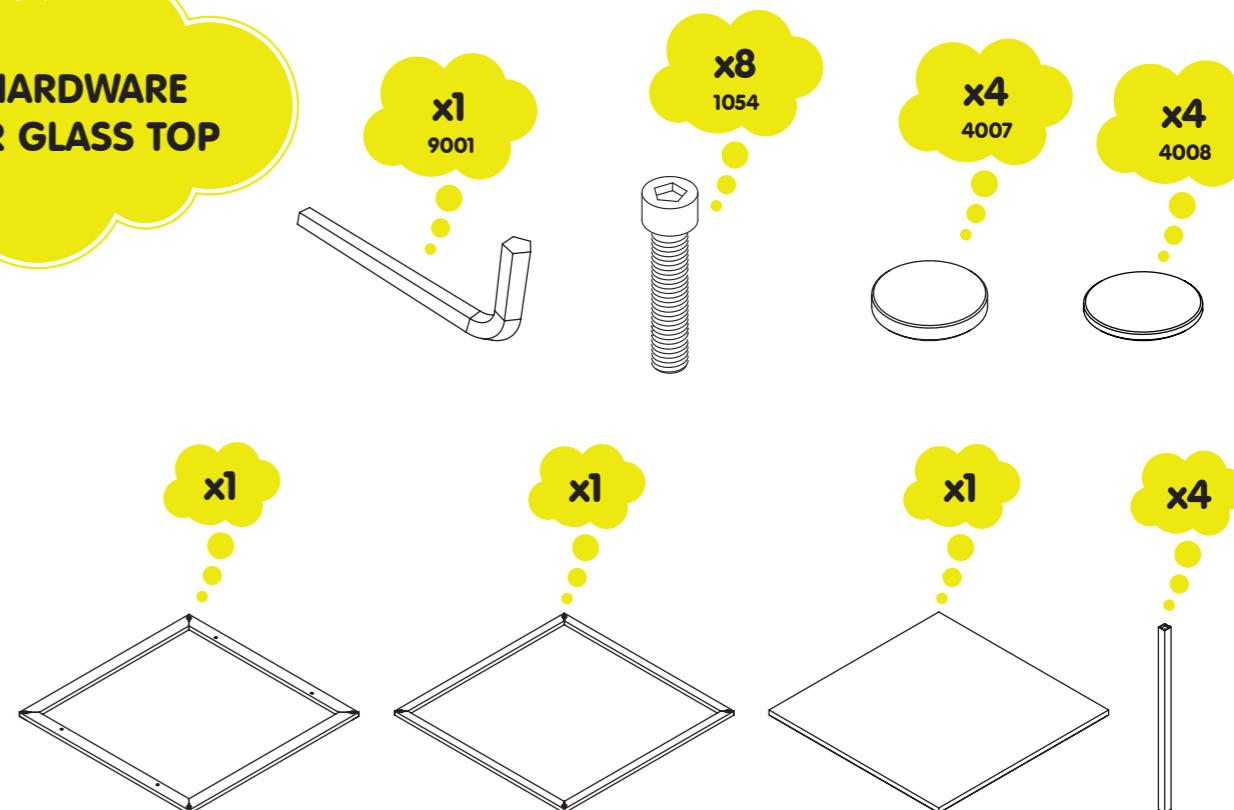
NOTE

The natural stone will have variances in appearance and each piece is unique.

PARTS & HARDWARE GRAPHITE-ON-OAK OR WALNUT TOP



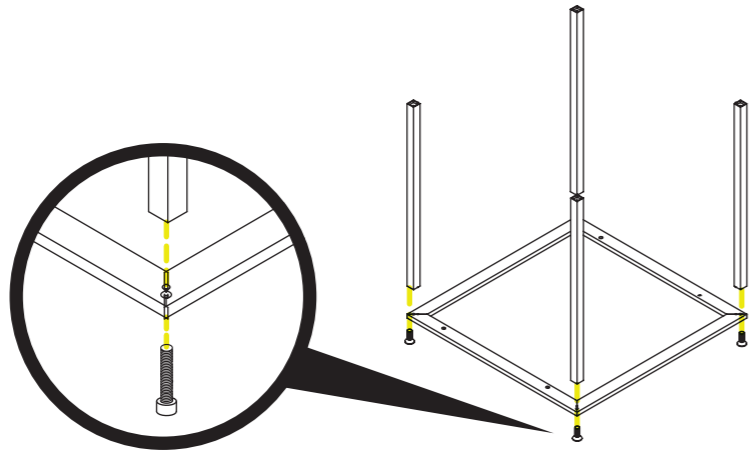
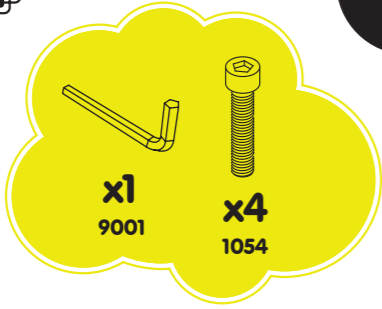
PARTS & HARDWARE MARBLE OR GLASS TOP



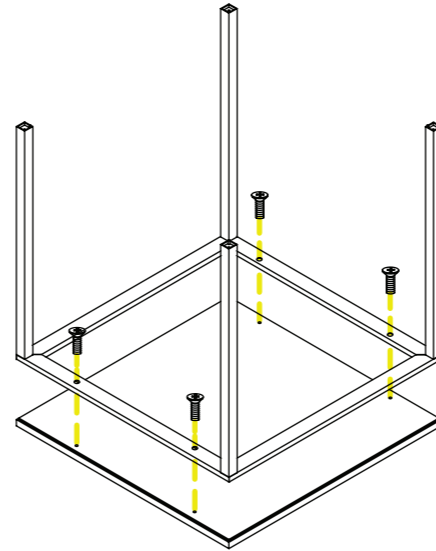
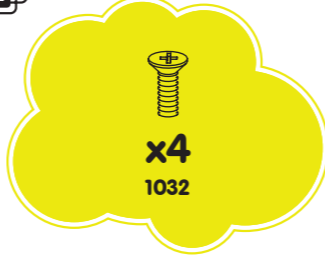
GRAPHITE-ON-OAK OR WALNUT TOP

1

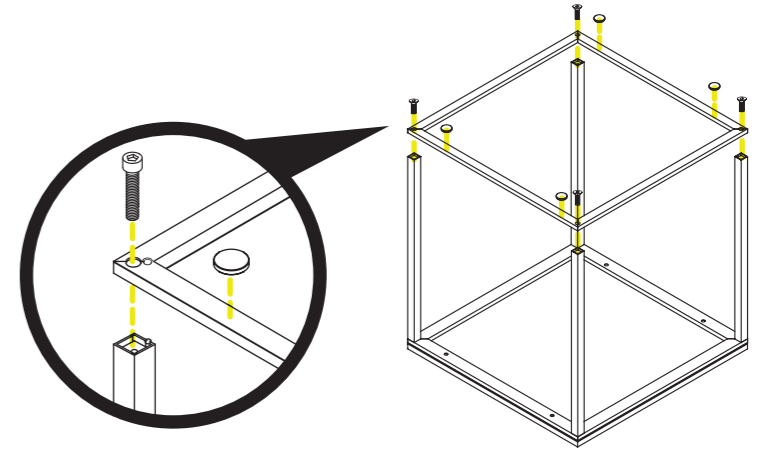
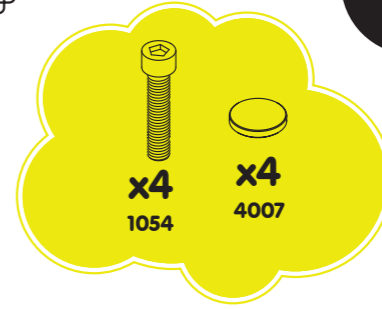
Assemble on carpet or protective mat



2

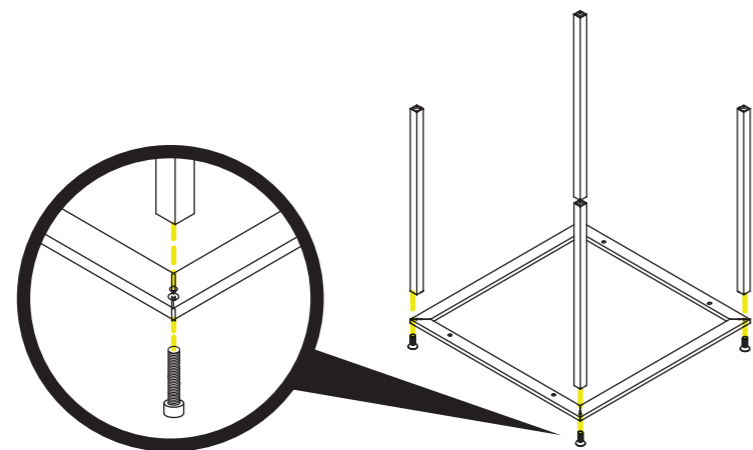
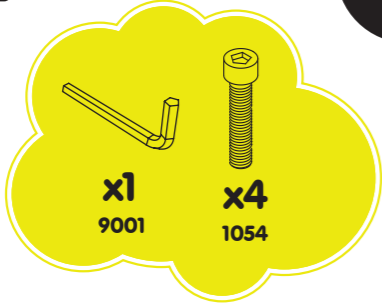


3

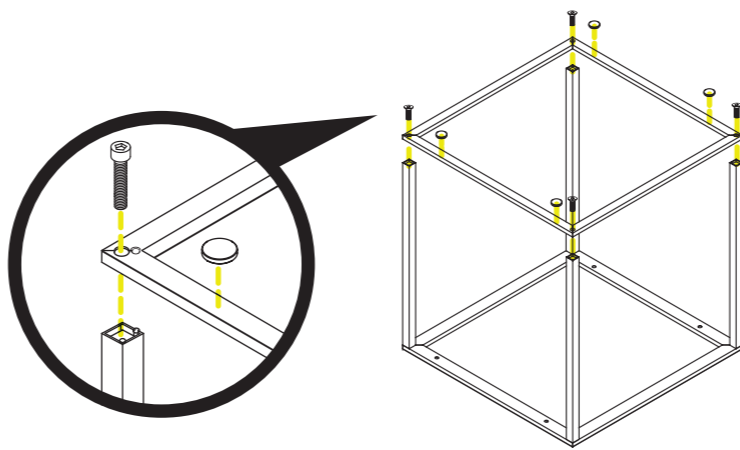
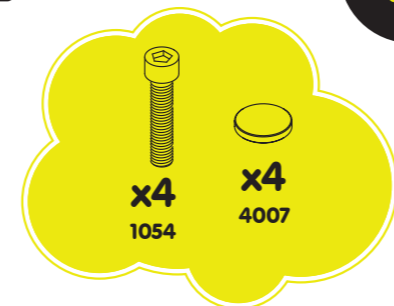


MARBLE OR GLASS TOP

1



2



3

