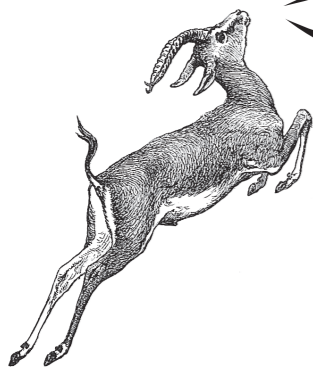
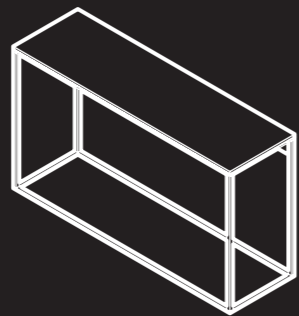


BLU
DOT

MINIMALISTA

ASSEMBLY NOTES

SIMPLICITY,
SQUARED



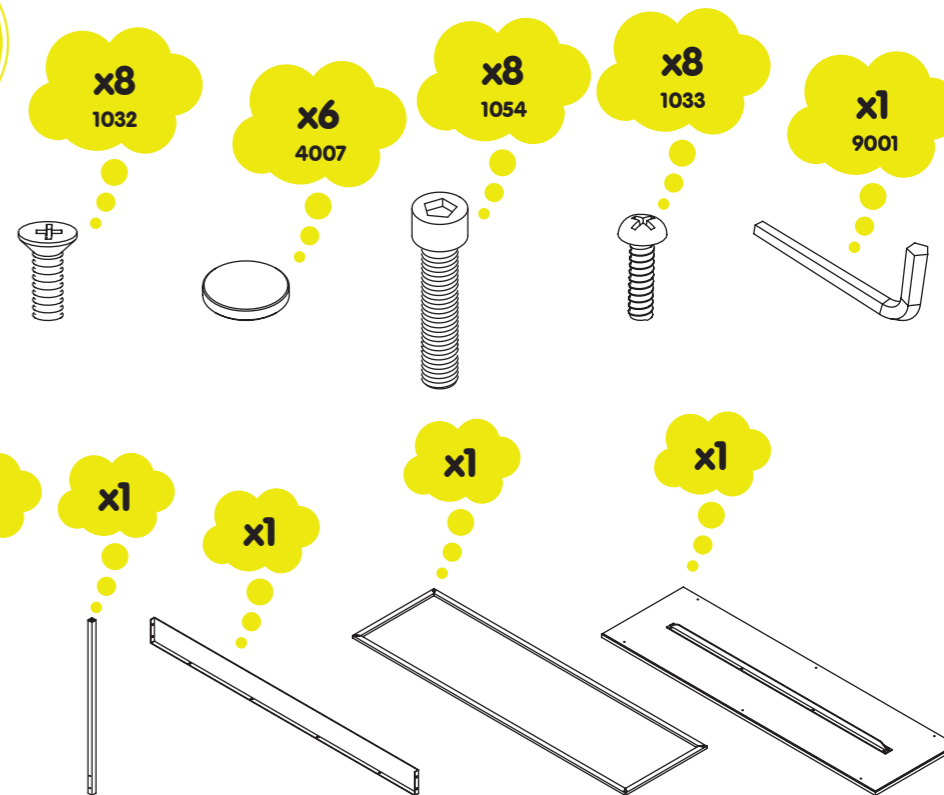
CARE

Clean tabletop and steel base with a soft cloth or sponge using a mild detergent, such as dish soap, and warm water. Wipe completely dry with a soft cloth.

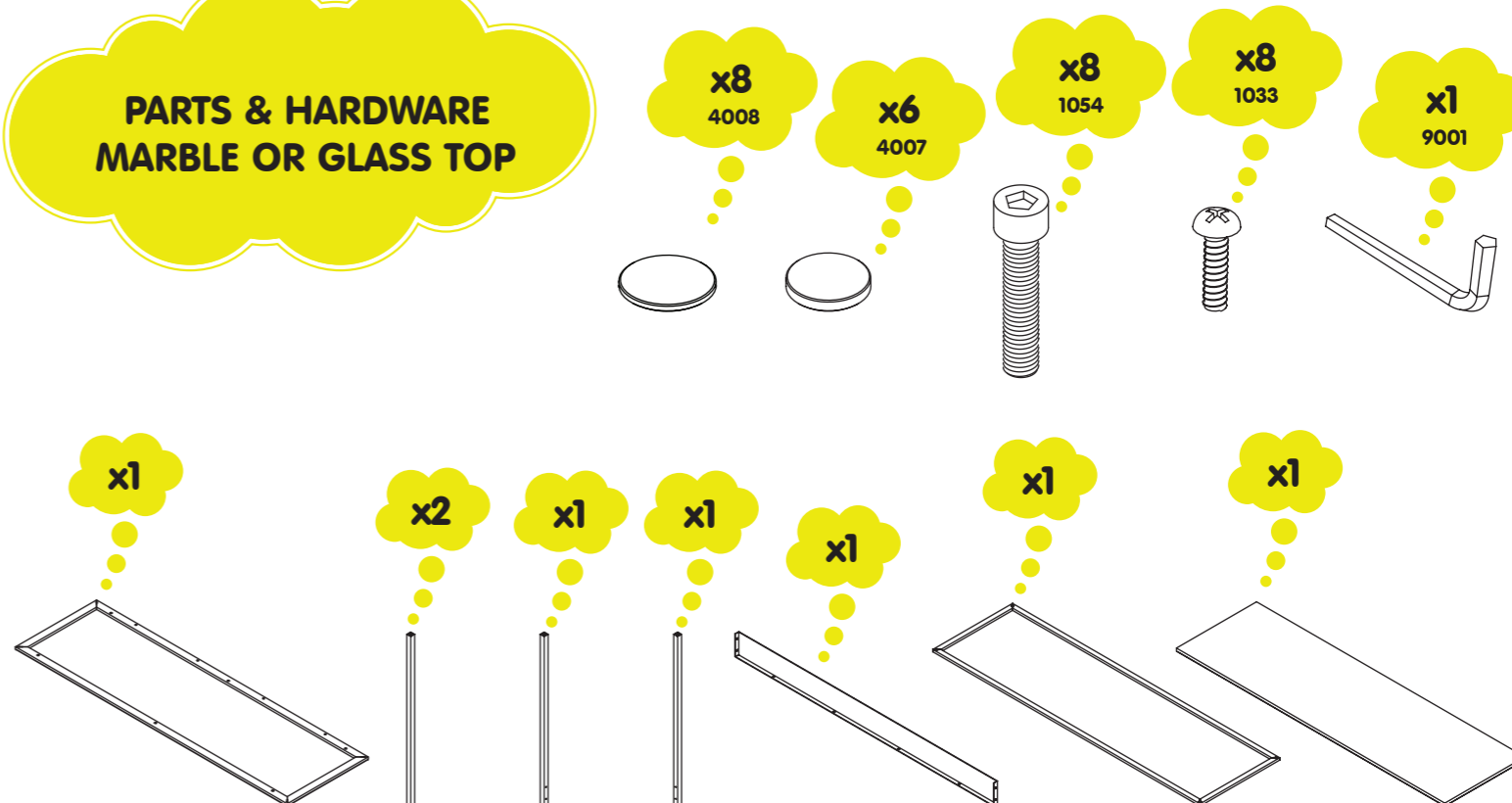
NOTE

The natural stone will have variances in appearance and each piece is unique.

PARTS & HARDWARE GRAPHITE-ON-OAK OR WALNUT TOP



PARTS & HARDWARE MARBLE OR GLASS TOP



GRAPHITE-ON-OAK OR WALNUT TOP

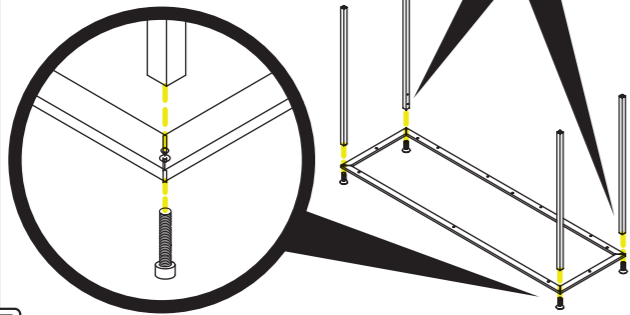
1

Assemble on carpet or protective mat

x1
9001

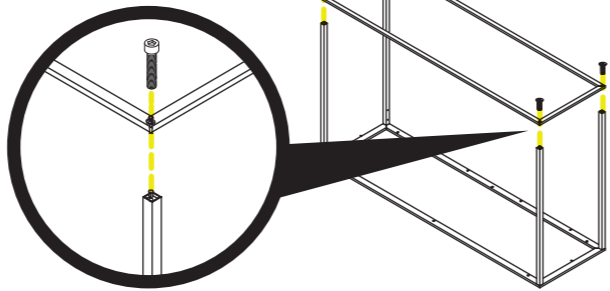
x4
1054

legs with holes go on the same side — holes face in



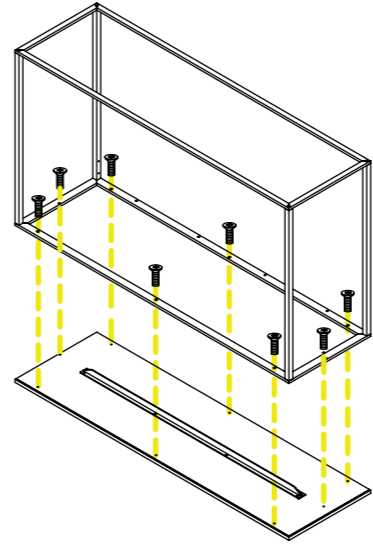
2

x4
1054



3

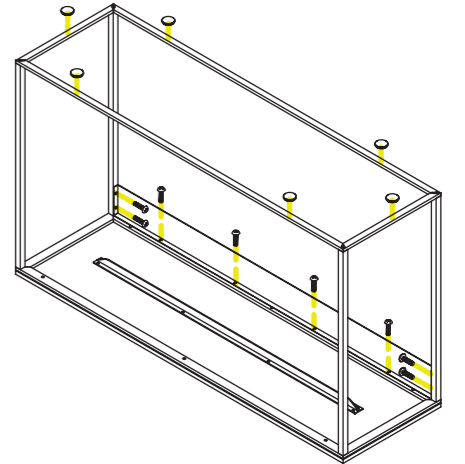
x8
1032



4

x8
1033

x6
4007



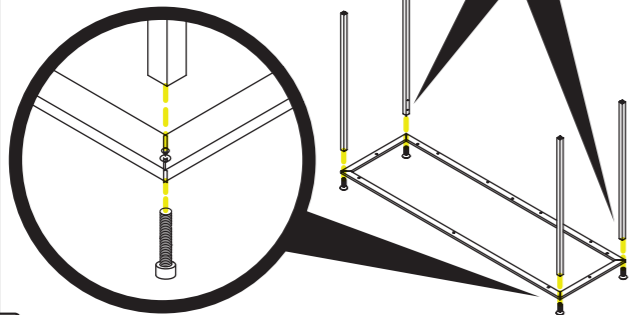
MARBLE OR GLASS TOP

1

x1
9001

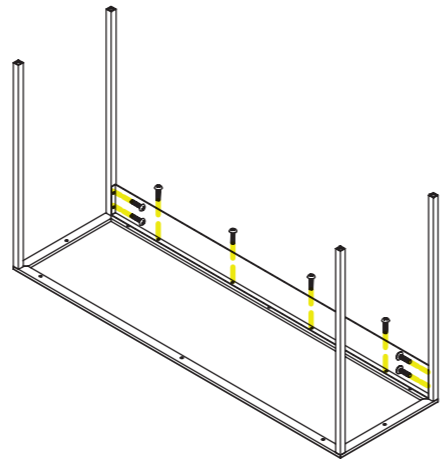
x4
1054

legs with holes go on the same side — holes face in



2

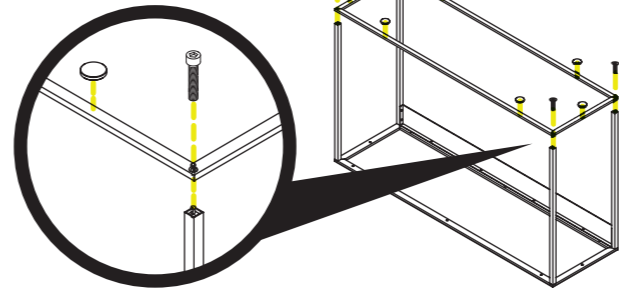
x8
1033



3

x4
1054

x6
4007



4

x8
4008

