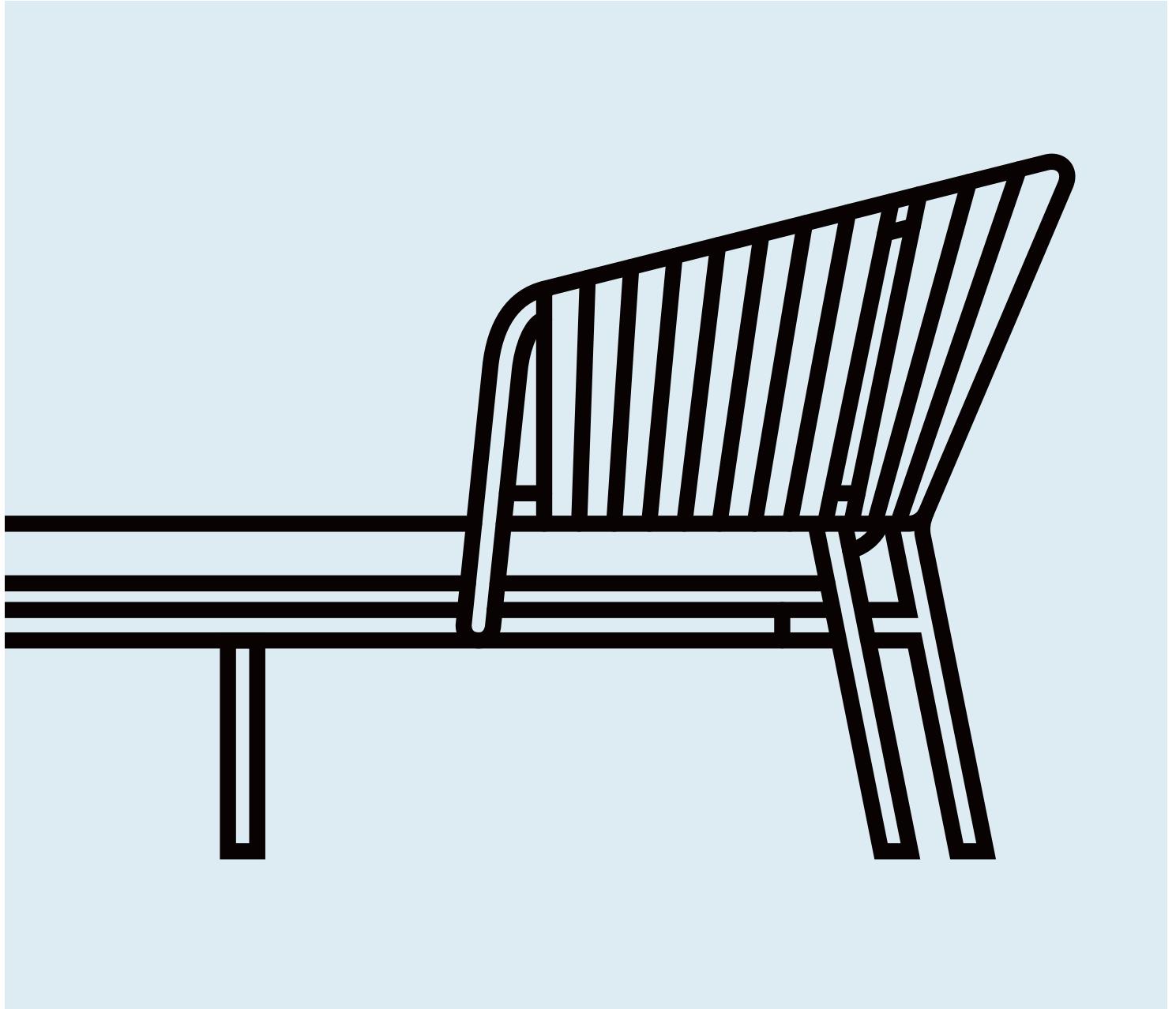
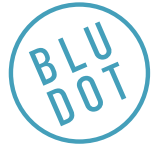


# Mate Sun Lounger

DESIGNED IN 2020

ASSEMBLY NOTES | REV 01



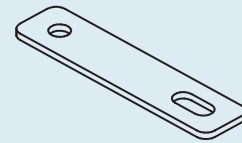
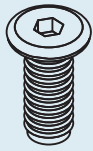
## NEED A HAND?

Contact us at [service@bludot.com](mailto:service@bludot.com) or **844.425.8368** for assistance.

## @BLUDOT

We design all our pieces in our Minneapolis studio. Follow along on Instagram for some sneak peeks into the process.

# Parts & Hardware



QTY

2\*

QTY

1\*

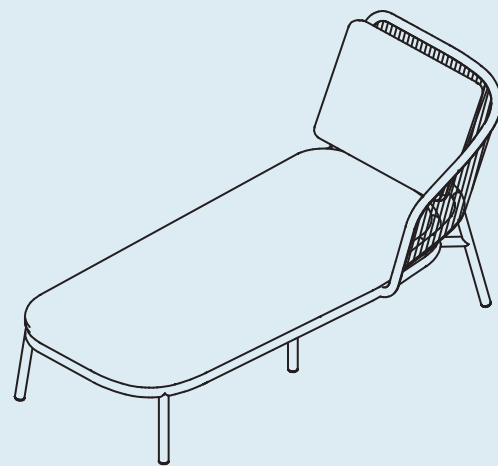
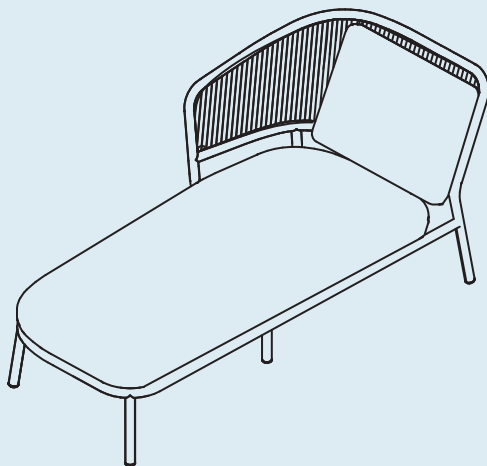
QTY

1\*

Pt. 1083

Pt. 9026

Connector



QTY

1\*\*

QTY

1\*\*

Left Sun Lounger

Right Sun Lounger

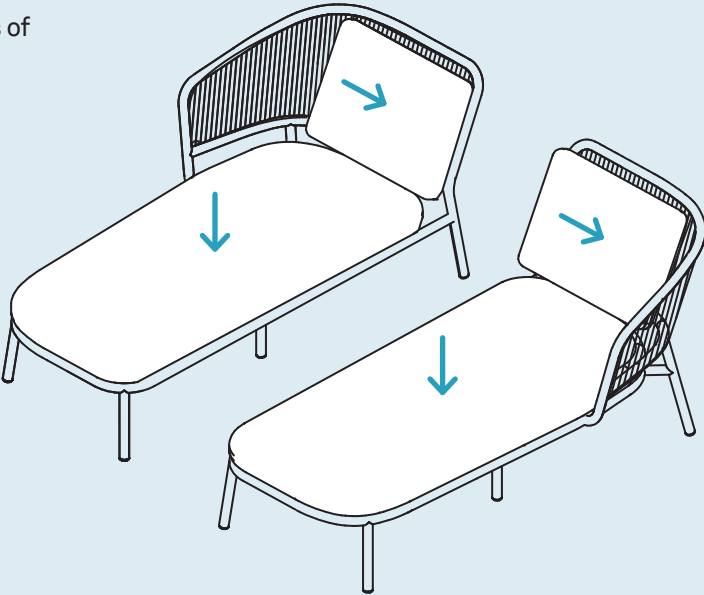
\*Quantities shown are hardware amounts included with each sun lounger. Quantities are doubled if both versions of the sun lounger are purchased.

\*\*Sun lounger shape and quantity varies by item purchased.

# Step 01

## ATTACH CUSHIONS.

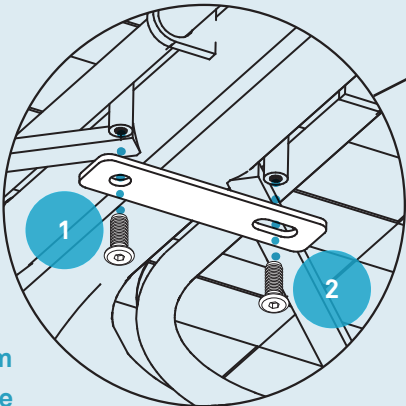
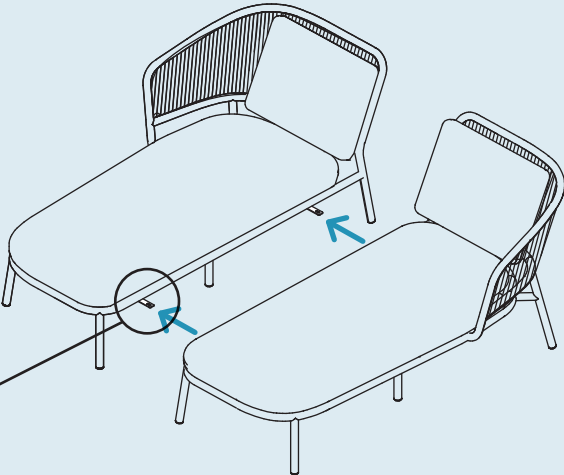
Use hook and loop fasteners on backs of cushions to attach them to the frame.



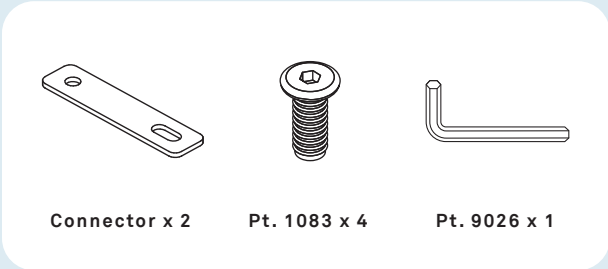
# Step 02

## CONNECT SUN LOUNGERS.

A left and right sun lounger may be joined using the connector and hardware provided as shown. Install connectors on one side before aligning the sun loungers and combining them to make a Day Bed.



View from underside



#### NOTE

This product is upholstered with Sunbrella® fabrics. Sunbrella fabrics are treated to be water and stain repellent, and do not promote mildew growth. We recommend regular cleaning as mildew can grow on dirt and dust embedded in the fabric. Do not use abrasive cleaners on painted metal as it may affect the surface finish. Store indoors during winter months.

#### CLEAN

Vacuum your upholstery regularly, this will help prevent dirt and dust from becoming embedded in the fabric. To remove minor wrinkles, we recommend using an iron on the synthetic setting. Clean metal with a slightly damp, soft cloth. To remove dirt and fingerprints, use a quality cleaner formulated for metal furniture. Wipe completely dry with a soft cloth.

#### SPILLS

Act quickly with spills. Blot the spill with a clean white cloth or paper towel. Never rub the surface. Apply a solution of mild dish soap and water to the surface containing the spill. Rinse the fabric surface thoroughly to remove any residue, working from seam to seam. Air Dry. Consult a commercial cleaning specialist for removal of stubborn stains.

#### MOLD AND MILDEW STAINS

Mildew can grow on dirt and dust embedded in the fabric. Before cleaning we recommend moving the furniture piece to a safe work space or covering the surrounding floor. To remove mold or mildew stains we recommend applying a solution of 1 cup bleach and ¼ cup mild dish soap per 1 gallon of water. Allow the solution to set for up to 15 minutes. Clean the entire surface with a soft sponge and rinse thoroughly to remove any residue, working from seam to seam. Air dry completely before using.

#### AVOID

Avoid placing heavy or sharp objects on the furniture surface for long periods of time; this can cause permanent surface indentations. For snags in the fabric, tuck loose threads into fabric or carefully push to reverse side. Never pull out or cut off loose threads. Do not use a fabric steamer to remove wrinkles, this can damage the fabric.

Sunbrella® is a registered trademark of Glen Raven, Inc.

