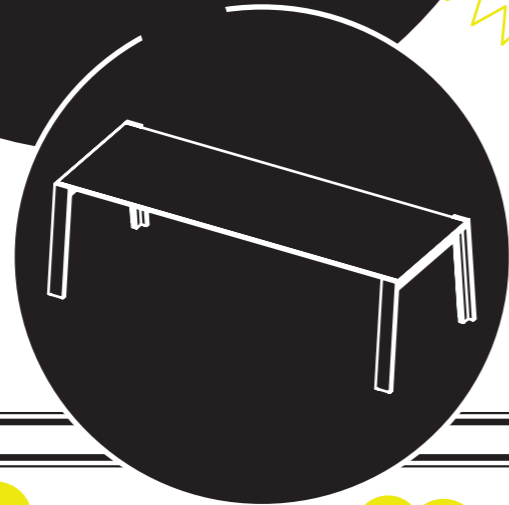
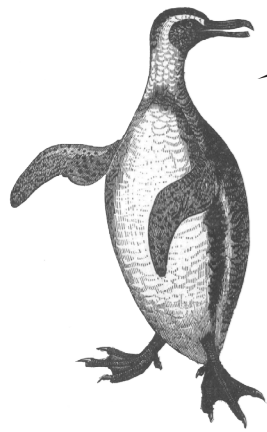


BLU
DOT

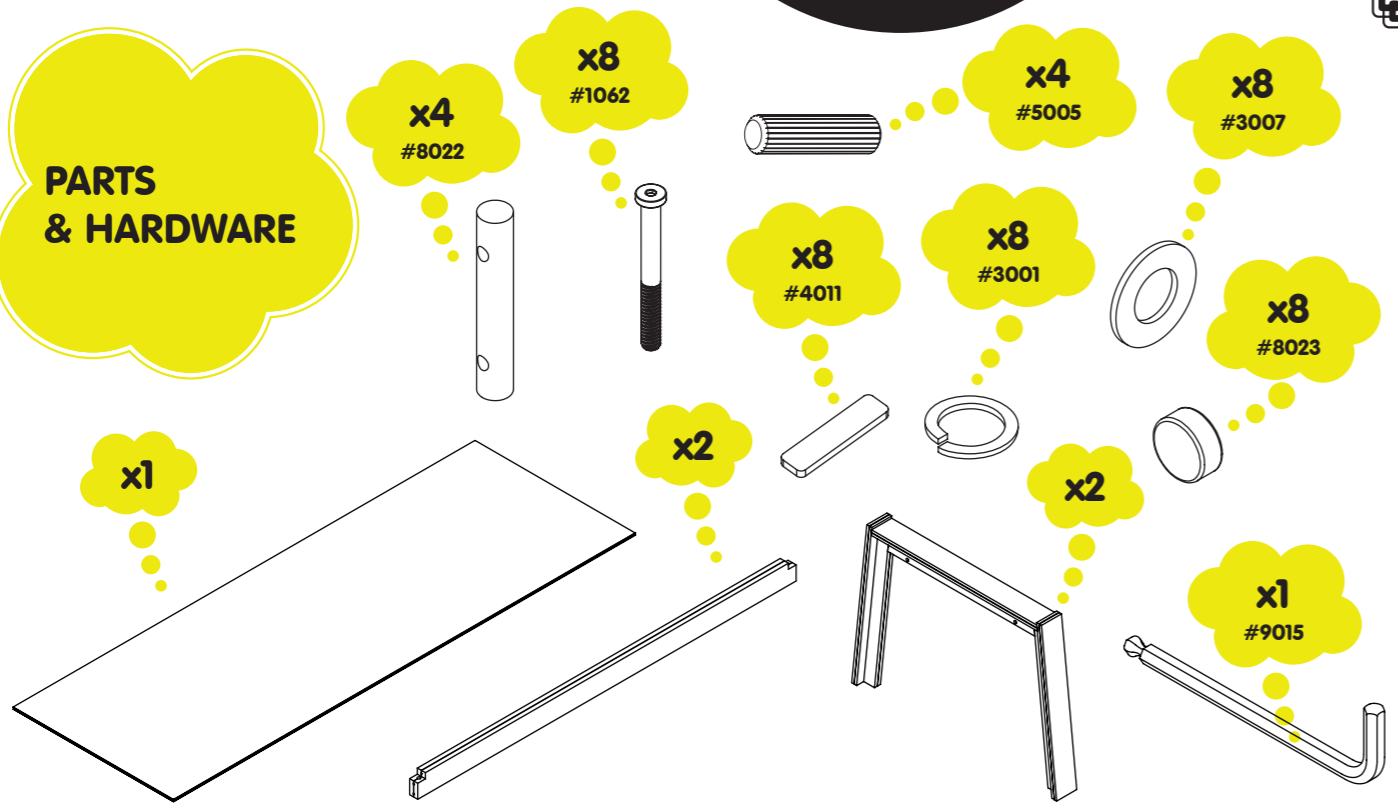
LAKE 95" DINING TABLE

ASSEMBLY NOTES

HAVE YOUR LAKE
AND EAT ON IT TOO.



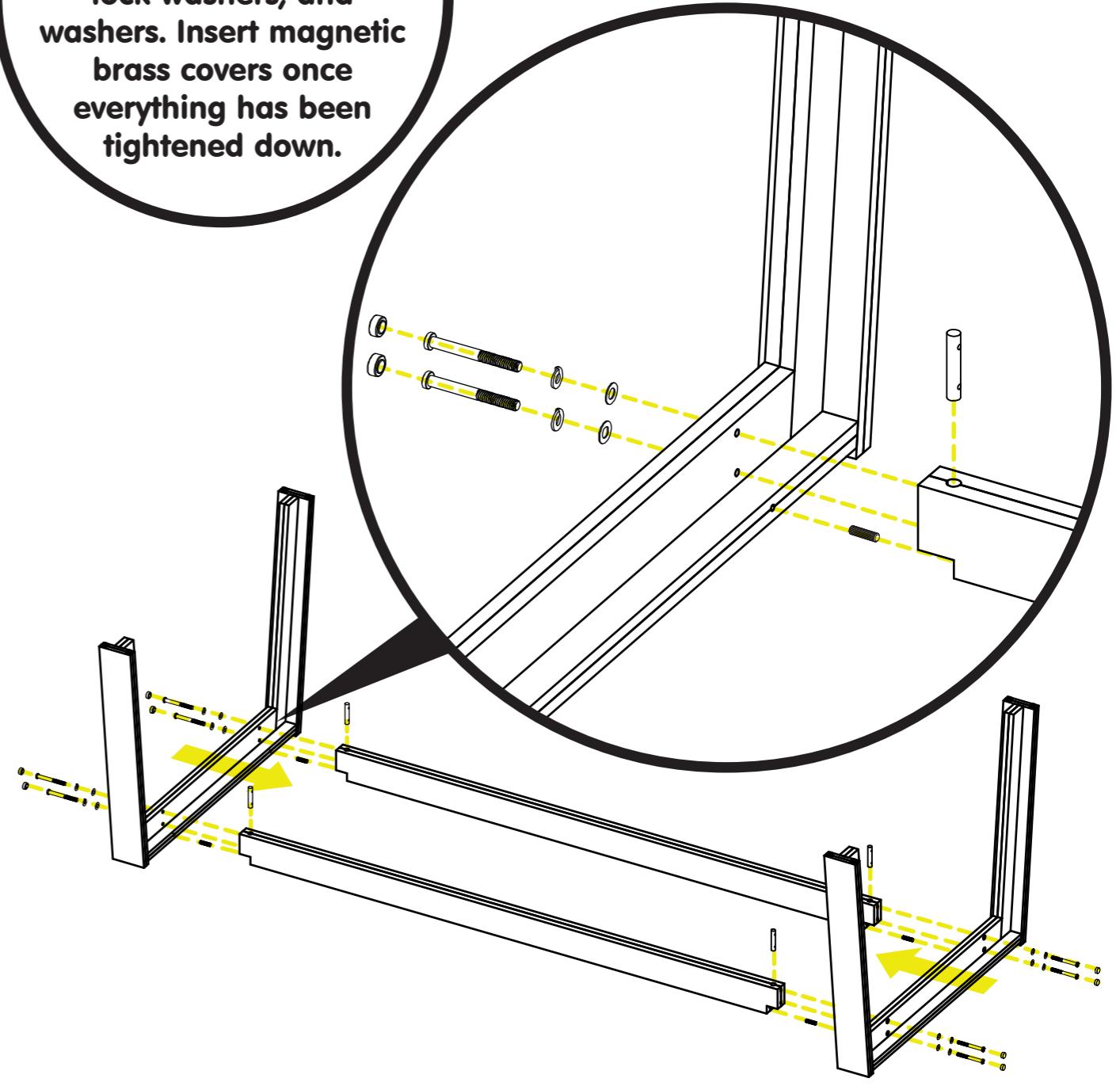
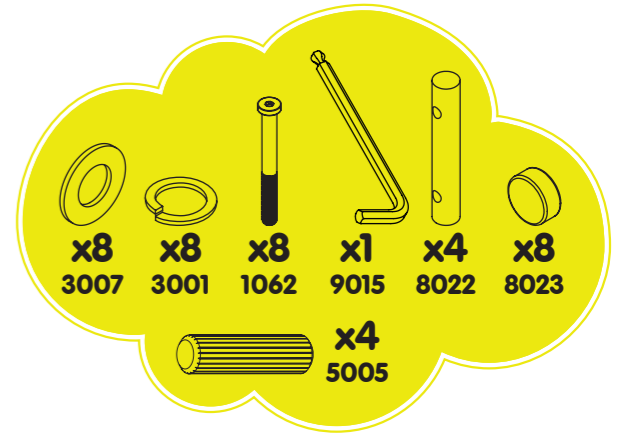
PARTS & HARDWARE



1

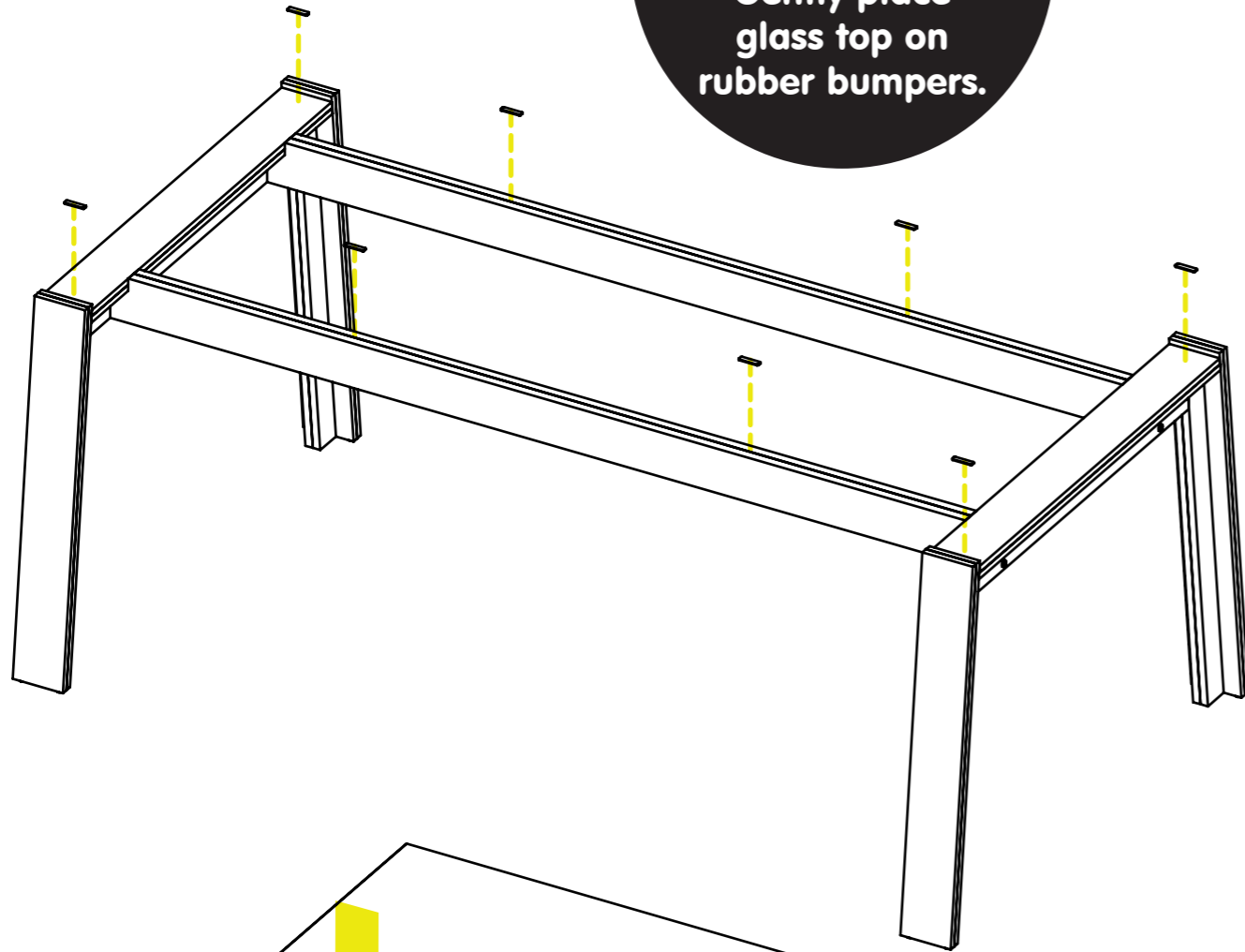
ASSEMBLE UPSIDE DOWN

Insert cylindrical
dowel nut into stretcher
rails and attach to leg
frames using allen bolts,
lock washers, and
washers. Insert magnetic
brass covers once
everything has been
tightened down.

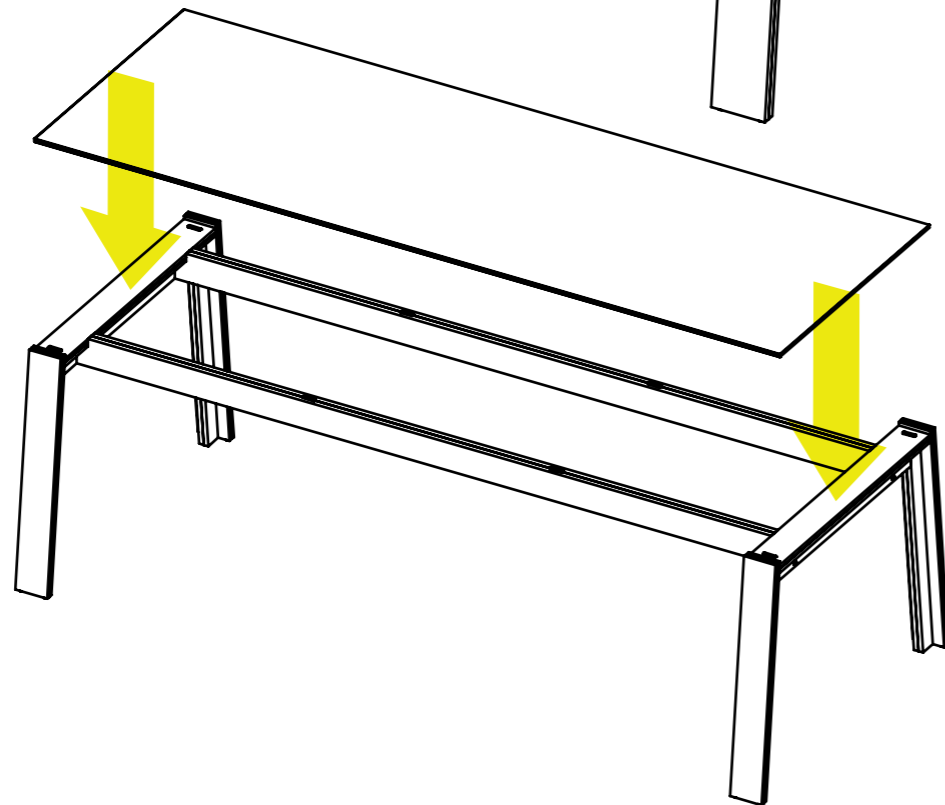


2

Space rubber bumpers evenly and on center of rails as shown. Gently place glass top on rubber bumpers.



Use 2 or more persons to set glass on frame.



CARE INSTRUCTIONS

GLASS

First, remove dirt or debris from surface of glass with a slightly damp, soft cloth. To remove fingerprints or streaks, use a quality glass cleaner. Don't forget about the underside of the glass, for the perfect clean.

WOOD FRAME

Clean with a slightly damp, soft cloth. To remove dirt and fingerprints, use a quality cleaner formulated for wood furniture. Wipe completely dry with a soft cloth in the direction of the wood grain.

