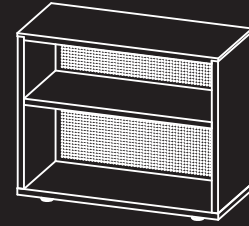


INTRO SHELVING SINGLE

ASSEMBLY INSTRUCTIONS

SHOW OFF YOUR KNOWLEDGE!



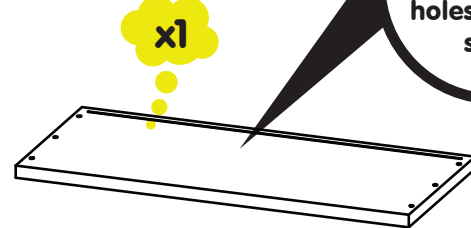
CARE

Clean with a slightly damp, soft cloth. To remove dirt and fingerprints, use a quality cleaner formulated for wood furniture. Wipe completely dry with a soft cloth.

PARTS LIST

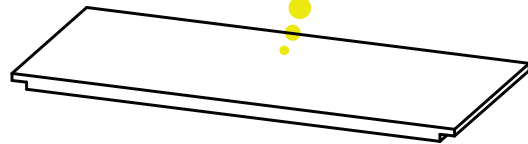


Shelf

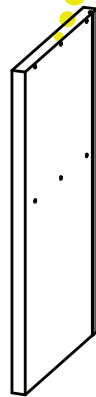


Bottom Panel

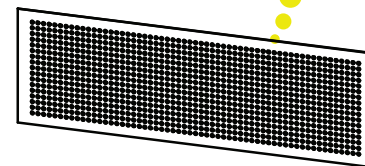
bottom panel has pre-drilled holes on both sides



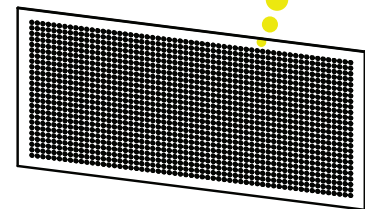
Top Panel



Side Panel



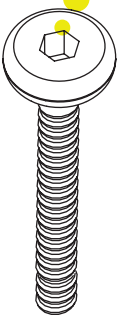
Upper Back Panel



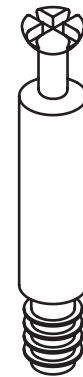
Lower Back Panel

HARDWARE

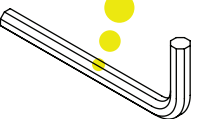
x6
1615



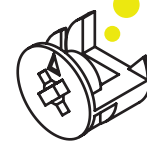
x12
5002



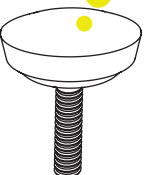
x1
9008

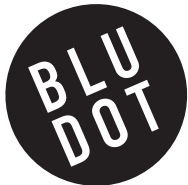


x12
5001



x4
4010

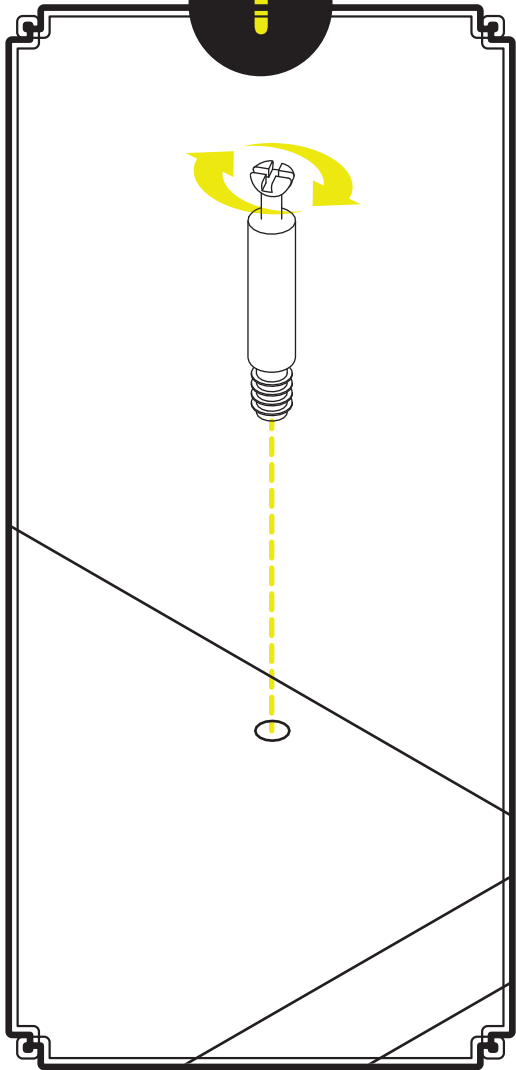




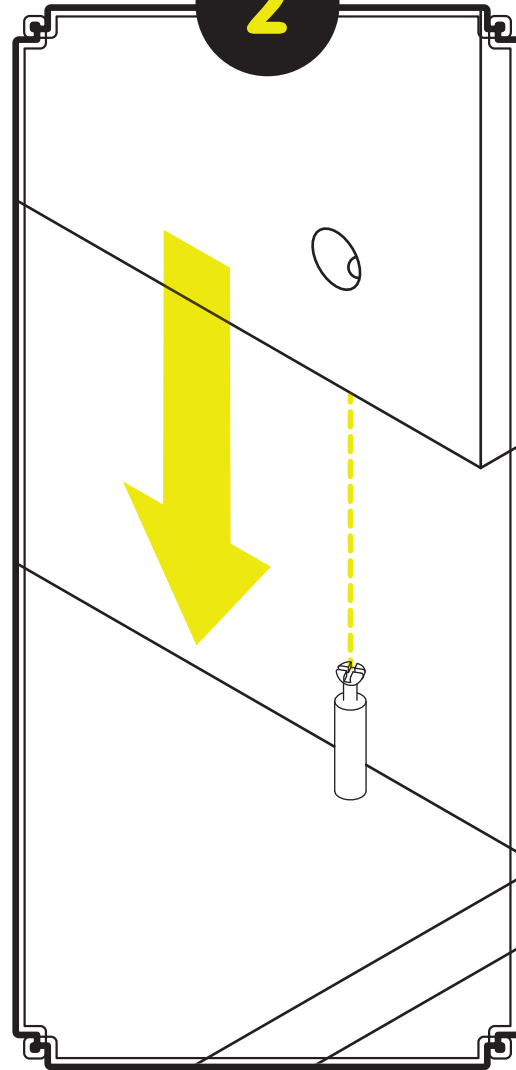
HOW TO USE CAM LOCK HARDWARE



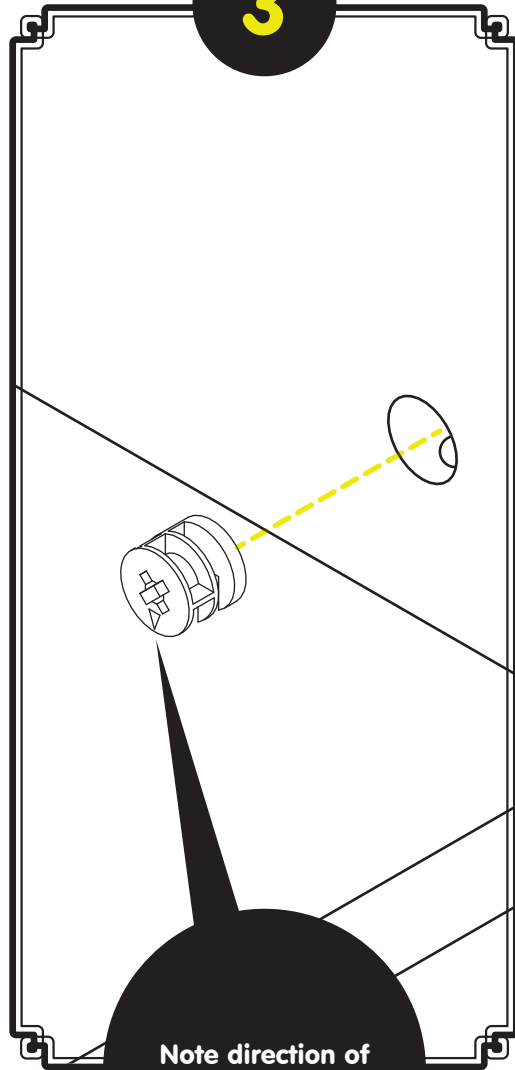
1



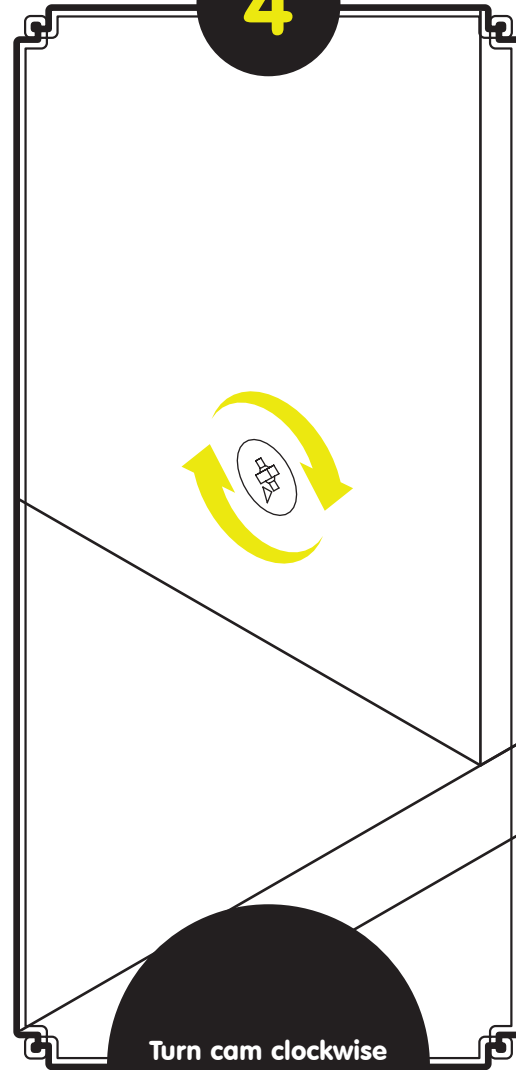
2



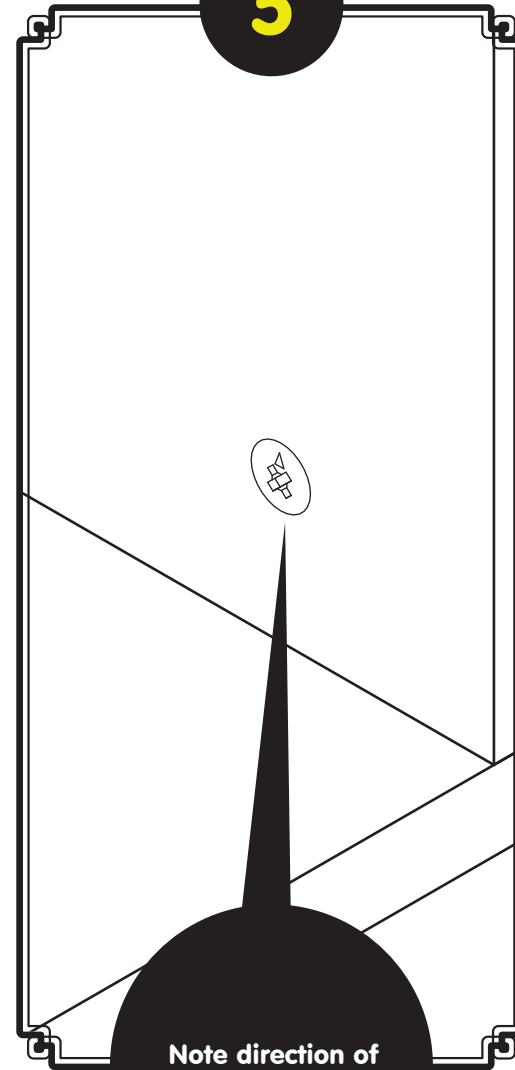
3



4

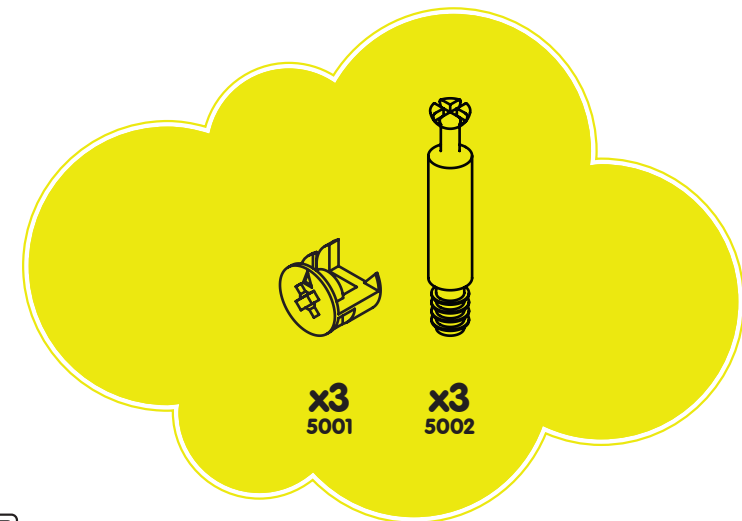
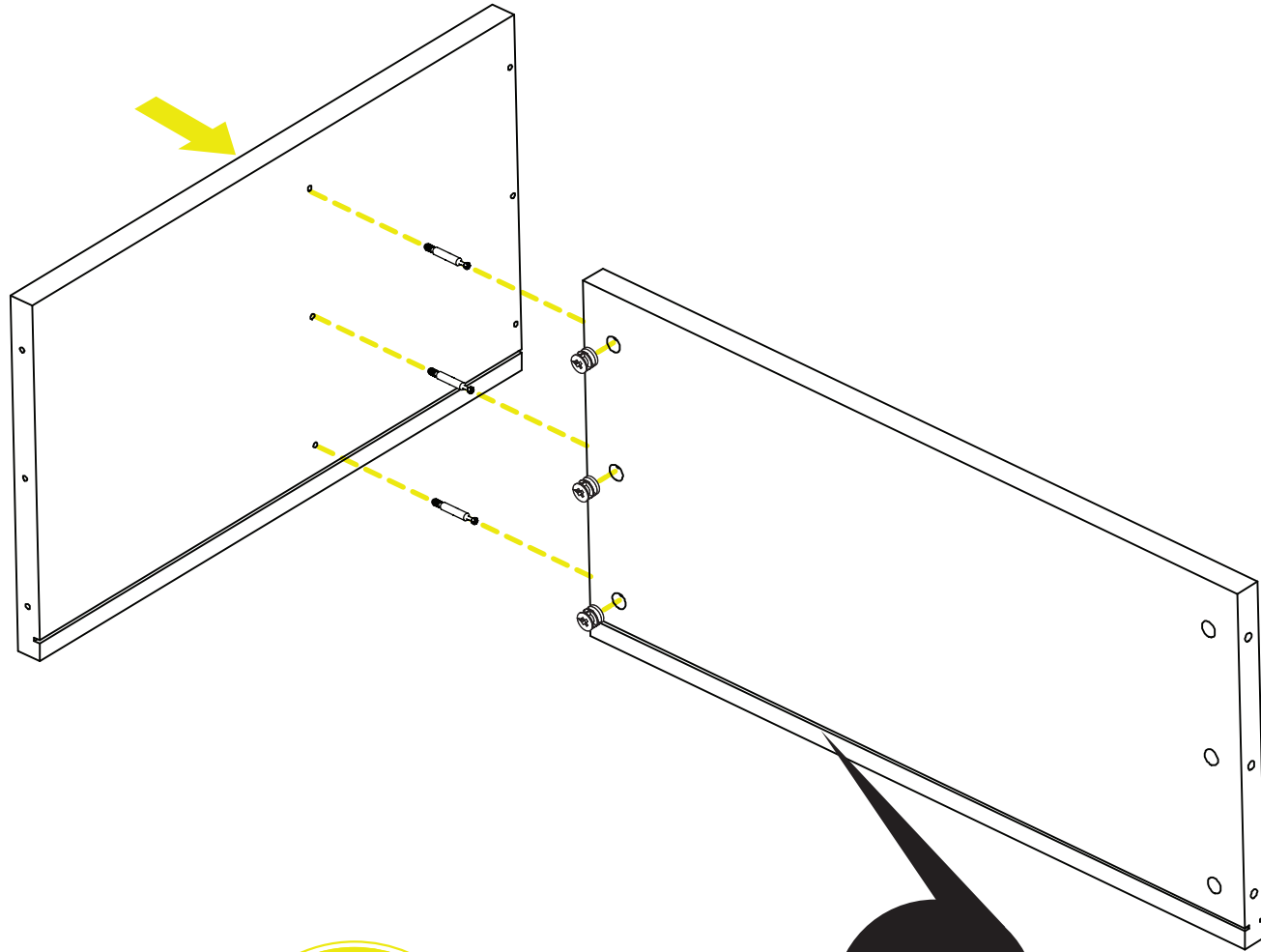


5

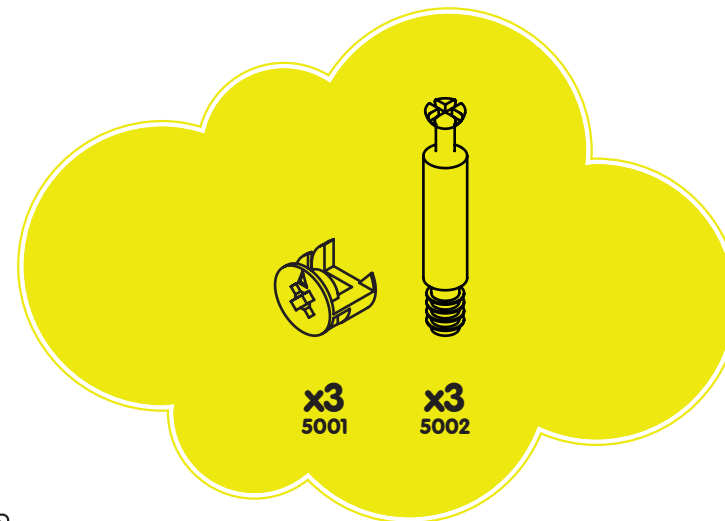
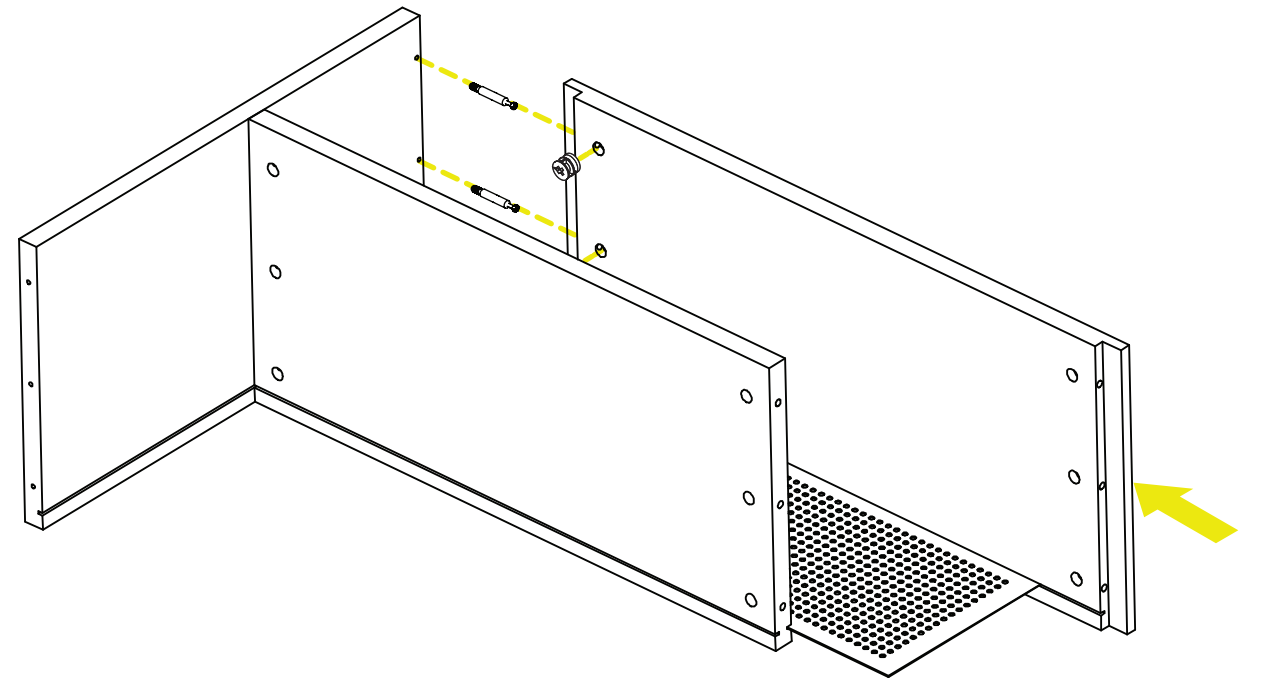


1

ASSEMBLE ON
CARPET OR
PROTECTIVE MAT

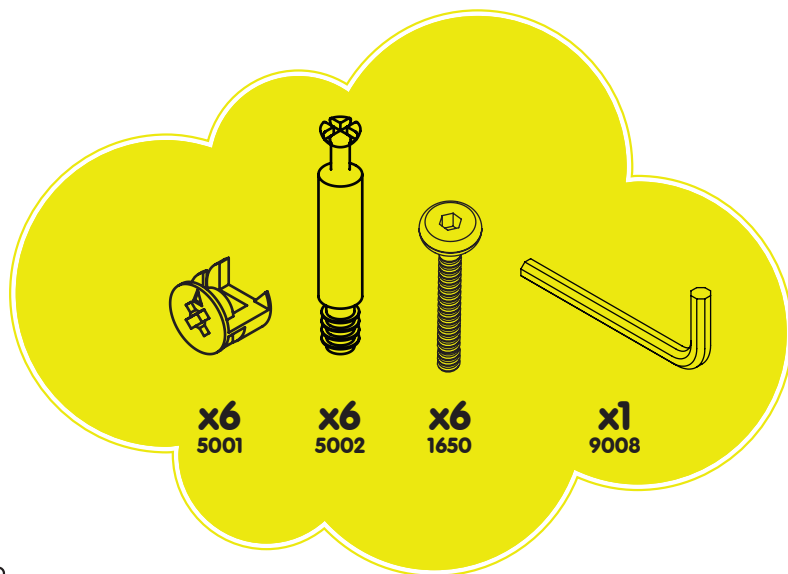
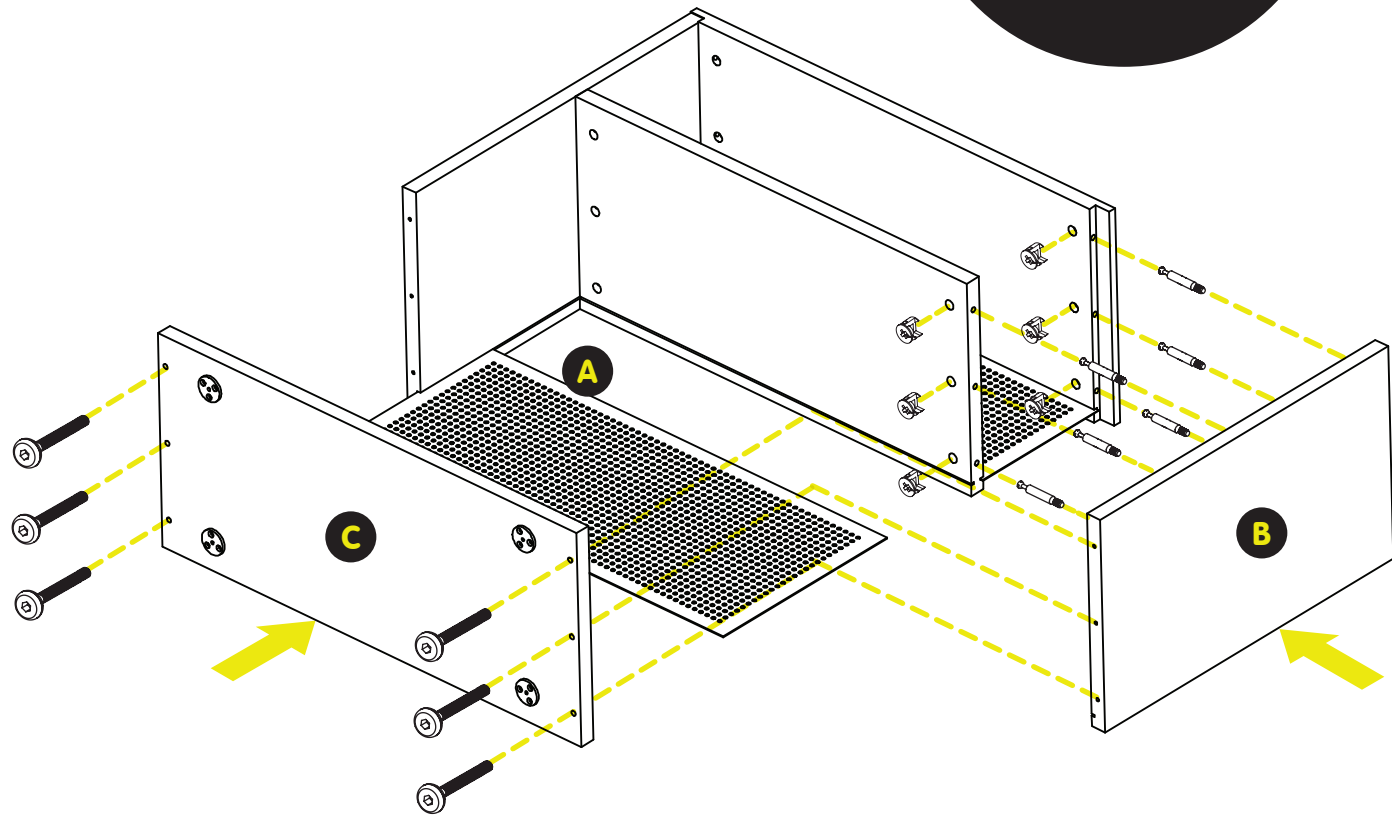


2



3

A, Position lower back panel into place. **B**, Attach side panel as shown. **C**, Attach bottom panel as shown.



4

