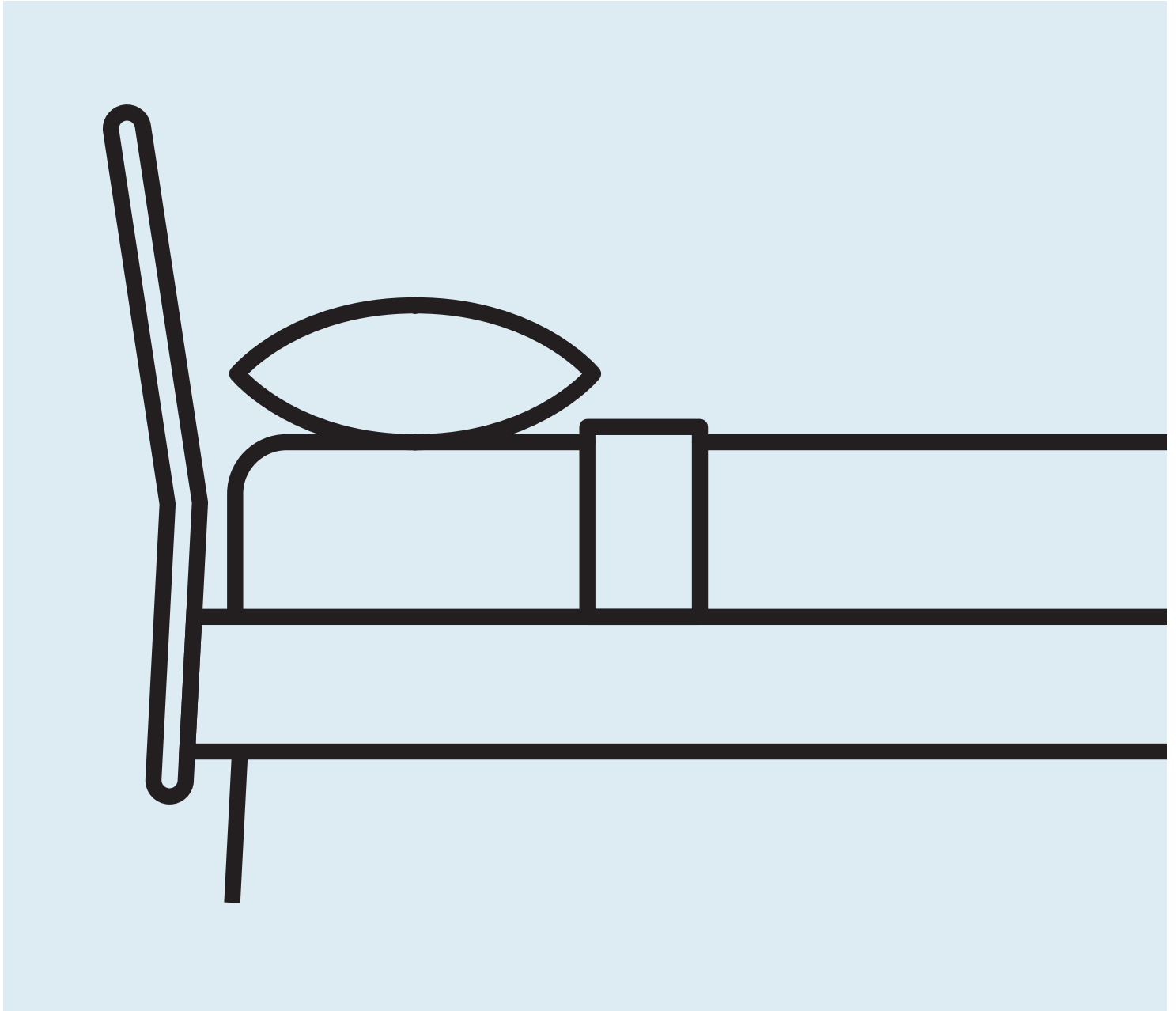


# Hush Bed Collection



DESIGNED IN 2011

ASSEMBLY NOTES | REV 00



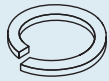
NEED A HAND?

Contact us at [service@bludot.com](mailto:service@bludot.com) or  
**844.425.8368** for assistance.

@BLUDOT

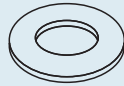
We design all our pieces in our Minneapolis studio. Follow  
along on Instagram for some sneak peeks into the process.

# Parts & Hardware



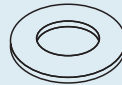
QTY 4

Pt. 3003



QTY 34\*

Pt. 3009



QTY 4

Pt. 3004



QTY 18\*

Pt. 1045



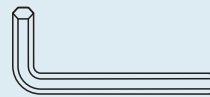
QTY 16

Pt. 1049



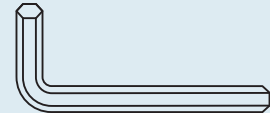
QTY 4

Pt. 1047



QTY 16

Pt. 9004



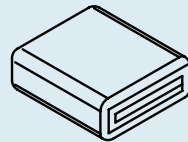
QTY 1

Pt. 9001



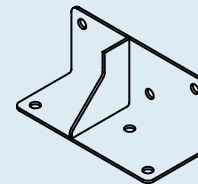
QTY 2

Pt. 5005



QTY 1

Slip Cover



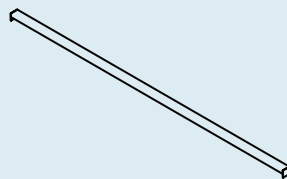
QTY 2

Corner Bracket



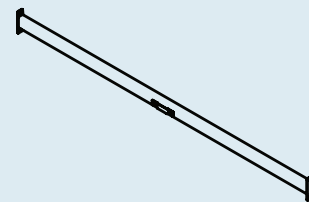
QTY 1\*

Center Leg



QTY 1\*

Center Rail

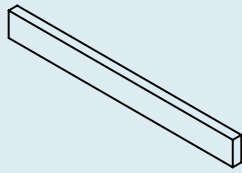


QTY 1

Support Rail

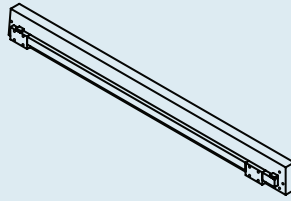
\*Twin bed size will come with reduced part quantities.

# Parts & Hardware



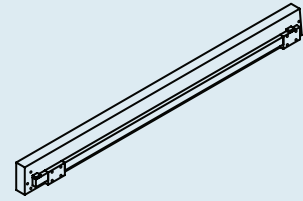
QTY 1

Footboard



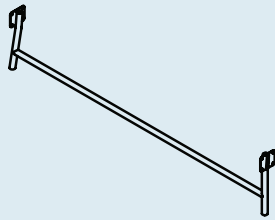
QTY 1

Left Side Rail



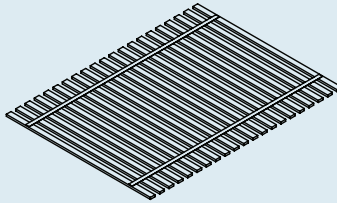
QTY 1

Right Side Rail



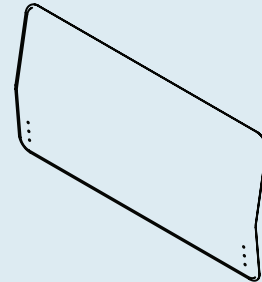
QTY 1

Leg Frame



QTY 1

Slats



QTY 1

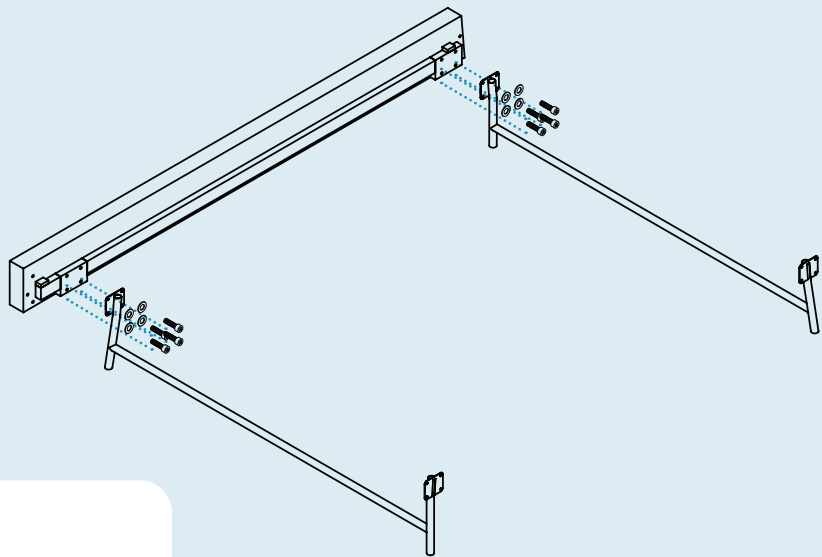
Headboard

## Step 01

### ATTACH LEG FRAME.

Assemble the bed on a soft, clean surface with the assistance of another individual.

Attach leg frames to left side rail using provided hardware as shown. Ensure that the legs angle outwards.



PT. 3009 x 8



PT. 1049 x 8

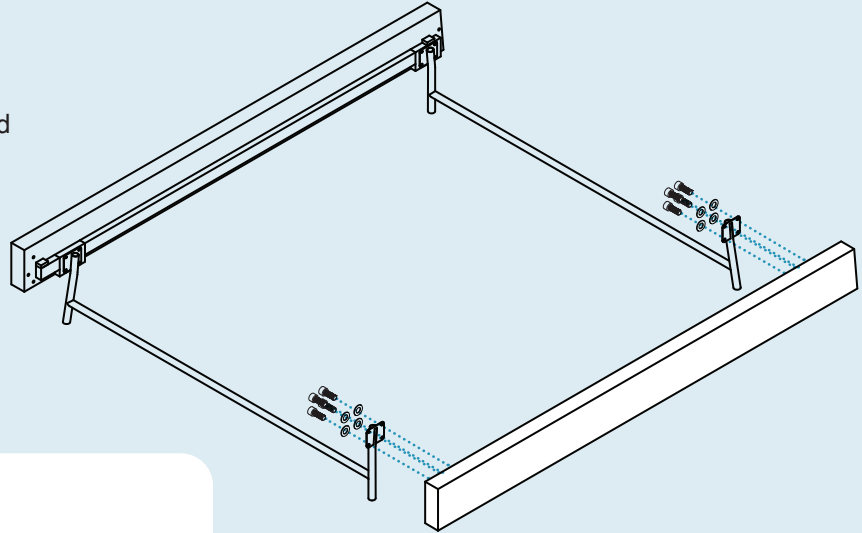


PT. 9004 x 1

## Step 02

### ATTACH RIGHT SIDE RAIL.

Attach right side rail using provided hardware as shown.



PT. 3009 x 8



PT. 1049 x 8

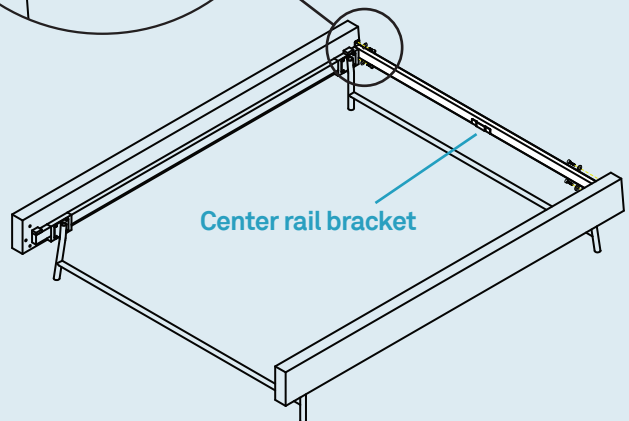
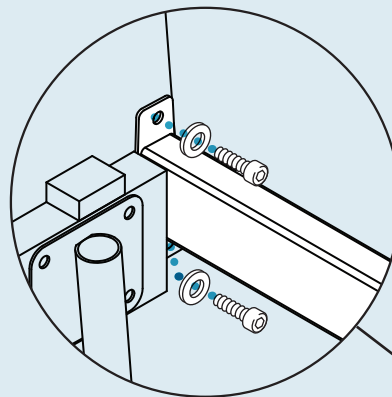


PT. 9004 x 1

## Step 03

### ATTACH SUPPORT RAIL.

Attach support rail using provided hardware as shown. Ensure that the center rail bracket is facing inwards on full, queen, and king size beds.



PT. 3009 x 4



PT. 1045 x 4

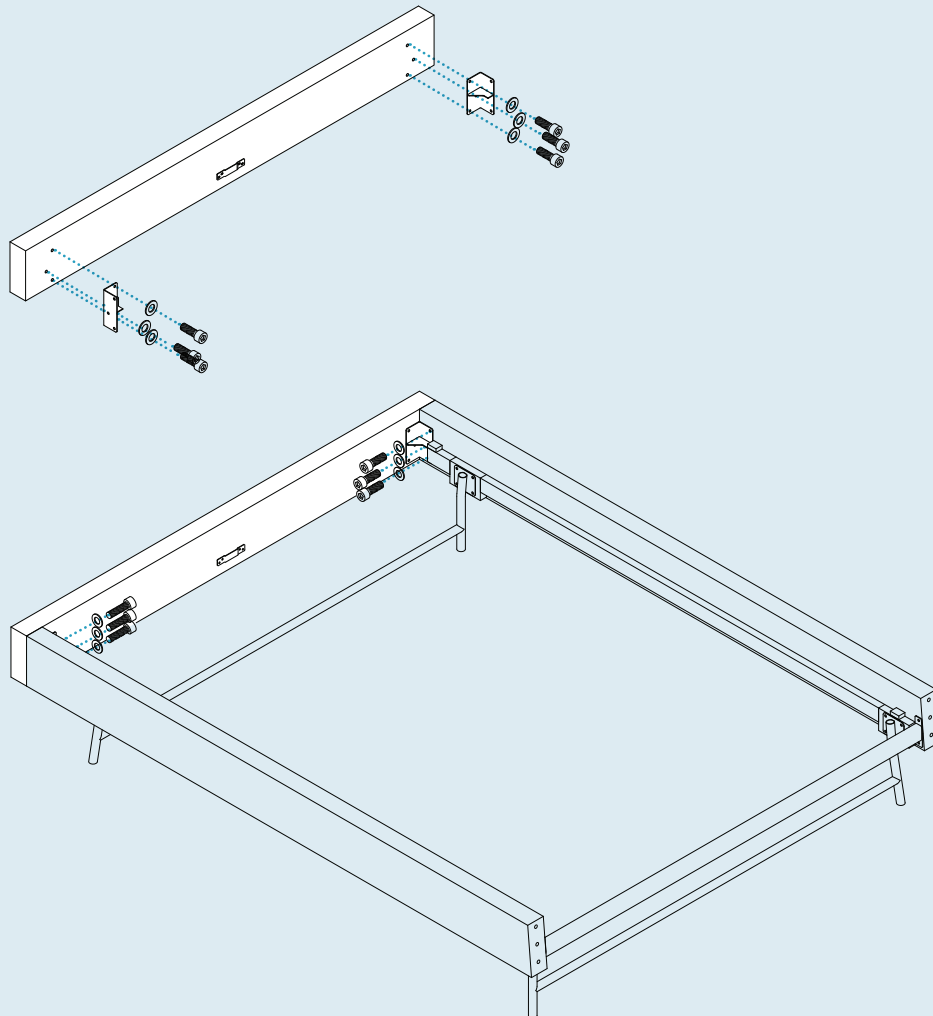


PT. 9004 x 1

# Step 04

## ATTACH FOOTBOARD.

Attach corner brackets to footboard and secure footboard in place using provided hardware as shown. Do not fully tighten the hardware until all of the bolt locations are aligned.



PT. 3009 x 12



PT. 1045 x 12

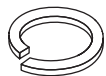
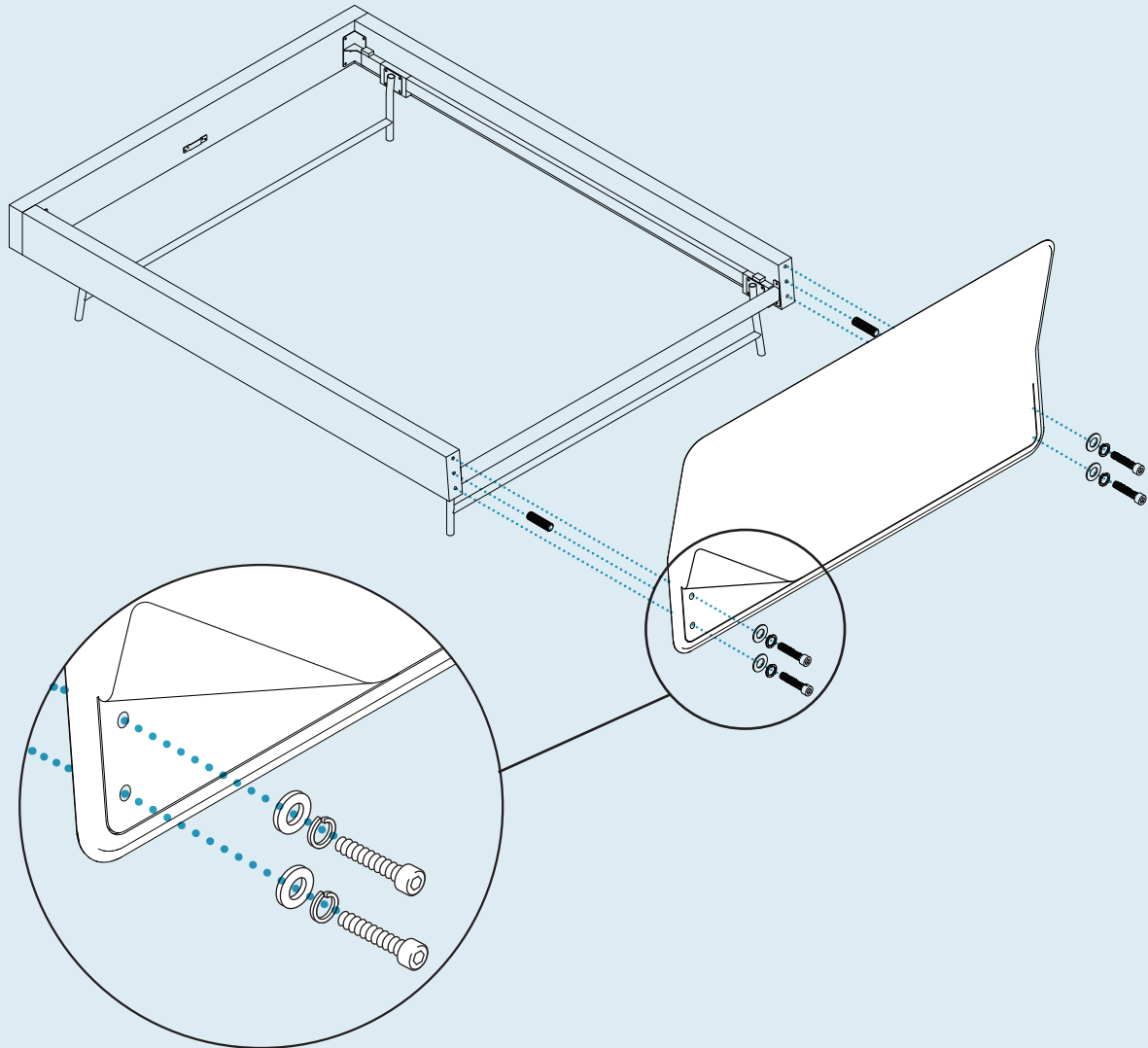


PT. 9004 x 1

# Step 05

## ATTACH HEADBOARD

Unzip the back of the headboard to access the bolt locations. Attach headboard and to siderails using provided hardware as shown.



PT. 3003 x 4



PT. 3004 x 4



PT. 1047 x 4



PT. 5005 x 2



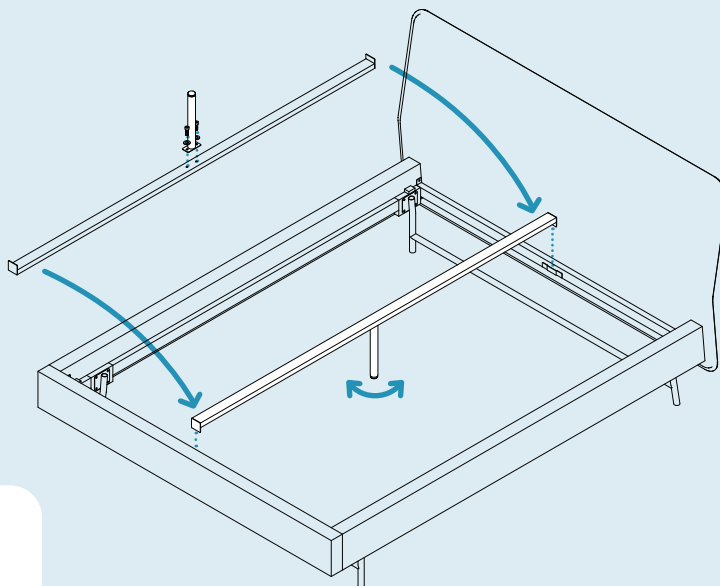
PT. 9001 x 1

## Step 06

### ATTACH CENTER RAIL.

Attach center leg to center rail using provided hardware as shown. Place center rail in brackets located on the support rail and footboard as shown. Turn adjustable glides on center legs clockwise or counterclockwise as needed to level bed.

**Note:** Twin beds will not have a center rail/leg.



PT. 3009 x 2\*



PT. 1045 x 2\*

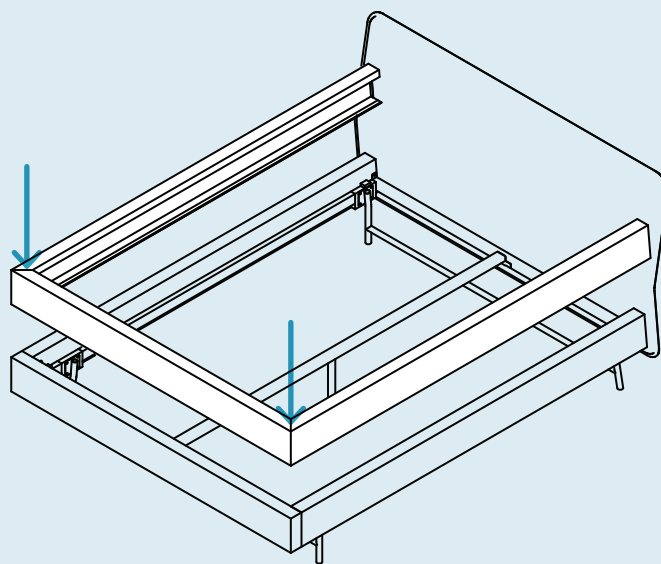


PT. 9004 x 1

## Step 07

### ATTACH SLIP COVER.

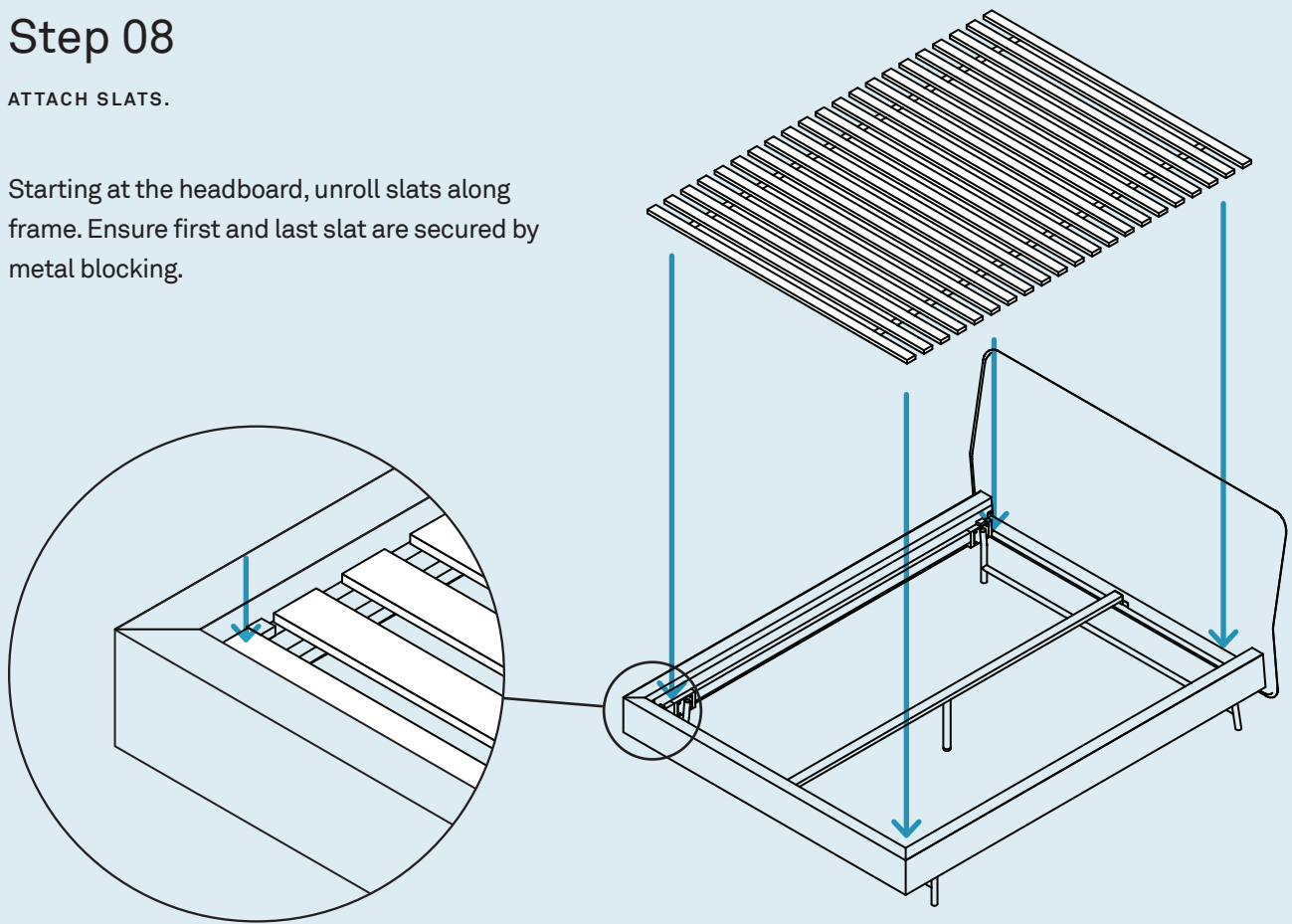
Starting at the headboard, secure hook and loop fasteners between side frame rails and headboard. Continue toward footboard keeping edges smooth and in line with frame edges.



## Step 08

### ATTACH SLATS.

Starting at the headboard, unroll slats along frame. Ensure first and last slat are secured by metal blocking.



## Additional Information

### CLEAN

Vacuum your upholstery regularly.

### SPILLS

Act quickly with spills. Absorb the spill with a clean white cloth or paper towel. Never rub the surface. Do not use water or other liquids to clean, as they may stain the fabric. Consult a commercial cleaning specialist for removal of stubborn stains.

### AVOID

Keep upholstery & felt furniture out of direct sunlight and away from heat sources; excessive exposure to sunlight may fade the color of the upholstery. Avoid placing heavy or sharp objects on the furniture surface for long periods of time; this can cause permanent indentations in the fabric. For snags in the fabric, tuck loose threads into fabric or carefully push to reverse side. Never pull out or cut off loose threads.

