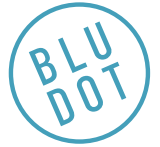
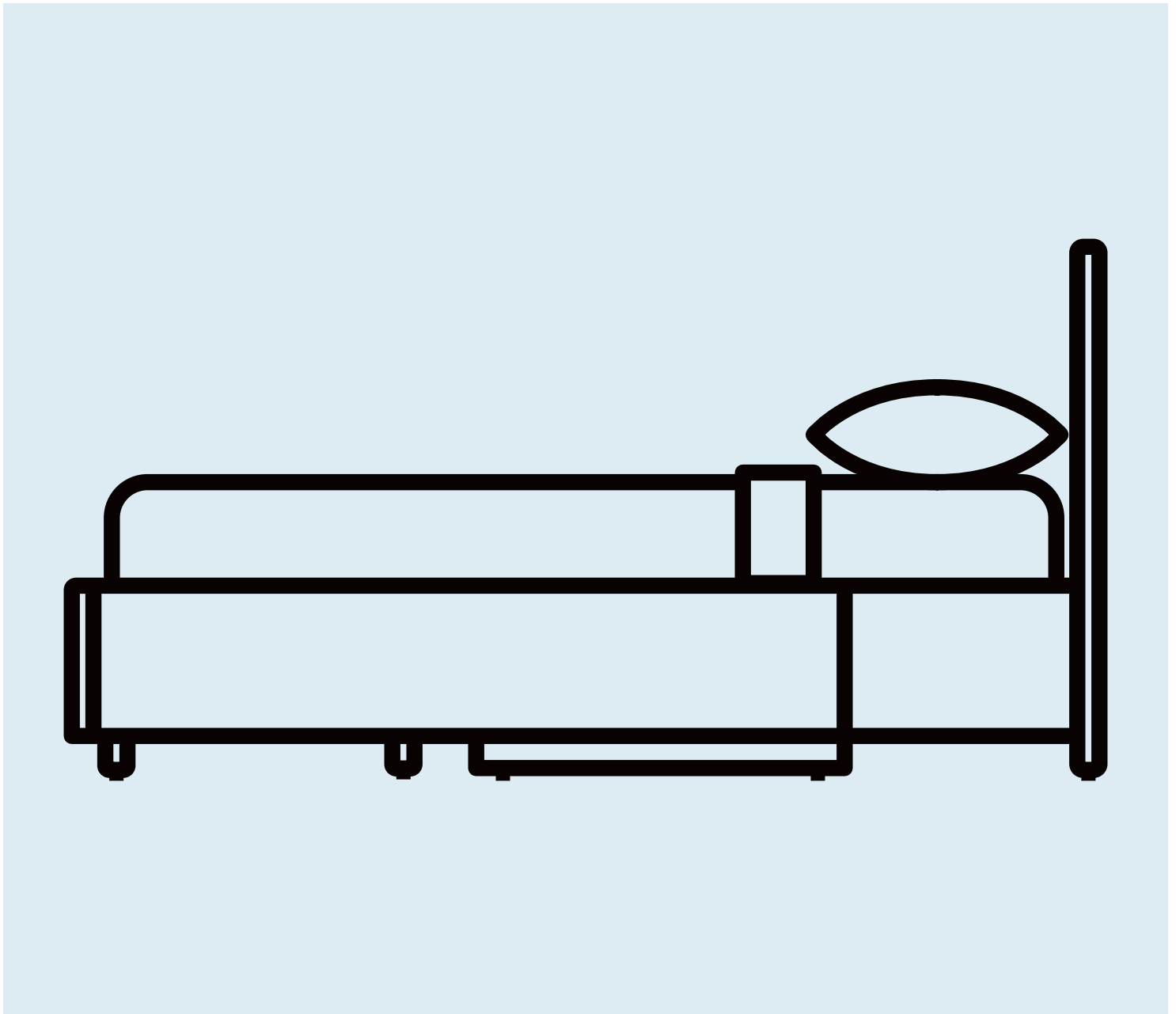


Homecoming Storage Bed



DESIGNED IN 2021

ASSEMBLY NOTES | REV 00



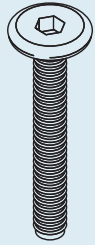
NEED A HAND?

Contact us at service@bludot.com or
844.425.8368 for assistance.

@BLUDOT

We design all our pieces in our Minneapolis studio. Follow
along on Instagram for some sneak peeks into the process.

Box 1 Hardware Pack



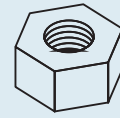
QTY 12

Pt. 1606



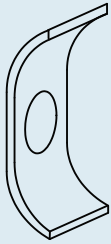
QTY 6

Pt. 8056



QTY 6

Pt. 2001



QTY 6

Pt. 8057



QTY 36

Pt. 5013



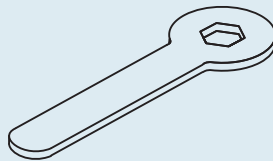
QTY 10

Pt. 5000



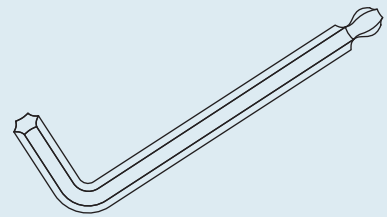
QTY 10

Pt. 4999



QTY 1

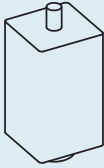
Pt. 9034



QTY 1

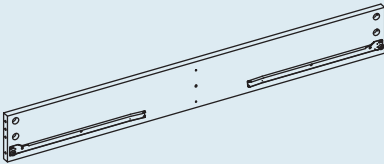
Pt. 9016

Box 1 Parts



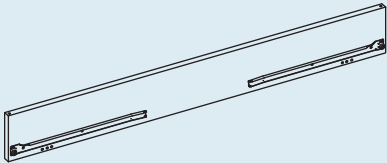
QTY 6

Leg



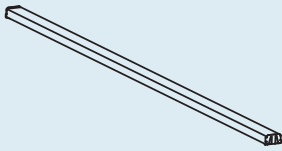
QTY 1

Rear Brace



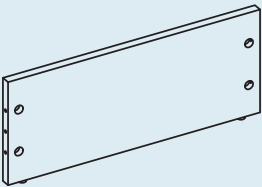
QTY 1

Front Brace



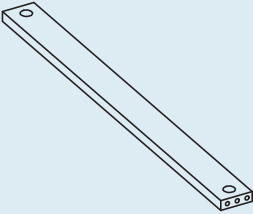
QTY 1

Center Support



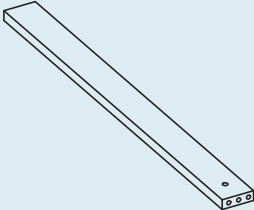
QTY 1

Center Leg



QTY 1

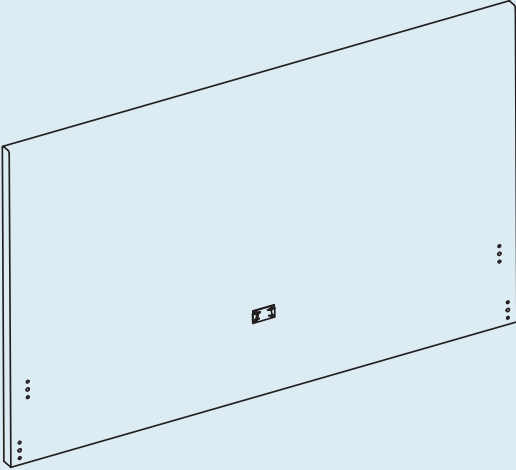
Center Brace



QTY 2

Front Leg Brace

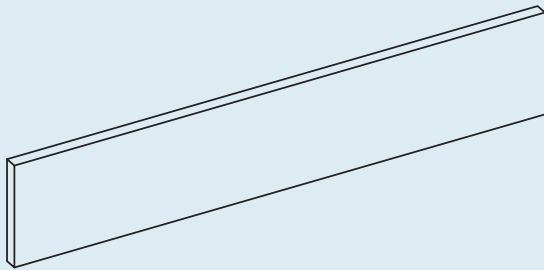
Box 2 Parts



QTY 1

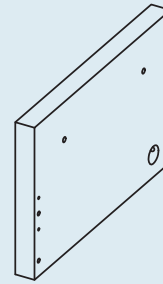
Headboard

Box 3 Parts



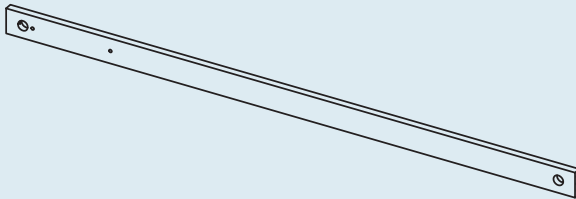
QTY 1

Footboard



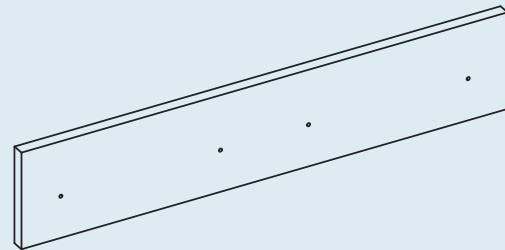
QTY 2

Side Panel



QTY 2

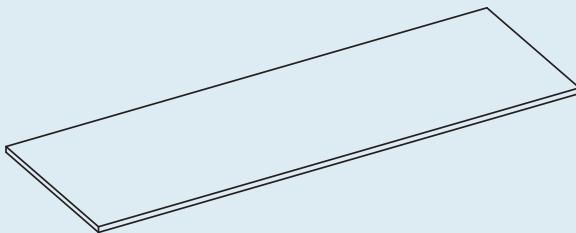
Side Rail



QTY 2

Drawer Front

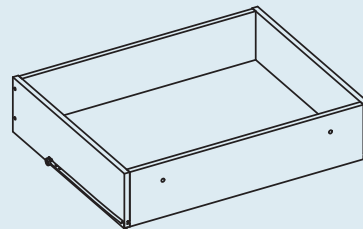
Box 4 Parts



QTY 4

Mattress Support

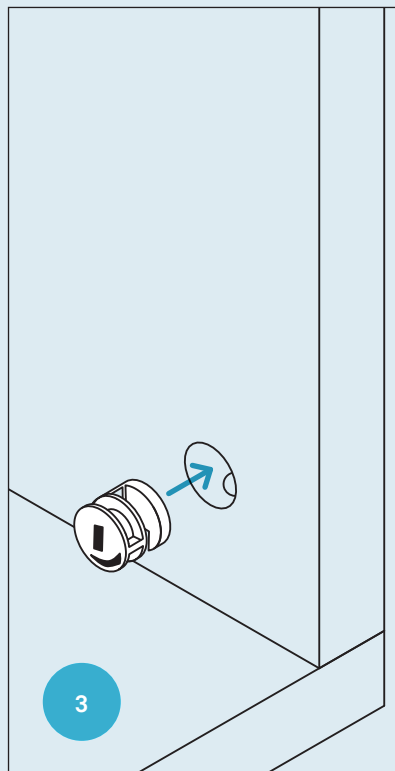
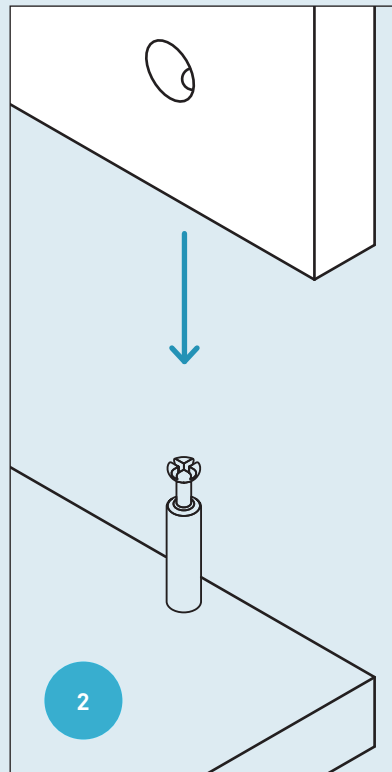
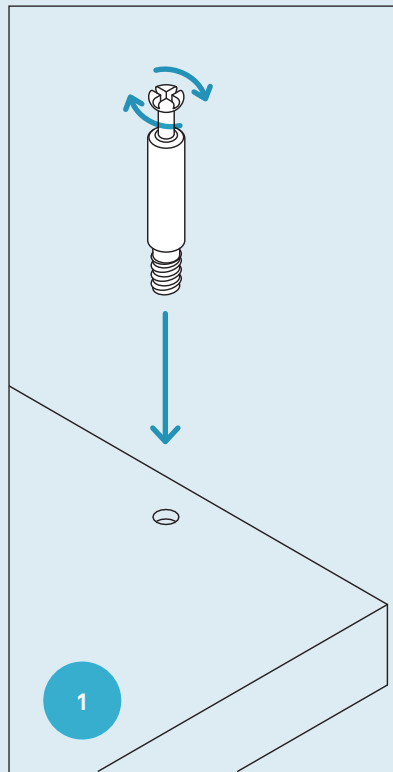
Box 5 Parts



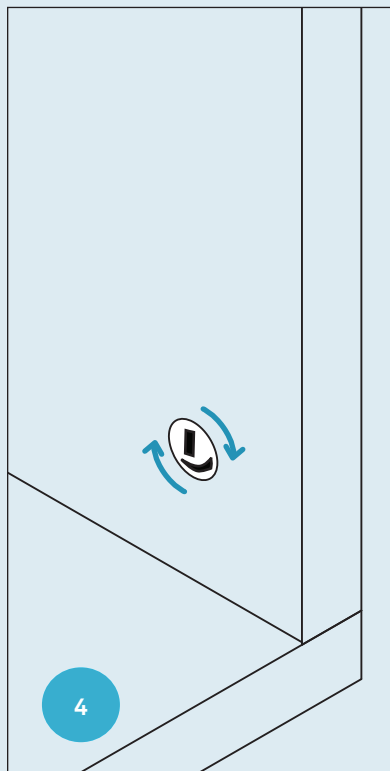
QTY 4

Drawer Body

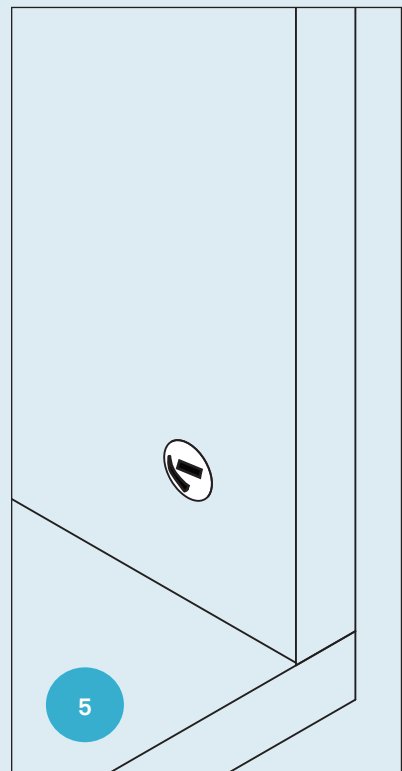
How to use the cam lock system



Note direction of cam.



Turn cam clockwise 1/2 turn or until tight.



Note direction of cam.

Step 01

ATTACH BRACES TO CENTER LEG.

Using the provided hardware, attach the front brace and the rear brace to the center foot as shown.

Please note: We recomend a team of two to assemble this bed.



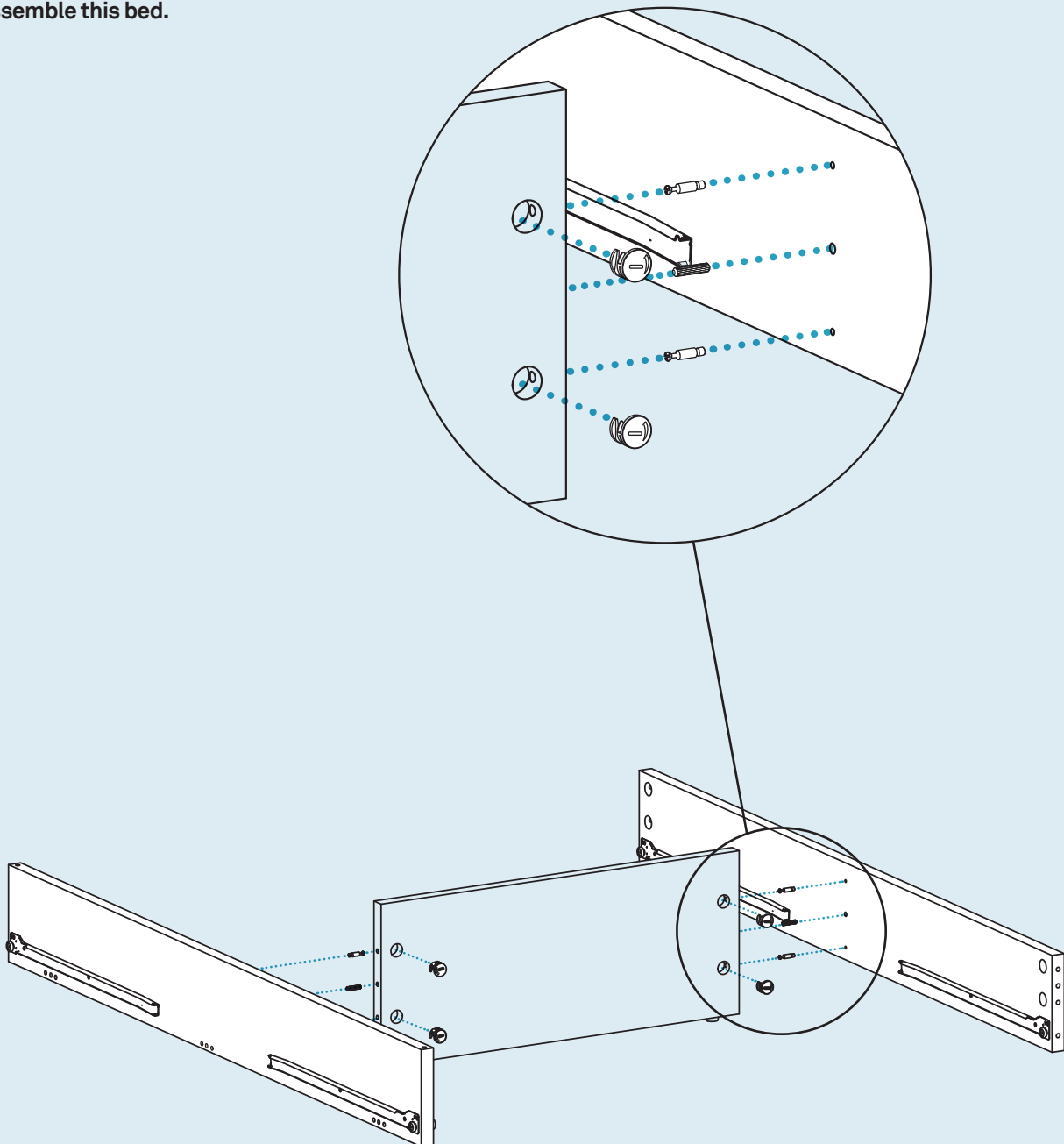
PT. 5013 x 2



PT. 4999 x 4



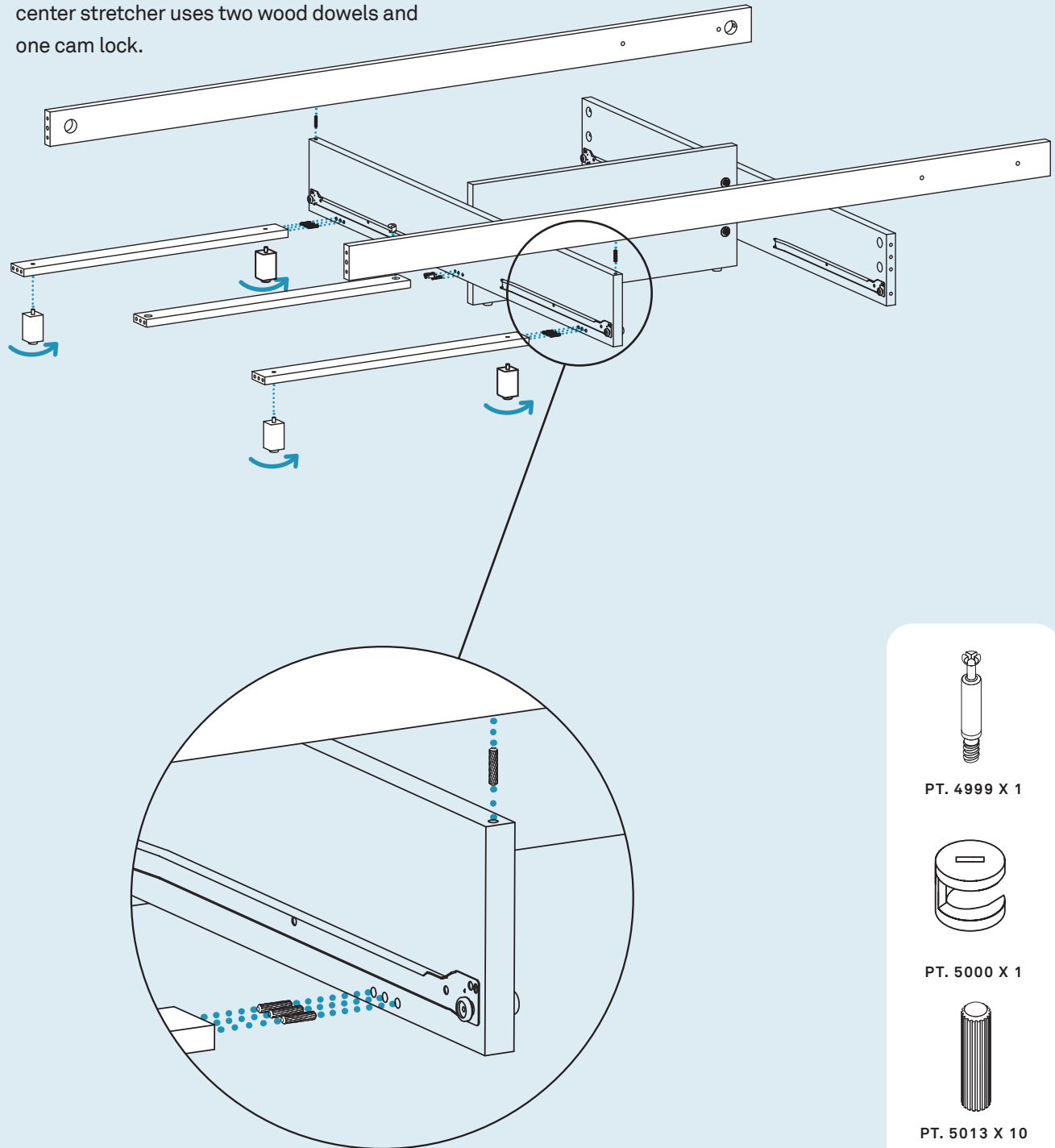
PT. 5000 x 4



Step 02

ATTACH THE SIDE RAILS AND STRETCHERS.

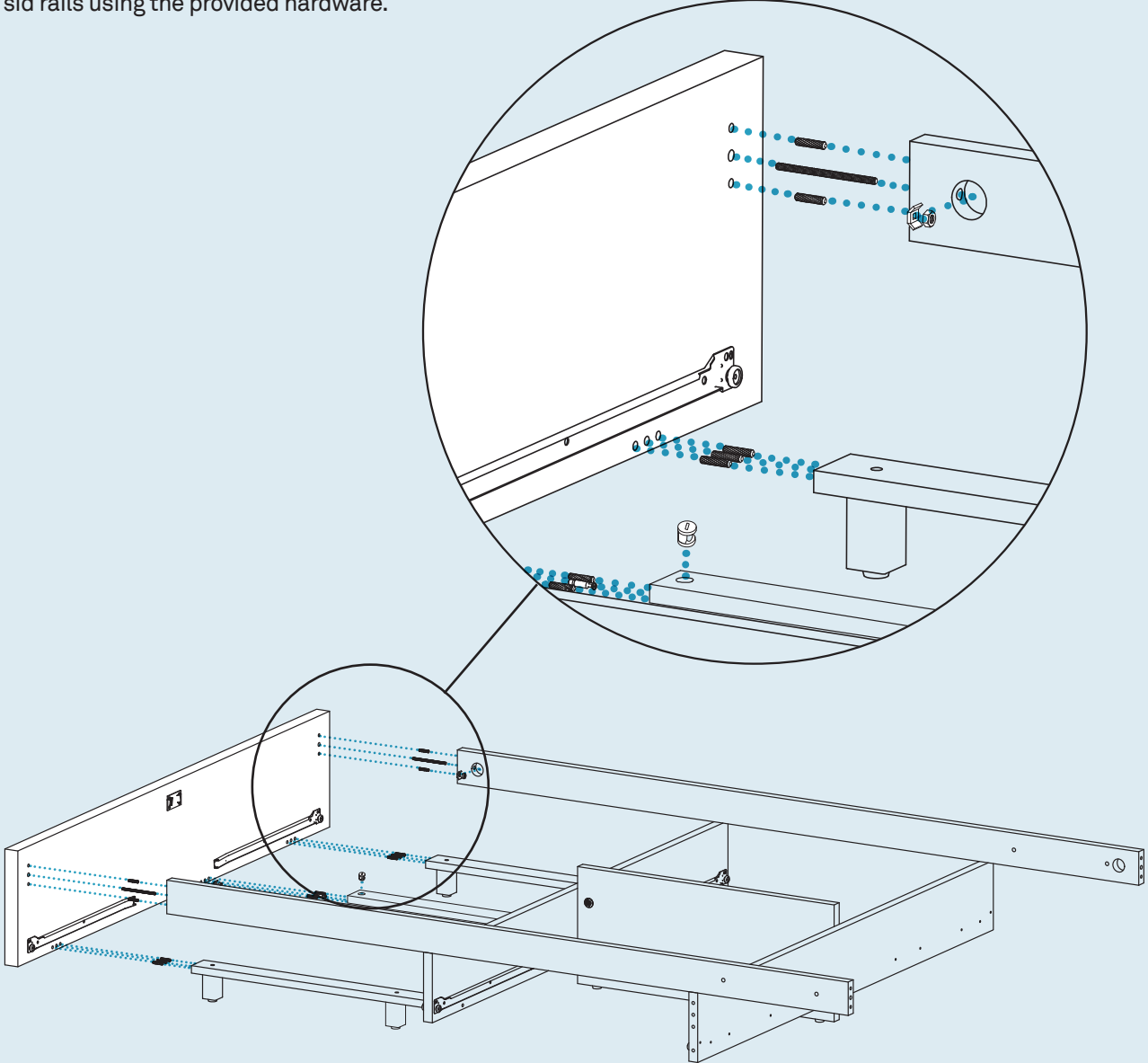
Screw the legs to the stretchers.
Then, attach the stretchers and side rails to the base using the provided wood dowels. The center stretcher uses two wood dowels and one cam lock.



Step 03

ATTACH THE FOOT BOARD.

Attach the footboard to the stretchers and sid rails using the provided hardware.



PT. 4999 x 1



PT. 5000 x 1



PT. 5013 x 12



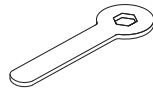
PT. 8056 x 2



PT. 8057 x 2



PT. 2001 x 2



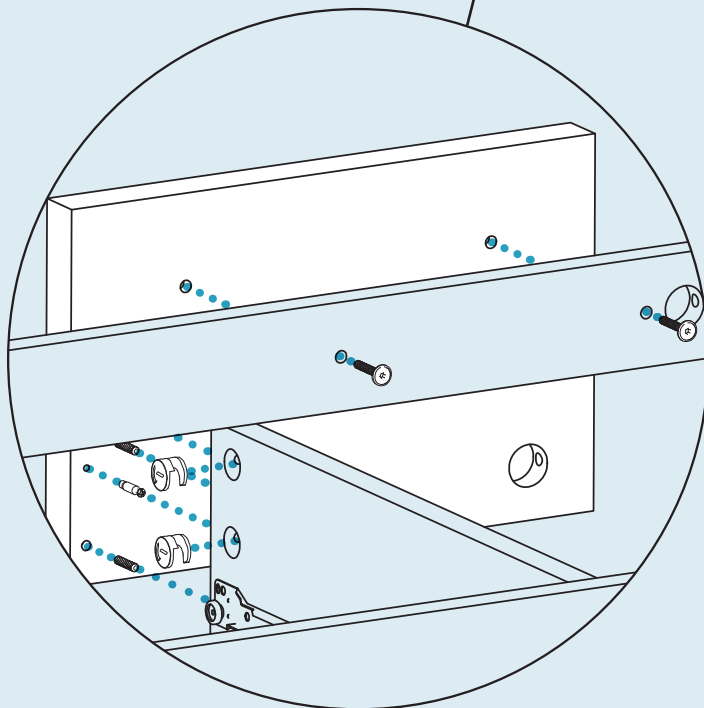
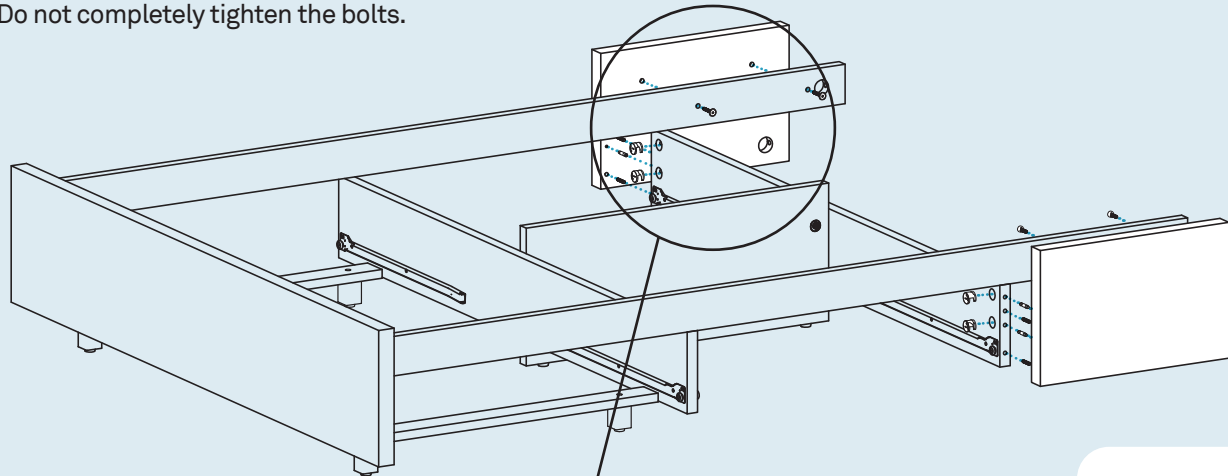
PT. 9034 x 1

Step 04

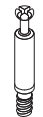
INSTALL THE SIDE PANELS.

Attach the side panels using the provided hardware.

Do not completely tighten the bolts.



PT. 5013 X 4



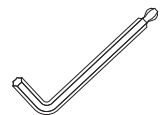
PT. 4999 X 4



PT. 4999 X 4



PT. 1606 X 4



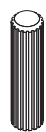
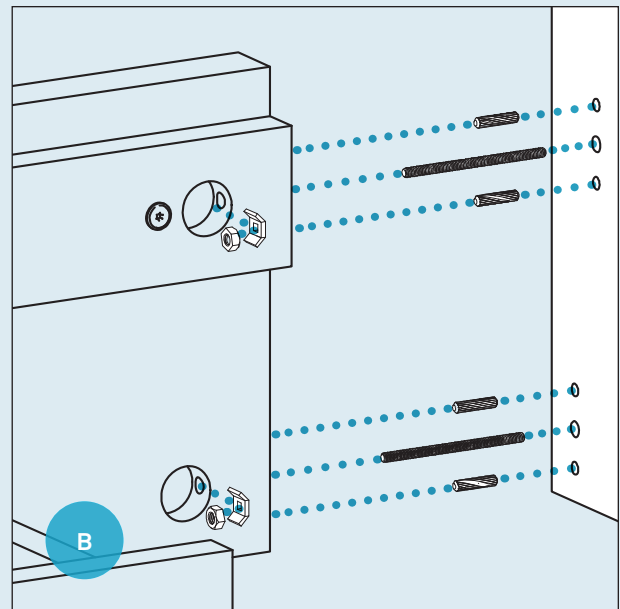
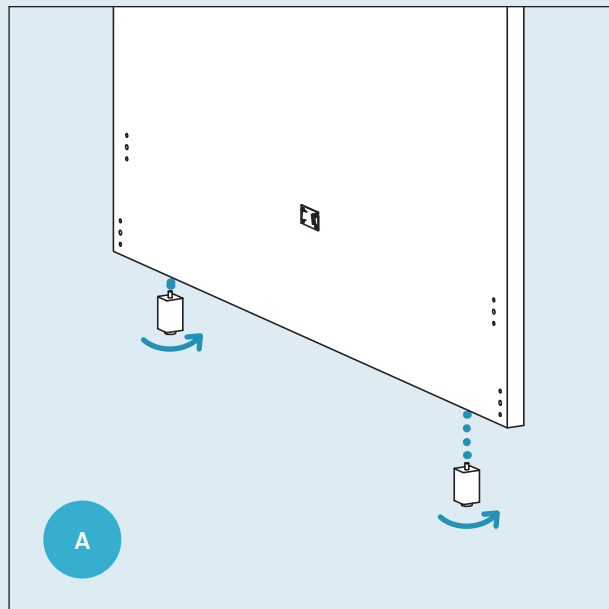
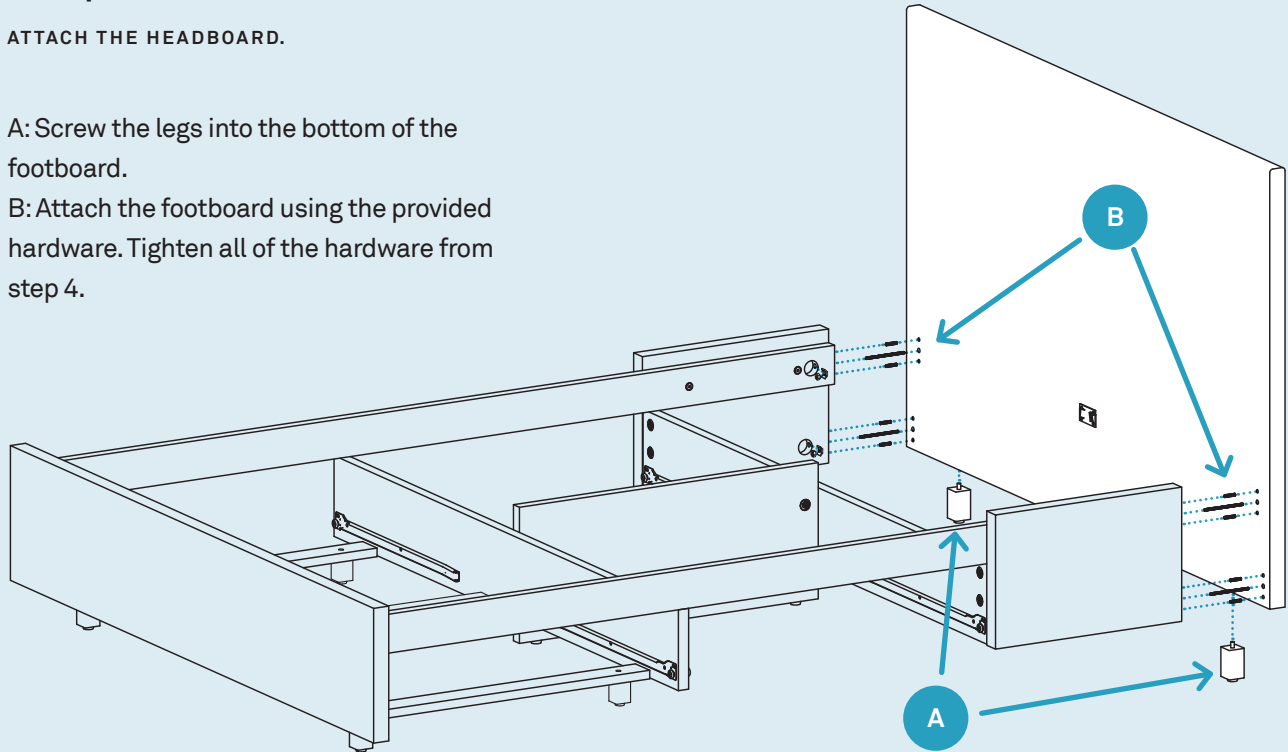
PT. 9016 X 1

Step 05

ATTACH THE HEADBOARD.

A: Screw the legs into the bottom of the footboard.

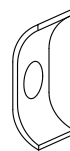
B: Attach the footboard using the provided hardware. Tighten all of the hardware from step 4.



PT. 5013 x 8



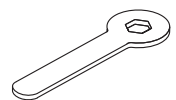
PT. 8056 x 4



PT. 8057 x 4



PT. 2001 x 4



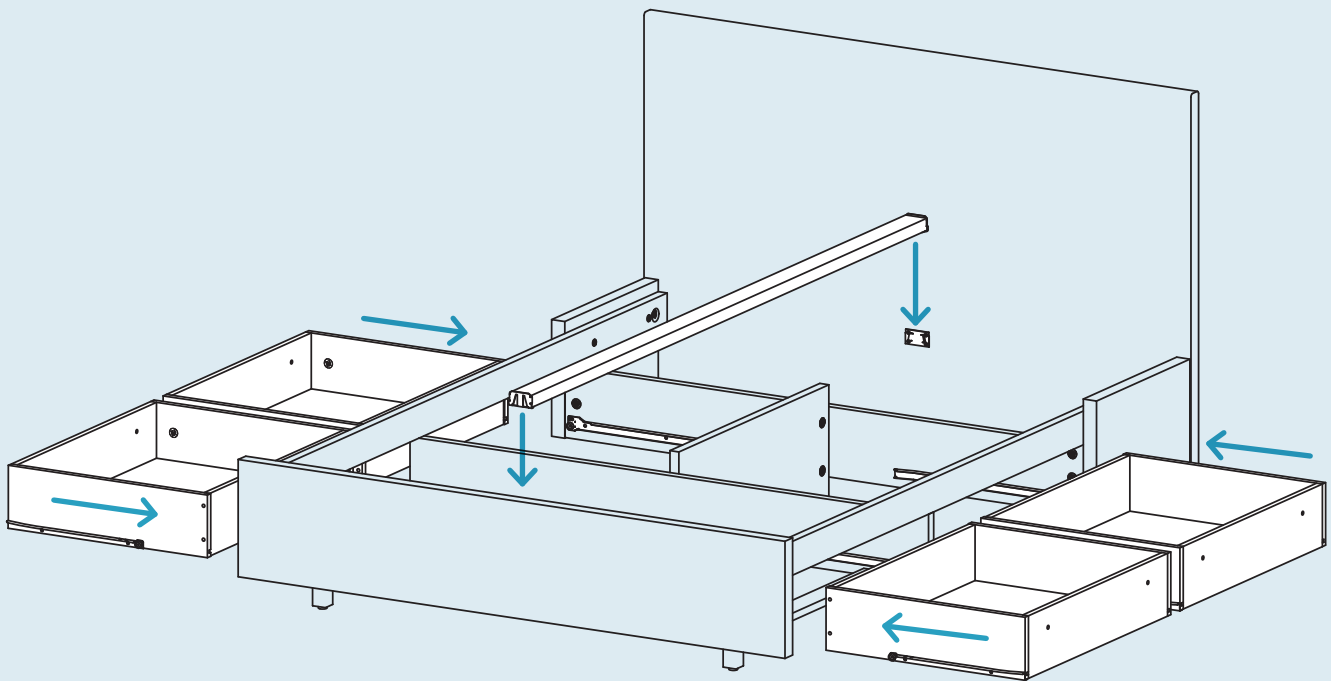
PT. 9016 x 1

Step 06

ATTACH CENTER SUPPORT AND DRAWERS.

Slide the center support into place as shown. Attach the drawers by setting the drawer slide on the drawer into the slides attached to the bed

Note: There is an extra hole on the center support that is not used in assembly.

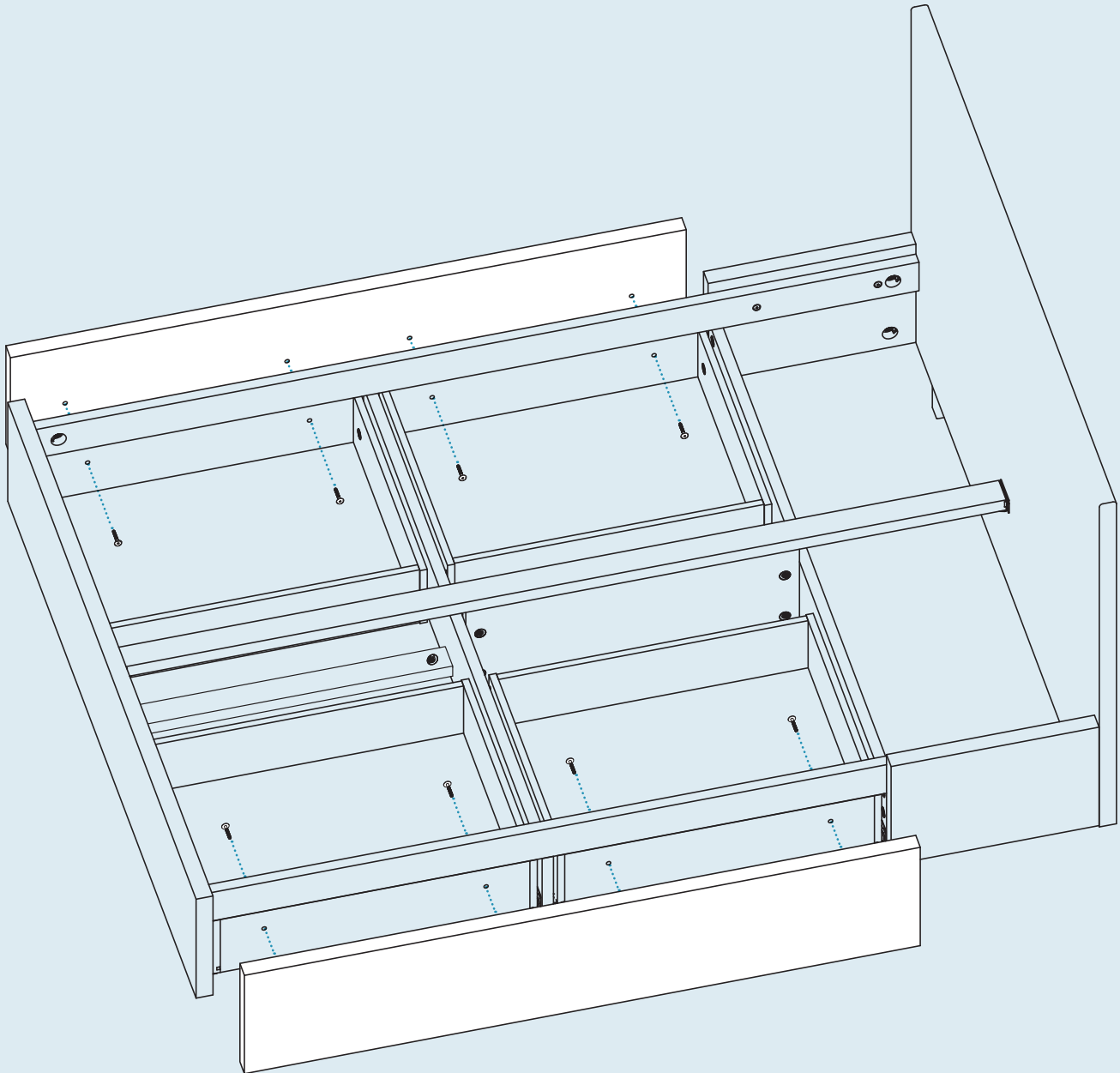
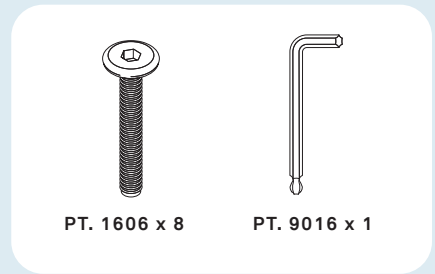


Step 07

INSTALL DRAWER FRONTS.

Loosely install the drawer fronts using the provided hardware.

After all bolts are installed, tighten the bolts.

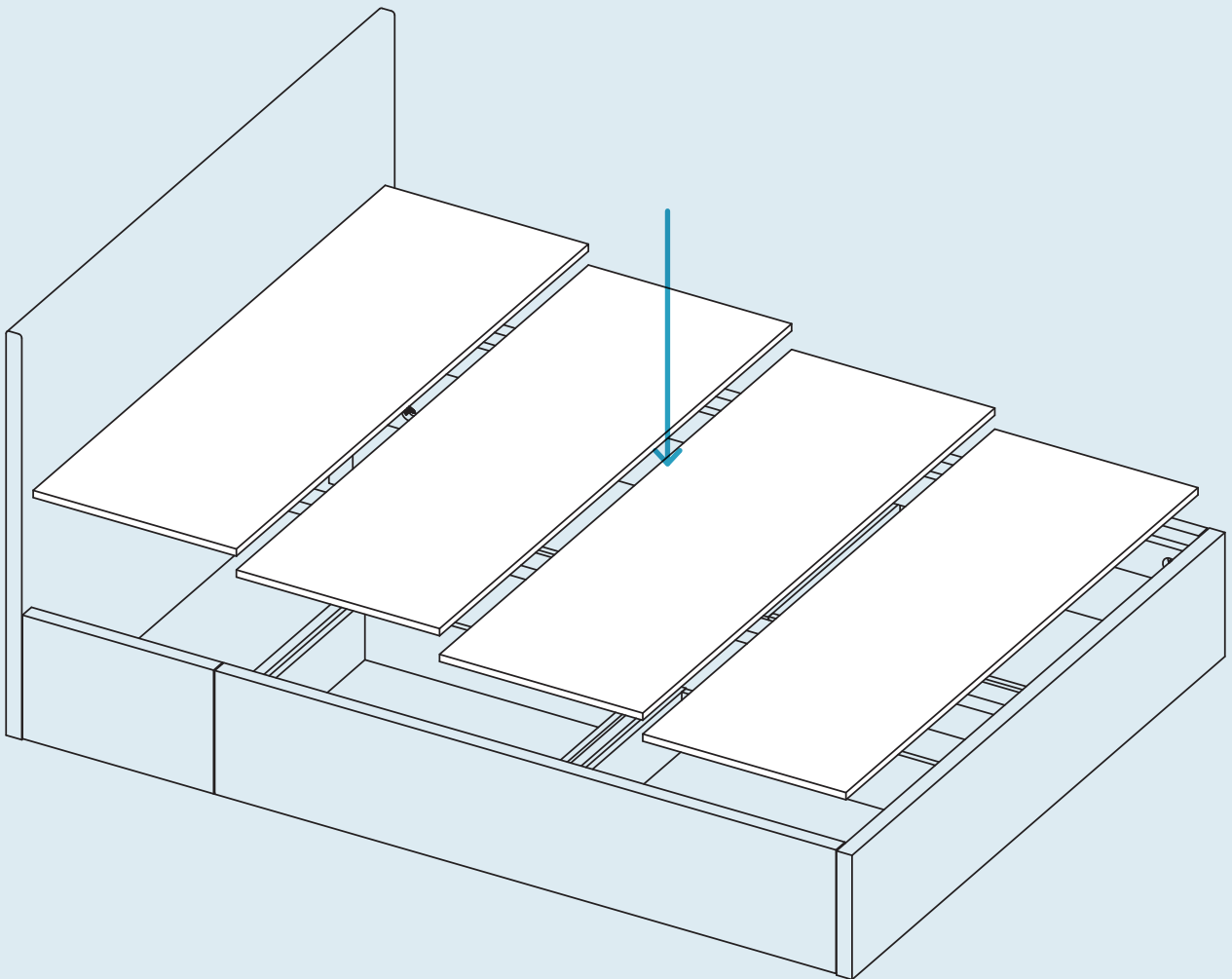


Step 08

ATTACH THE PLATFORM.

Place the platform panels on top of the side rails.

Hook and loop fasteners will keep panels in place.

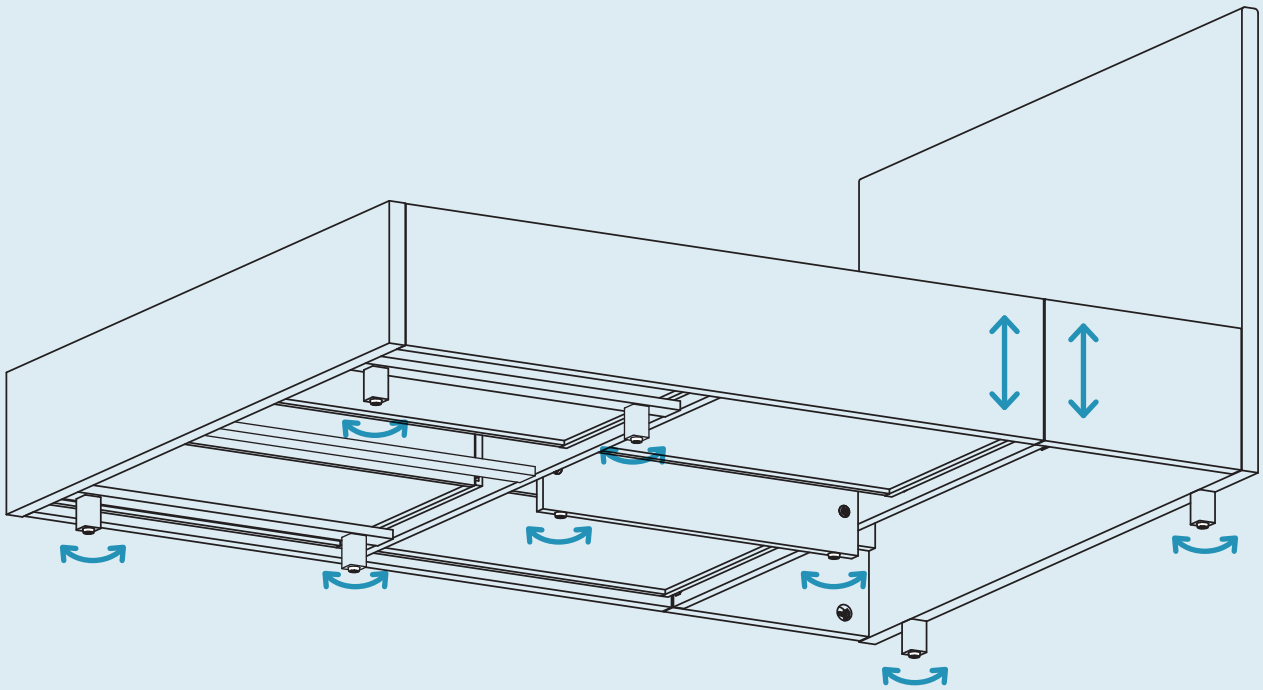


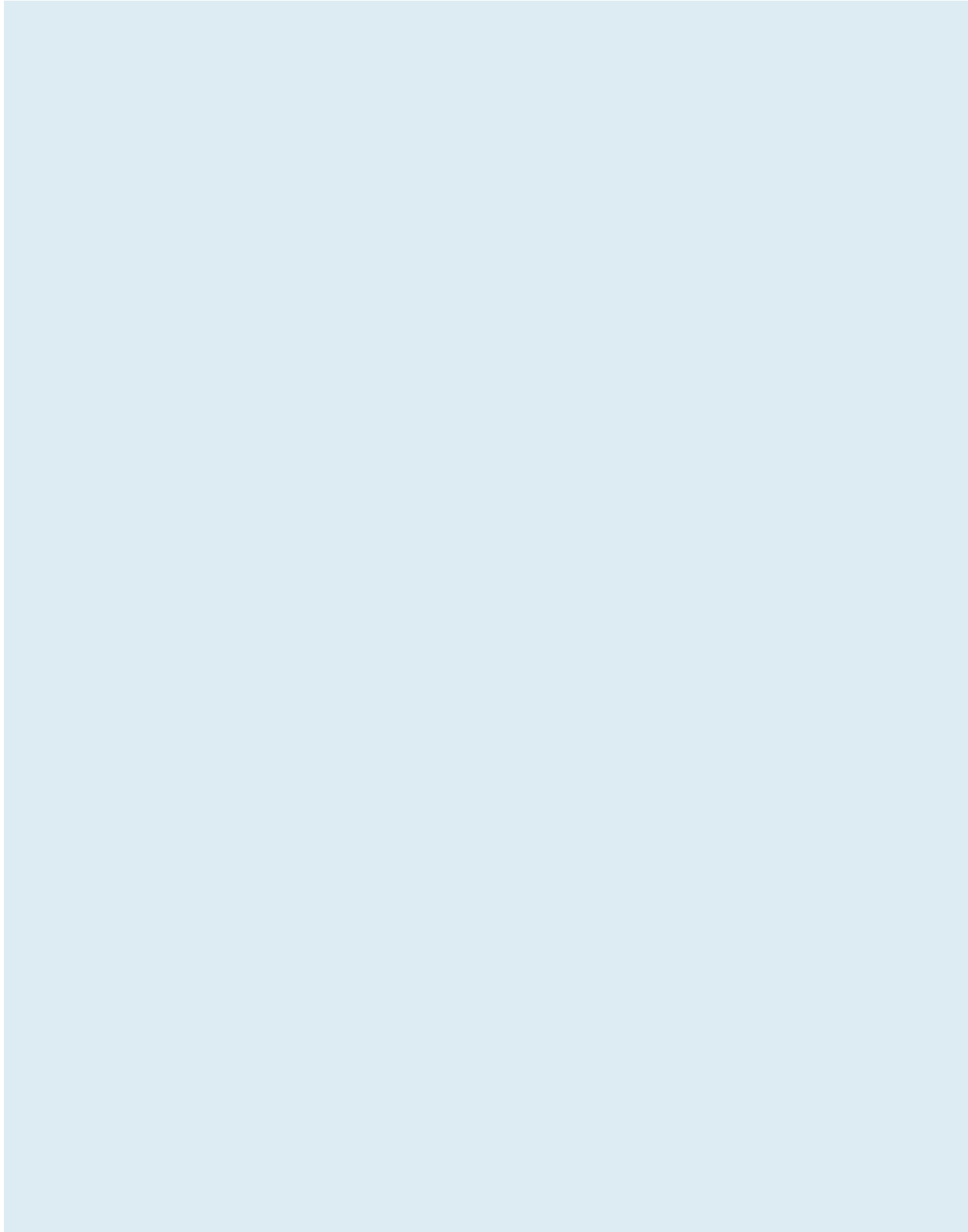
Step 09

LEVEL THE BED.

If necessary, level the bed by twisting the adjustable glides.

If the side panels and drawer fronts are not aligned, remove the platform panels and loosen the bolts. Hold the side panels in the appropriate position and re-tighten the bolts. The same procedure can be done for the drawer fronts





Additional Information

CLEAN

Clean with a slightly damp, soft cloth. To remove dirt and fingerprints, use a quality cleaner formulated for wood furniture. Wipe completely dry with a soft cloth in the direction of the wood grain.

