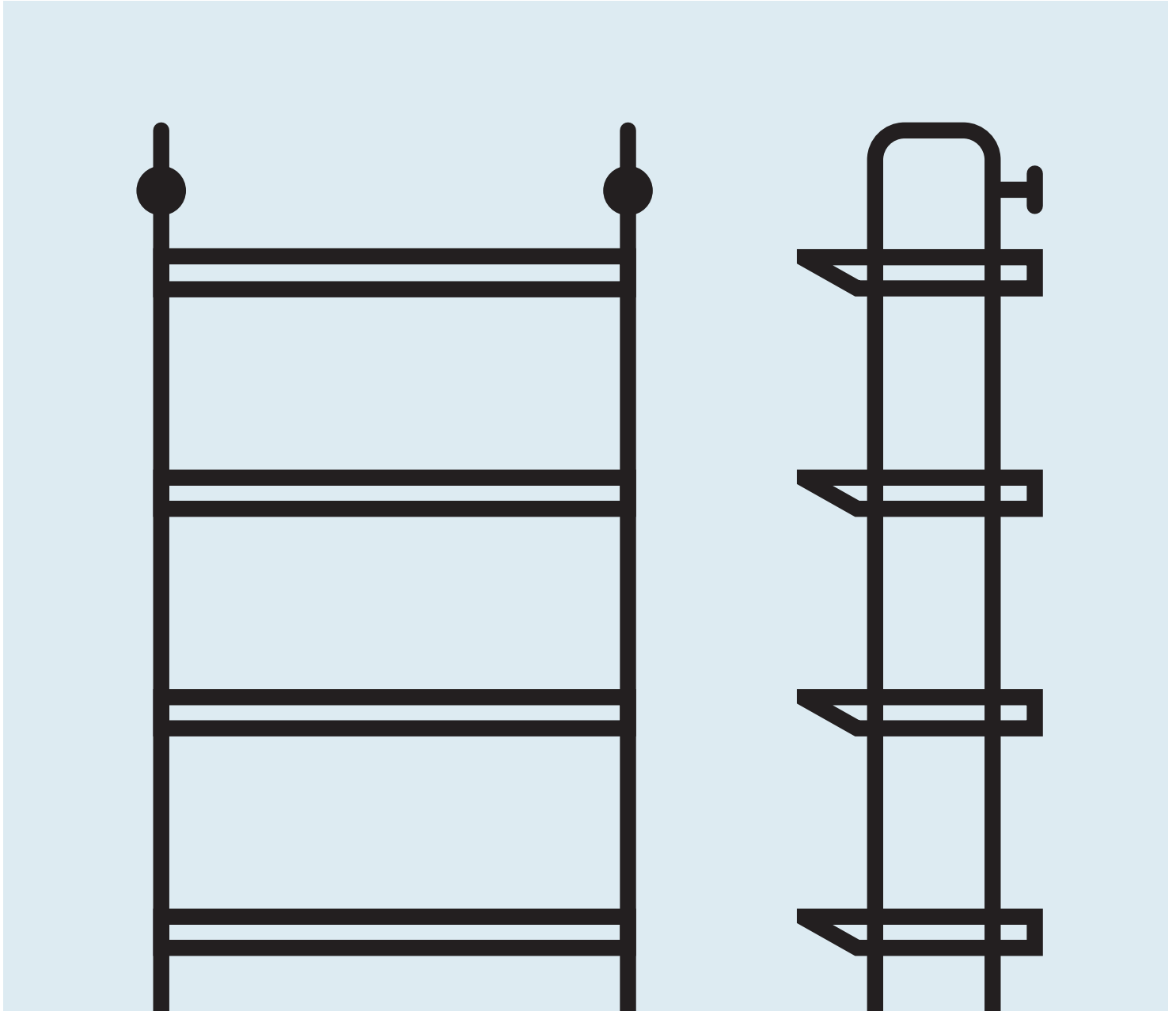
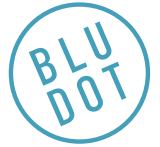


Hitch Starter Collection

DESIGNED IN 2013

ASSEMBLY NOTES | REV 00



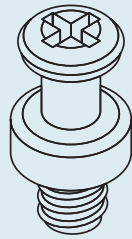
ABOUT TIME YOUR WALLS GOT HITCHED.

Powder coated uprights and wood shelves make you the master of your own book case destiny. Single units stand alone. Gang up multiples to create mass appeal.

NEED A HAND?

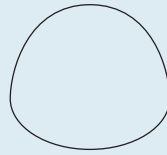
Contact us at service@bludot.com or **844.425.8368** for assistance.

Parts & Hardware



QTY 16*

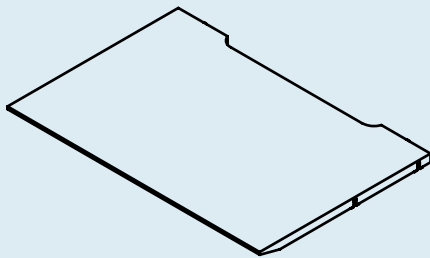
Pt. 5021



QTY 2

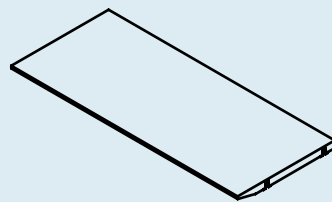
Pt. 8020

*Bookcase ships with x20 Pt 5021



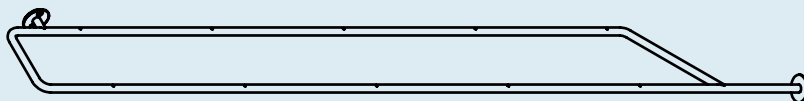
QTY 1†

Desk Panel



QTY 3†

Shelf Panel



QTY 2

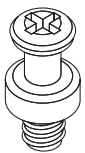
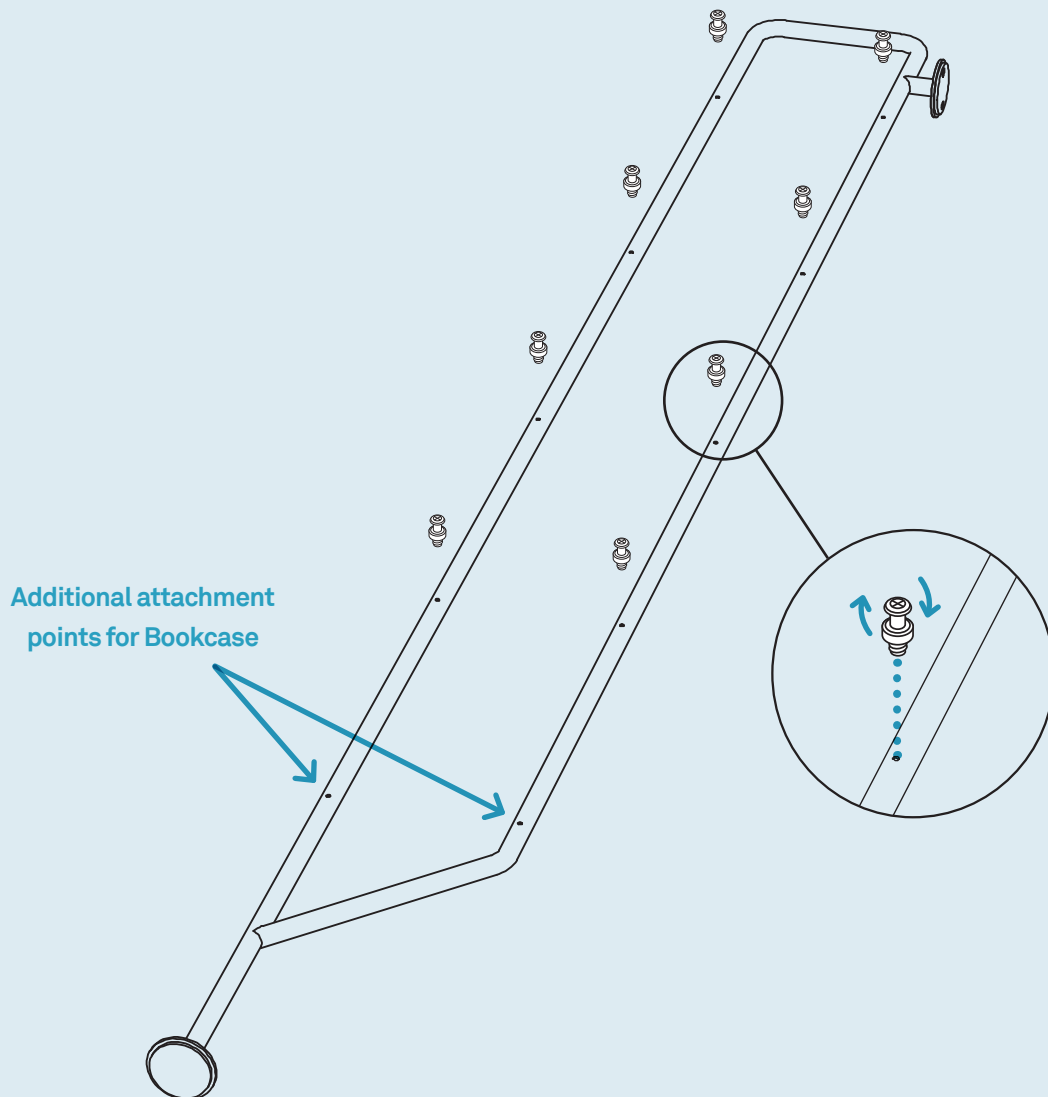
Side Frame

† Bookcase ships x5 Shelf Panels and x0 Desk Panels.

Step 01

ASSEMBLING THE SIDE FRAMES.

Using a phillips head screwdriver, attach hardware to side frame as shown. Repeat for remaining side frame.

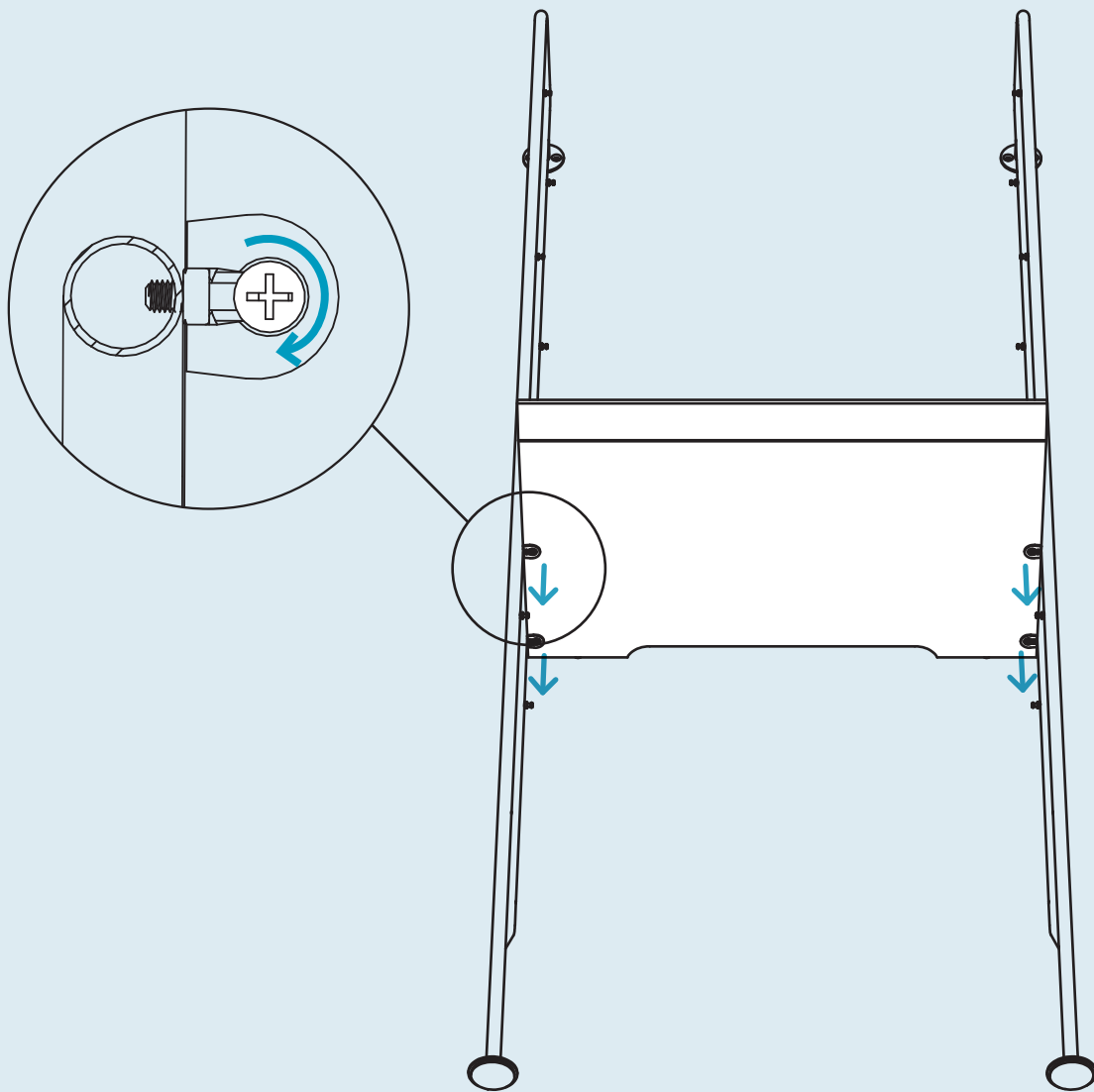


PT. 5021 x 16*

Step 02

ATTCHING THE SHELVES.

Place the side frames on a soft surface as shown. Align the pre-attached shelf hardware with PT. 5021. Slide down shelves and tighten the shelf hardware as shown. Repeat for the remaining shelves.

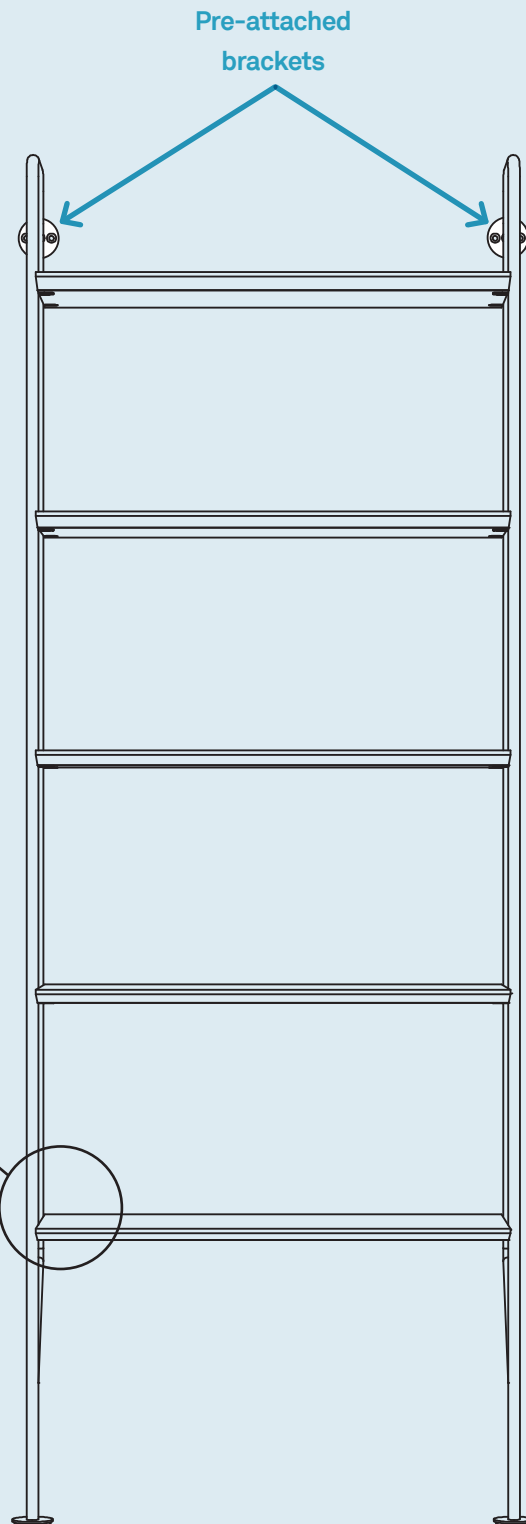
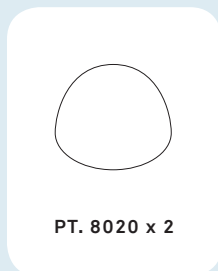
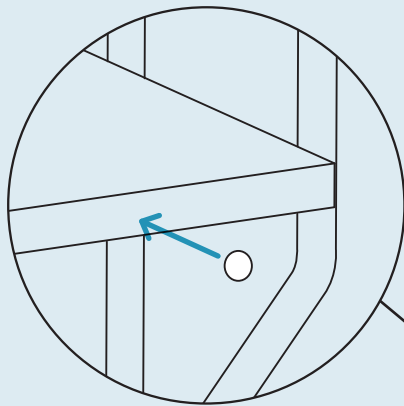


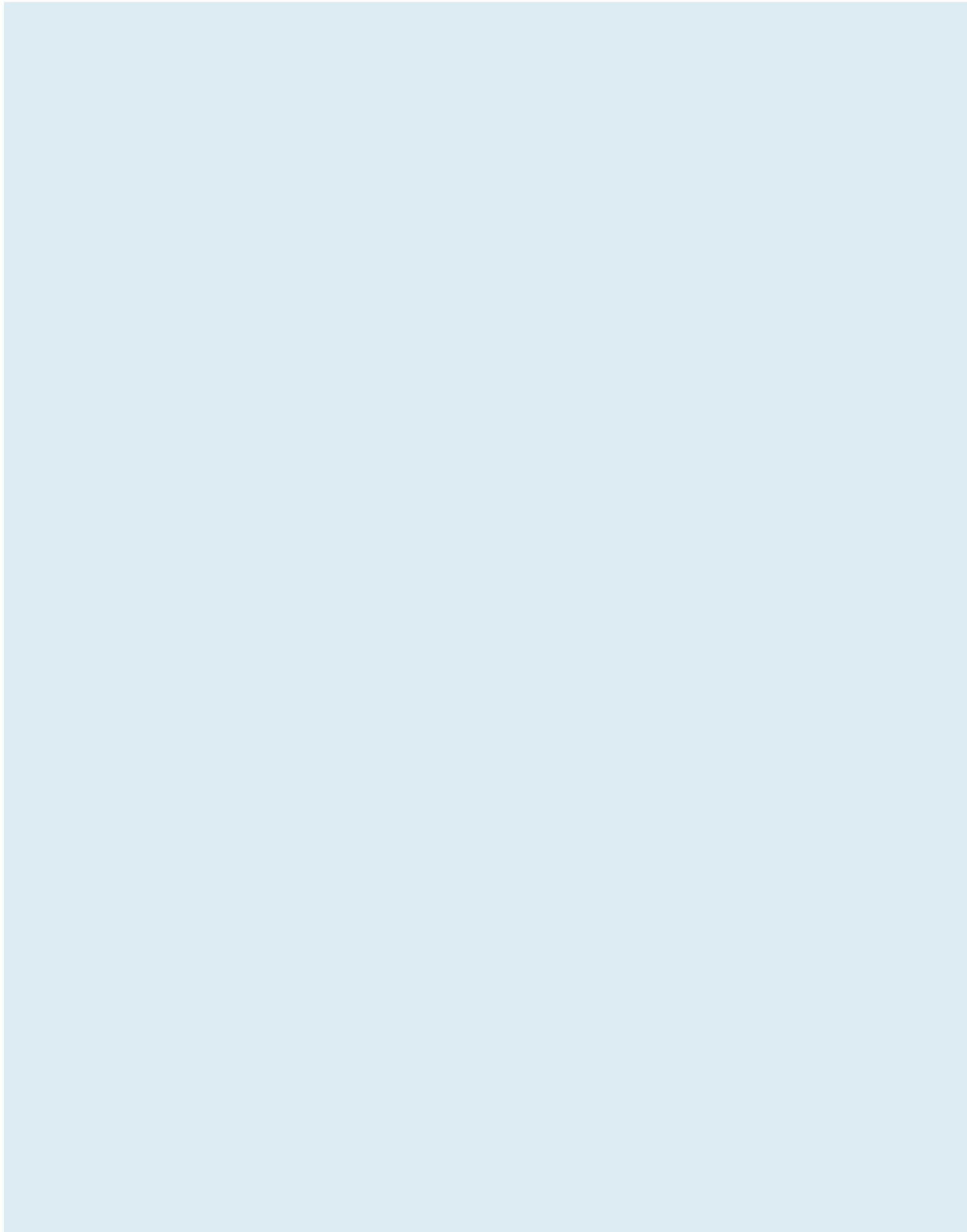
Step 03

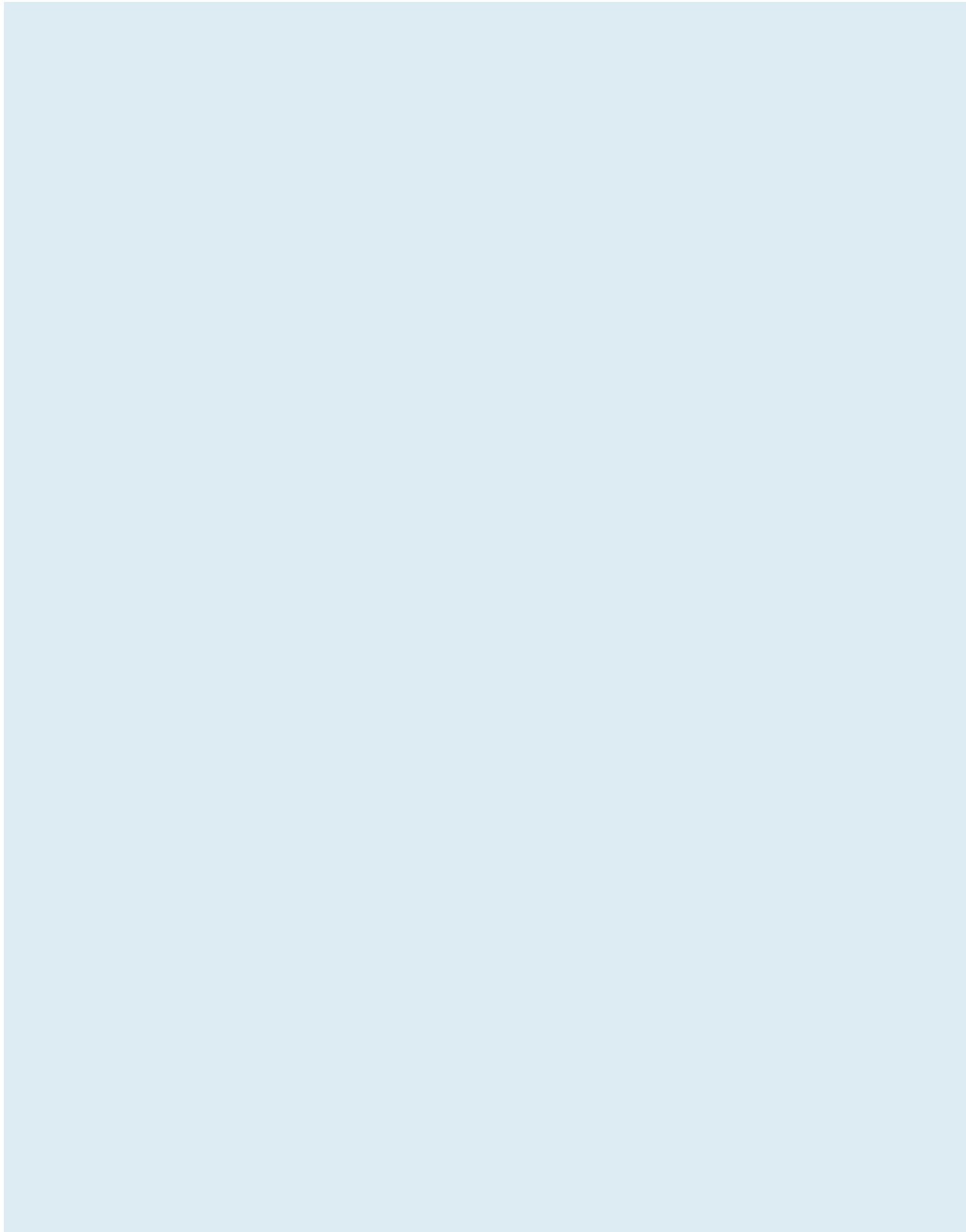
ATTACHING TO A WALL.

Attach Pt 8020 to the bottom shelf as shown. Use a pencil and the pre-attached brackets to mark the attachment hardware locations. Use the hardware best suited to your particular wall to secure the product.

NOTE: Wall attachment hardware is not provided. We recommend consulting your local hardware professional for the attachment hardware best suited to your particular wall.







Additional Information

CLEAN

Clean with a slightly damp, soft cloth. To remove dirt and fingerprints, use a quality cleaner formulate for wood furniture. Wipe completely dry with a soft cloth in the direction of the wood grain.

