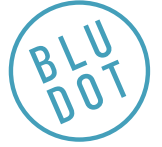
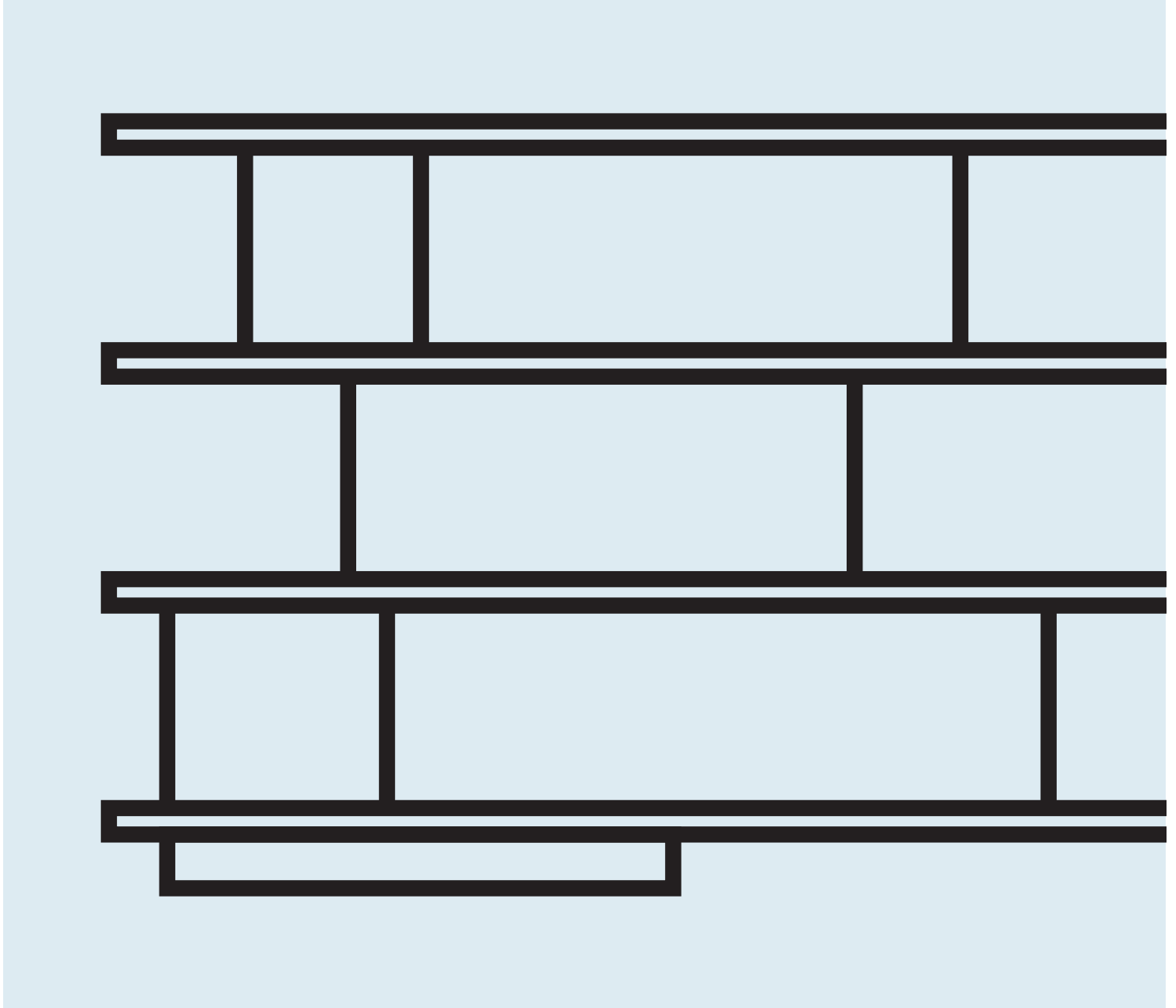


# Happy Day Shelving



DESIGNED IN 2017

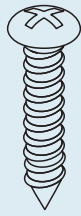
ASSEMBLY NOTES | REV 00



NEED A HAND?

Contact us at [service@bludot.com](mailto:service@bludot.com) or **844.425.8368** for assistance.

# Parts & Hardware



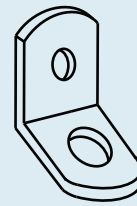
QTY 2

PT. 1222



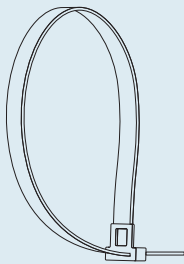
QTY 2

PT. 1223



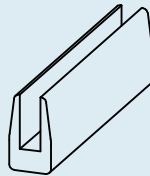
QTY 4

PT. 8049



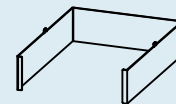
QTY 2

PT. 8042



QTY 8

Foot



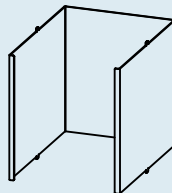
QTY 1

Narrow Foot Block



QTY 1

Wide Foot Block



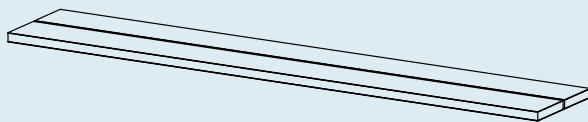
QTY 3\*

Narrow Shelf Block



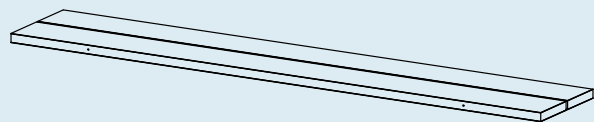
QTY 3\*

Wide Shelf Block



QTY 3\*

Standard Shelf



QTY 1

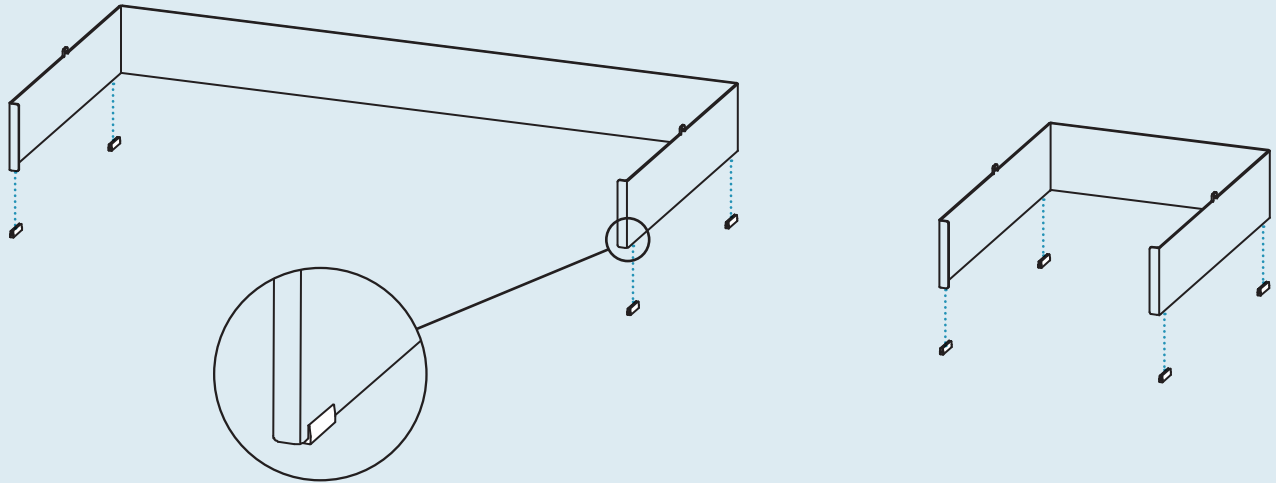
Anti-tip Shelf

\*Part quantities vary based on product.

## Step 01

### ATTACH FEET TO FOOT BLOCKS.

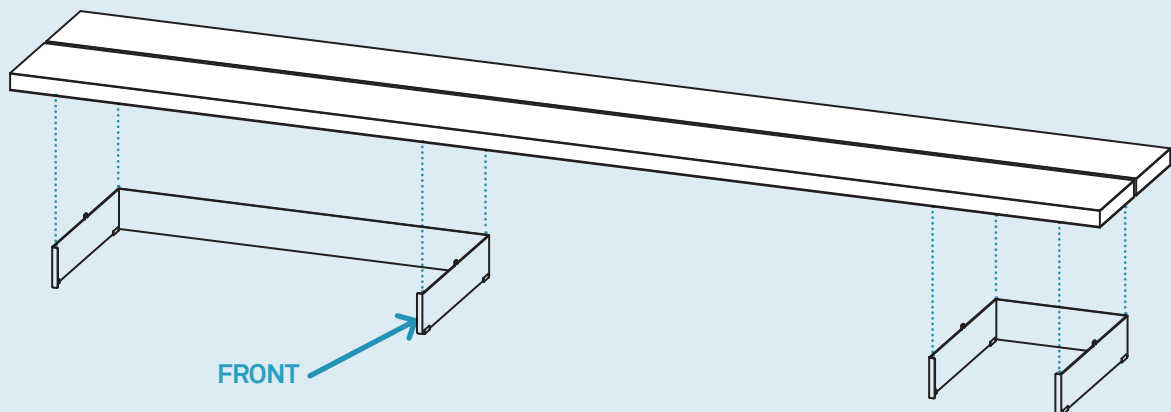
Install feet to corners of foot blocks.



## Step 02

### INSTALL SHELF.

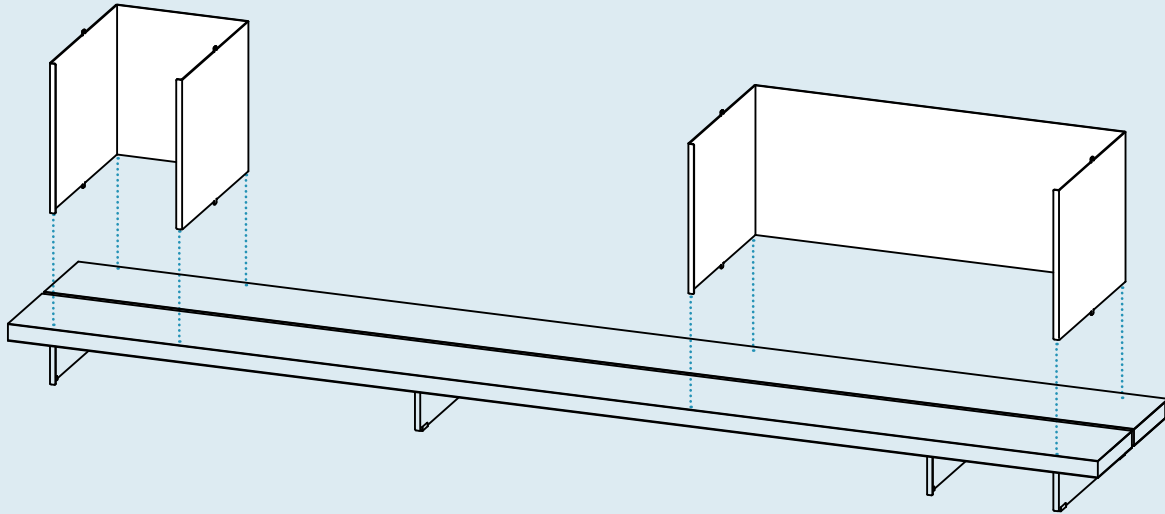
Place standard shelf on foot blocks. Align gap in shelf with tab on foot blocks.



## Step 03

### INSTALL SHELF BLOCKS.

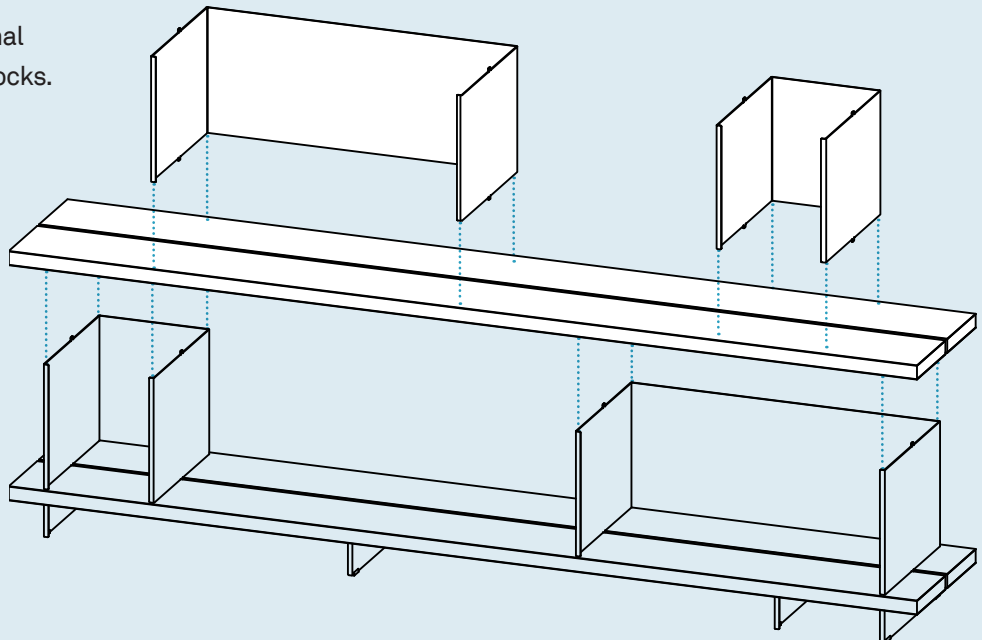
Place shelf blocks on shelf. Avoid sliding blocks across shelves to prevent scratching the surface.



## Step 04

### INSTALL ADDITIONAL SHELF.

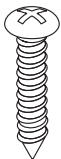
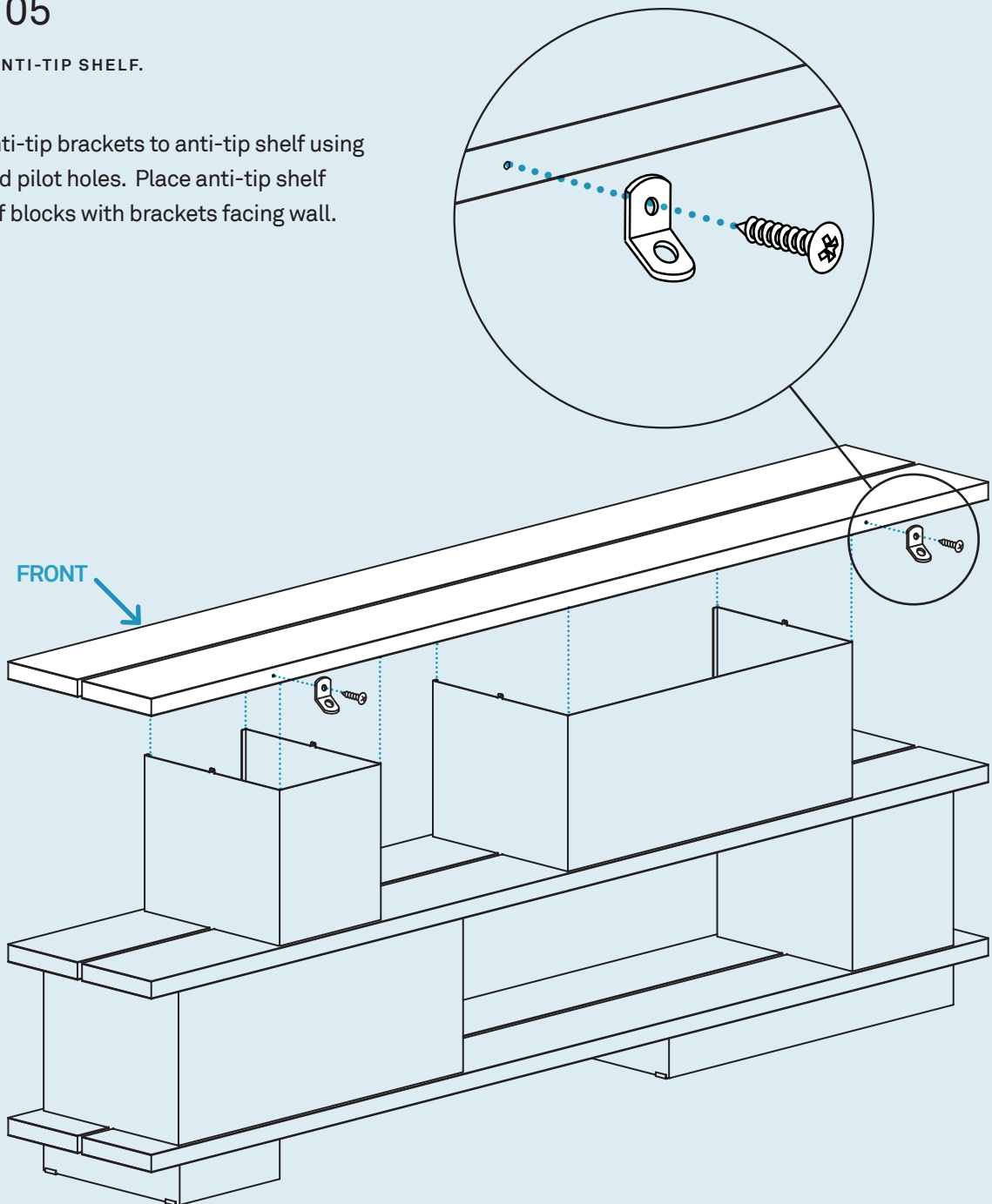
Continue installing additional standard shelf and shelf blocks.



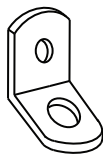
## Step 05

### INSTALL ANTI-TIP SHELF.

Attach anti-tip brackets to anti-tip shelf using pre-drilled pilot holes. Place anti-tip shelf onto shelf blocks with brackets facing wall.



PT. 1222 x 2

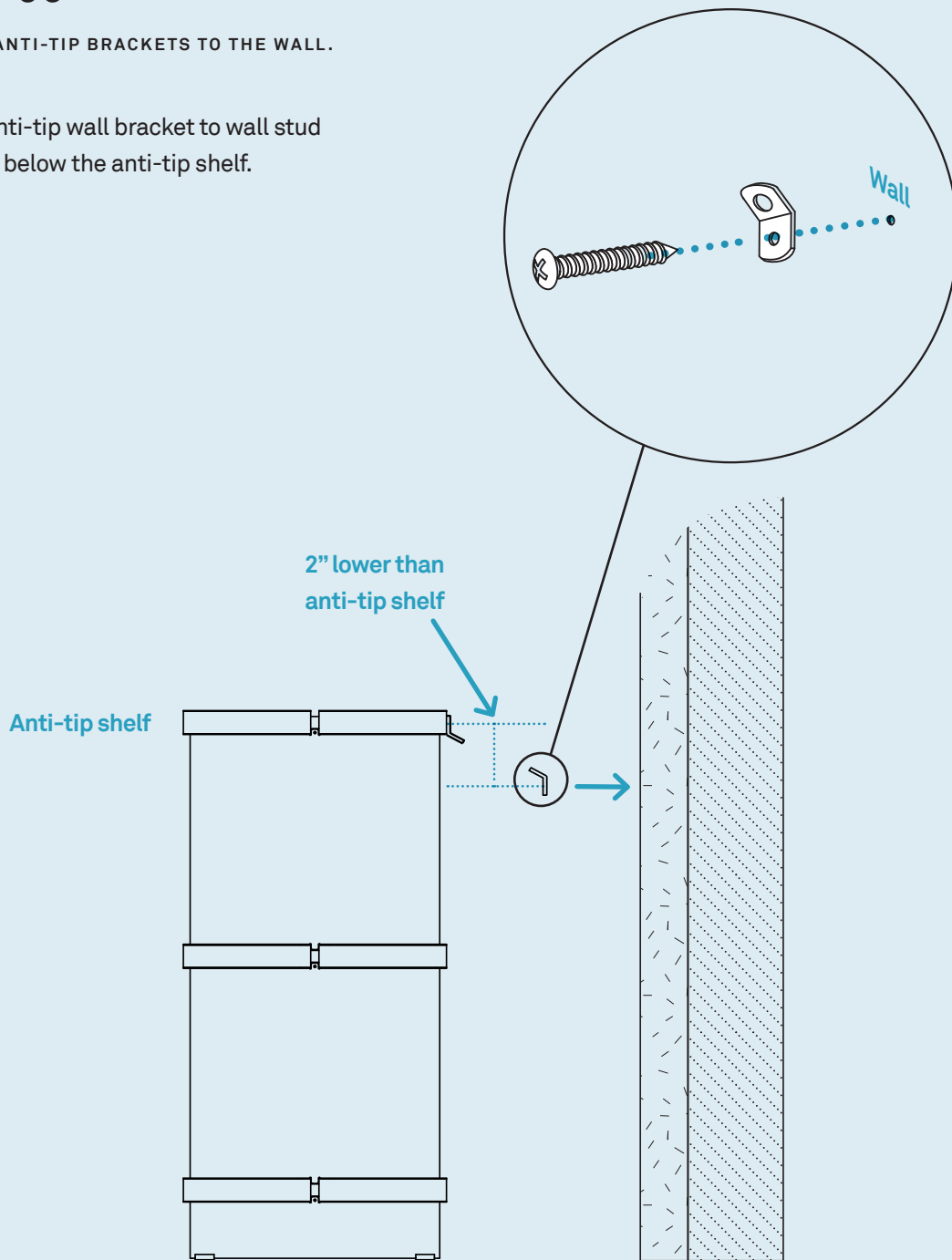


PT. 8049 x 2

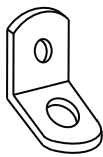
# Step 06

ATTACH ANTI-TIP BRACKETS TO THE WALL.

Install anti-tip wall bracket to wall stud  
2 inches below the anti-tip shelf.



PT. 1223 x 2

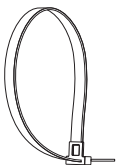
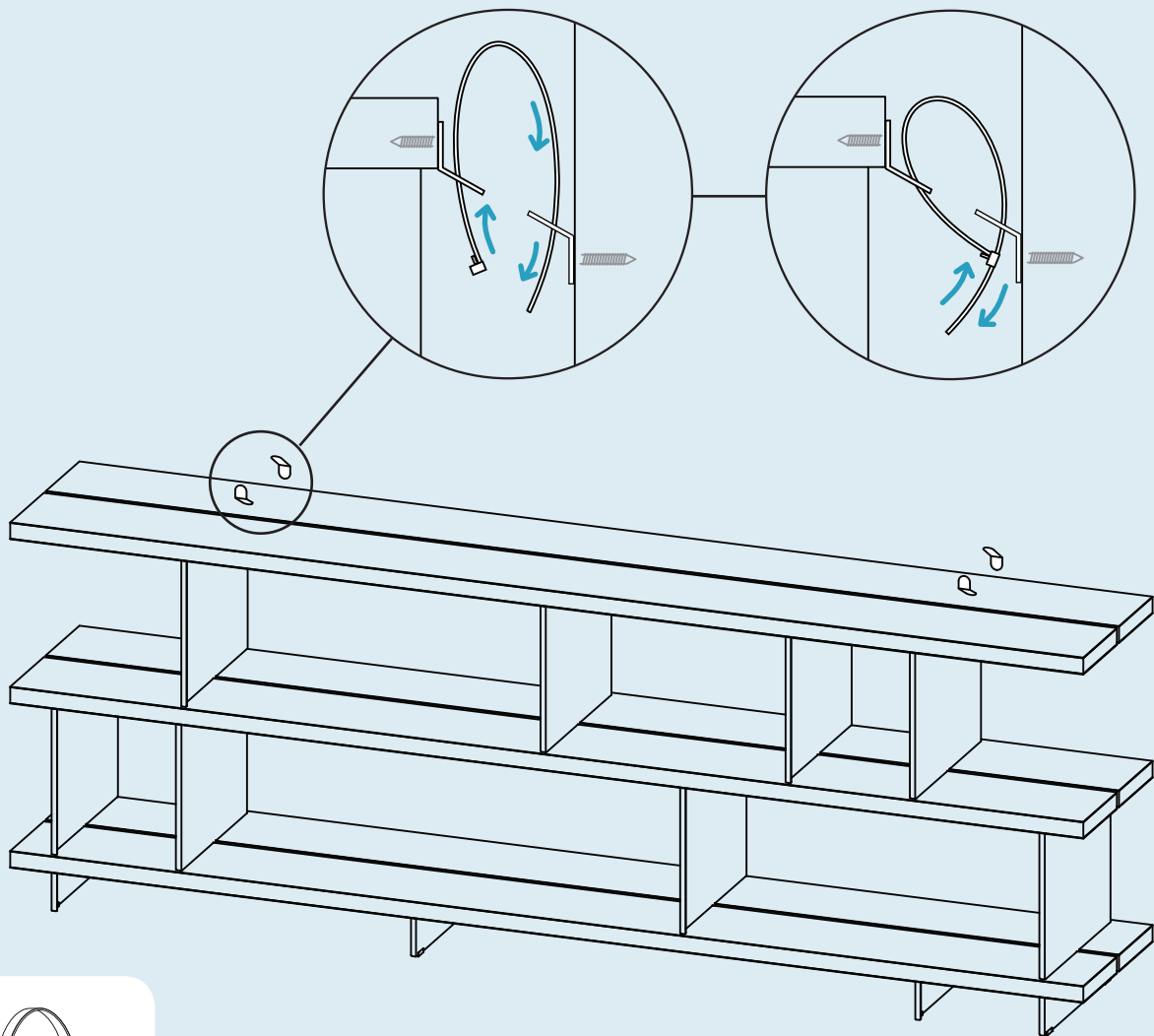


PT. 8049 x 2

# Step 07

## SECURE ANTI-TIP SHELF.

Install and tighten the straps prior to using the product.  
Adjust shelf block locations as necessary to conceal the anti-tip straps.

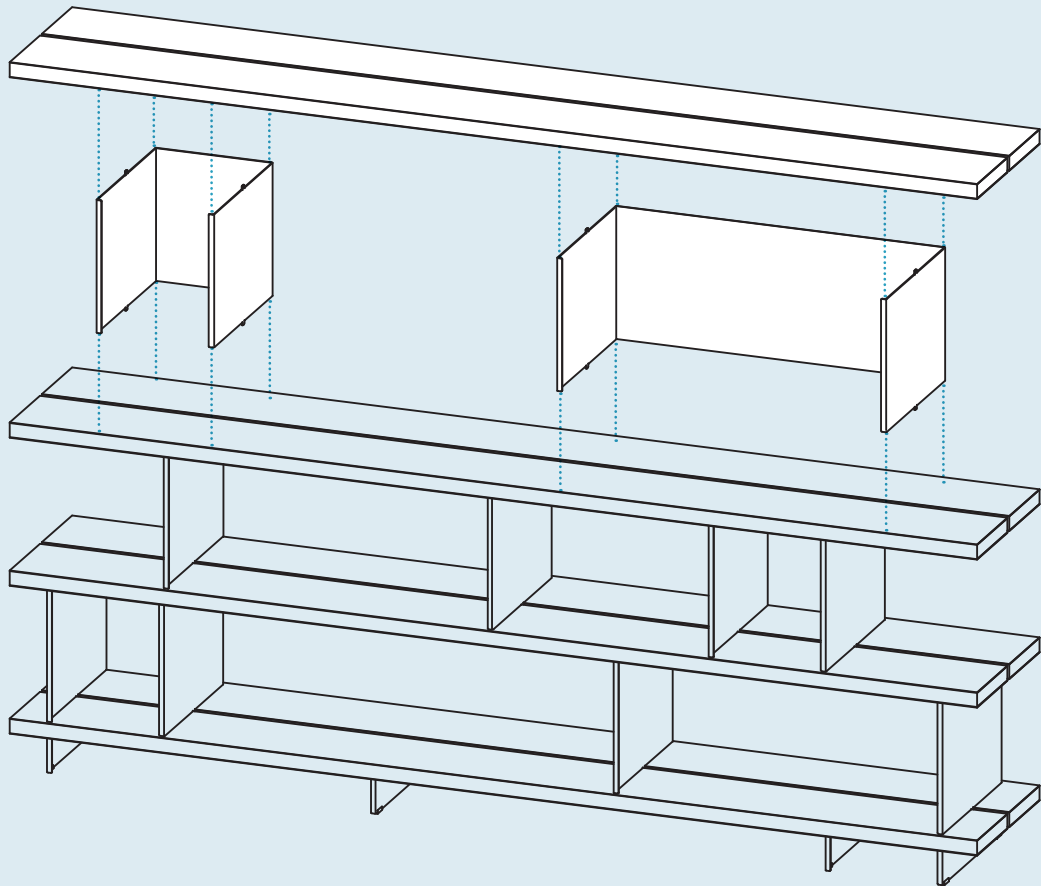


PT. 8042 x 2

## Step 08

### INSTALL REMAINING SHELF.

Install remaining shelf blocks and shelf to a maximum height of 4. Quantities may vary depending on product configuration purchased.



## Additional Information

### CLEAN

Clean with a slightly damp, soft cloth. To remove dirt and fingerprints, use a quality cleaner formulate for wood furniture. Wipe completely dry with a soft cloth in the direction of the wood grain.

