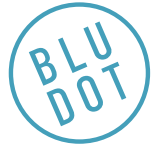
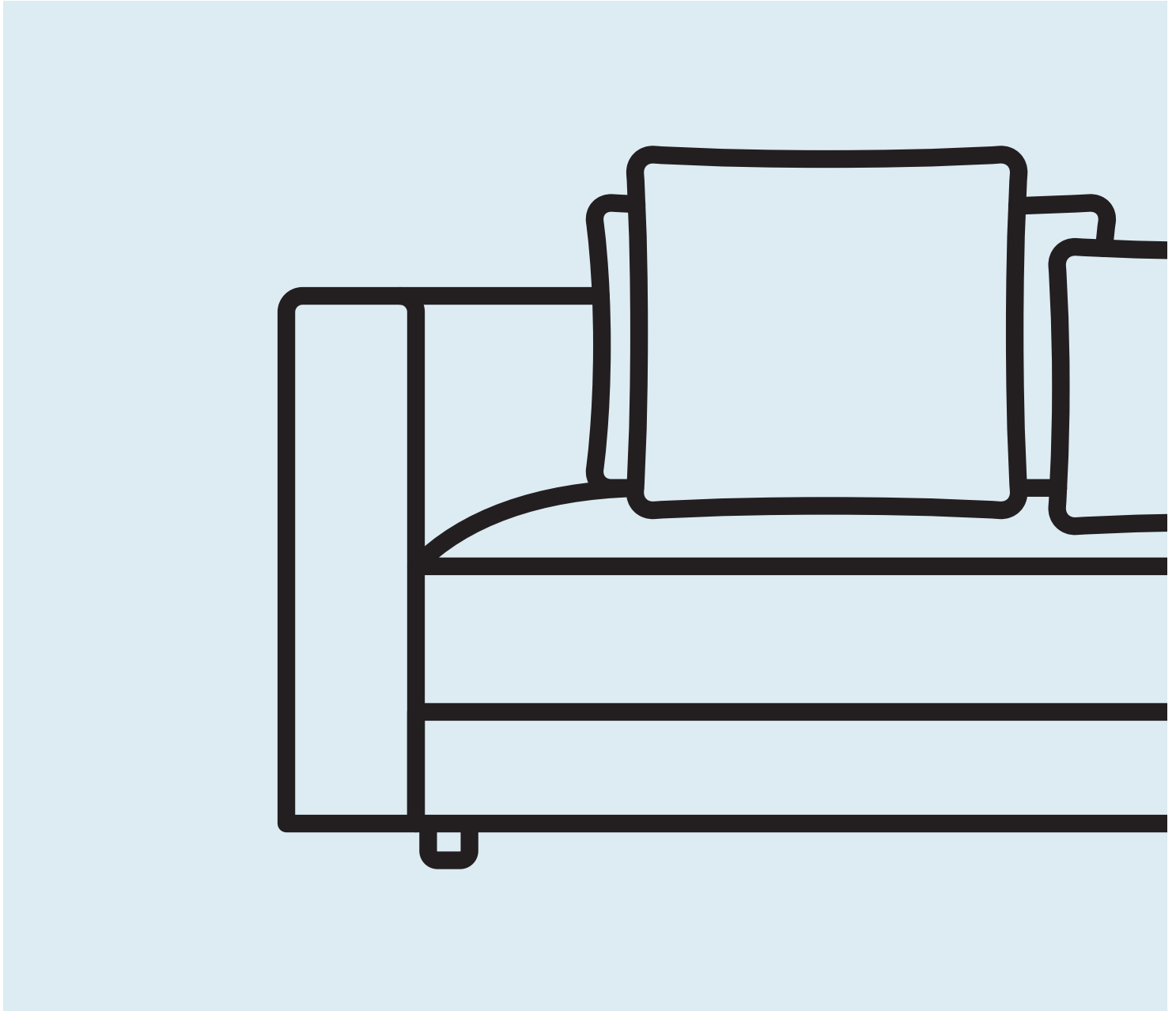


Hands Down Sectional Sofa



DESIGNED IN 2020

ASSEMBLY NOTES | REV 00



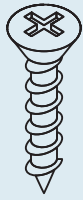
PUT YOUR BACK INTO IT.

Some say you should stand to work. Hands Down says you should sit to live. Sharp as a three-piece suit. As comfortable as elastic waistband pants.

NEED A HAND?

Contact us at service@bludot.com or **844.425.8368** for assistance.

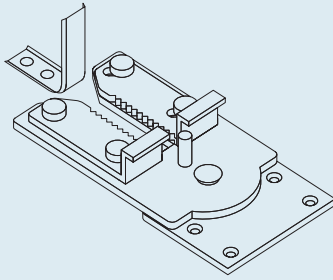
Parts & Hardware



QTY

6

Pt. 1216



QTY

1

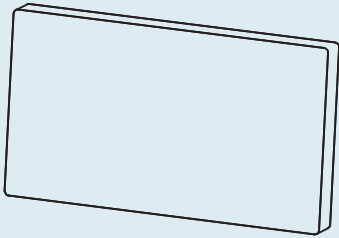
Pt. 8034



QTY

4

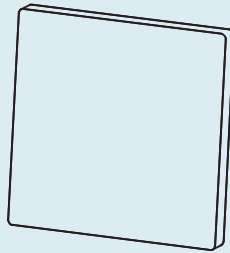
Foot



QTY

2*

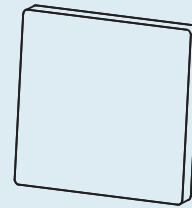
Back Cushion



QTY

2*

Large Pillow



QTY

1*

Small Pillow

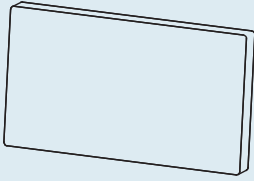
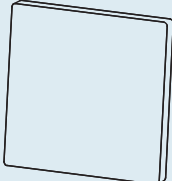
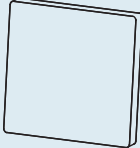
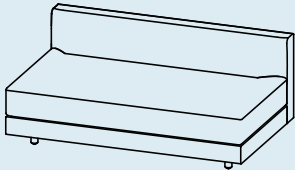
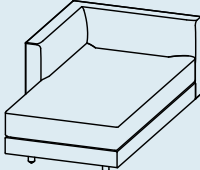
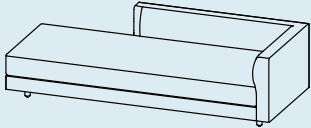
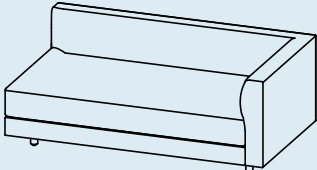


QTY

1

Sectional

*Cushion quantity varies based on product. Refer to page 2 for part breakdown.

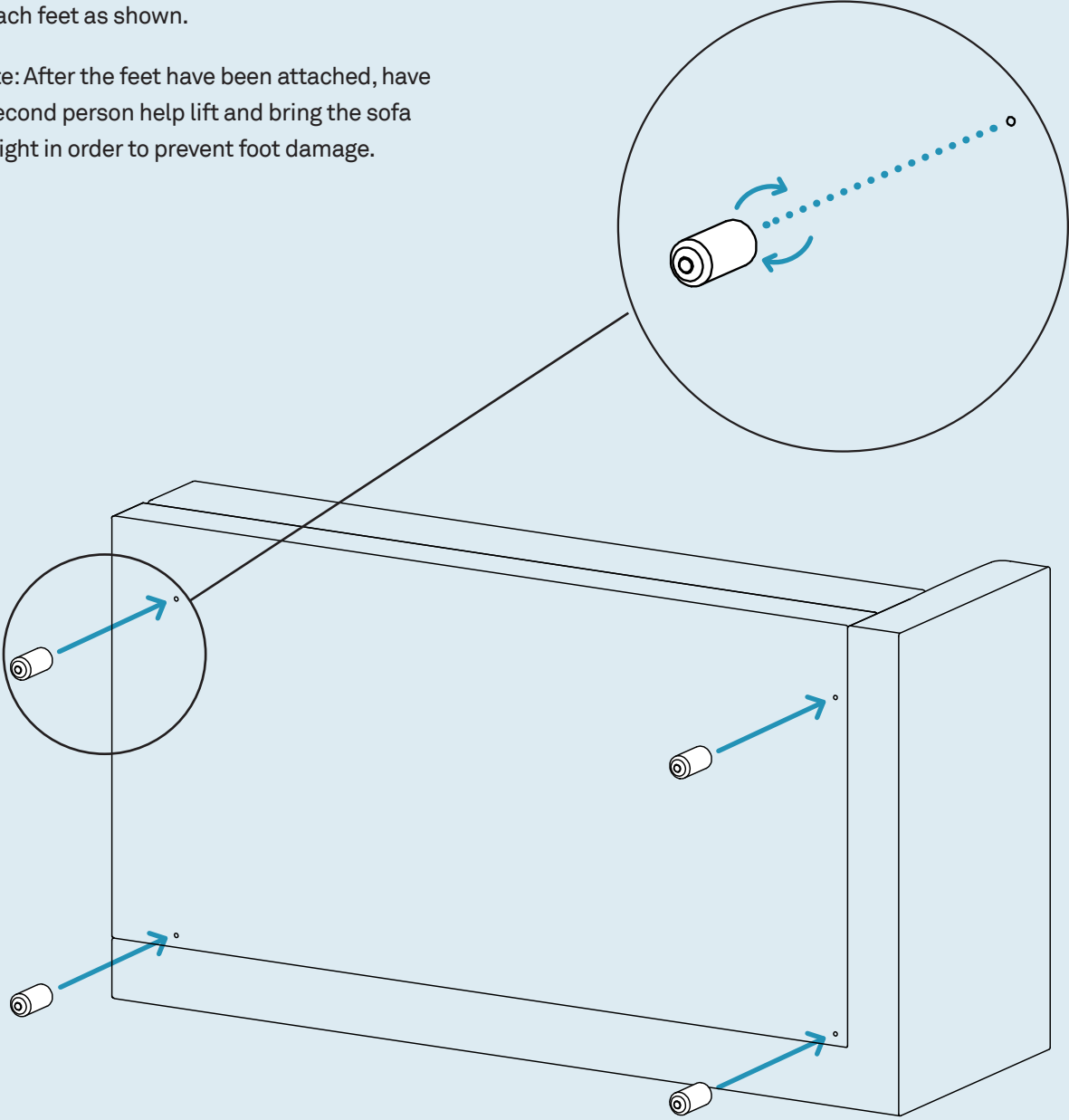
	 Back Cushion	 Large Pillow	 Small Pillow
 Armless Sofa	2	2	1
 Chaise	1	1	1
 Half Back Sofa	2	2	2
 One Arm Sofa	2	2	1

Step 01

ATTACH FEET.

Attach feet as shown.

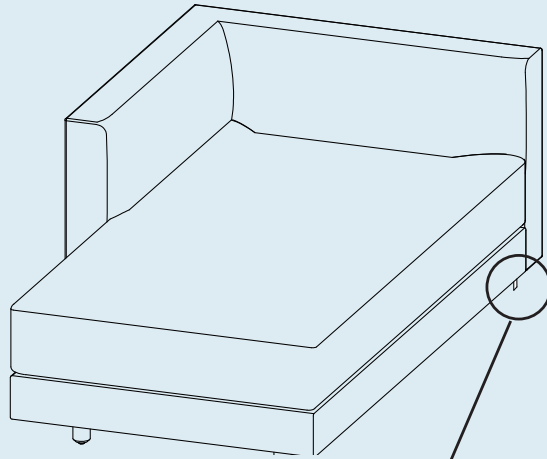
Note: After the feet have been attached, have a second person help lift and bring the sofa upright in order to prevent foot damage.



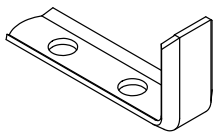
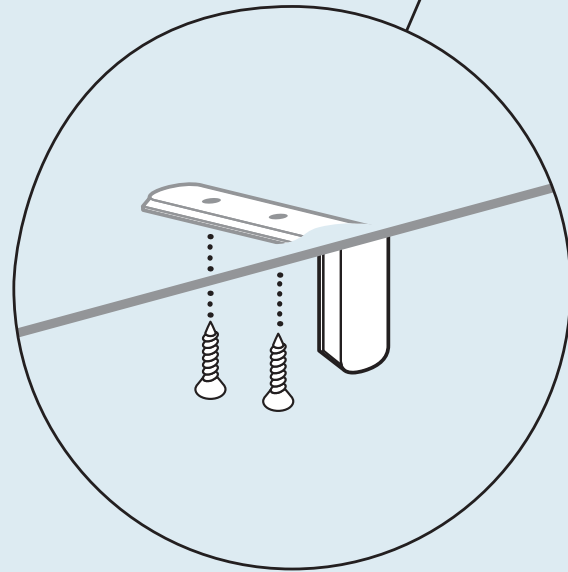
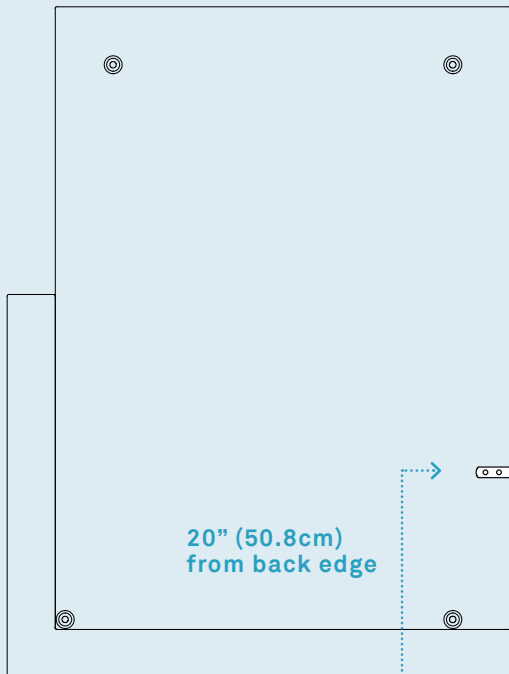
Step 02

ATTACH MALE SECTIONAL CONNECTOR.

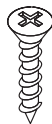
This hardware allows proper alignment of the sectional sofas and holds them in place during use.



Underside of Chaise



Pt. 8034 x 1

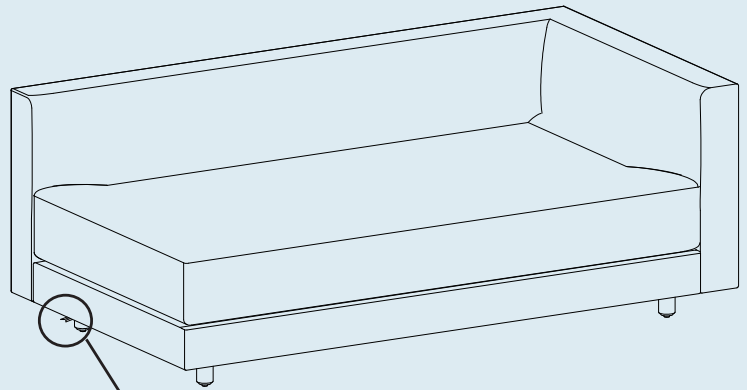


PT. 1216 x 2

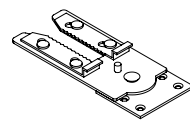
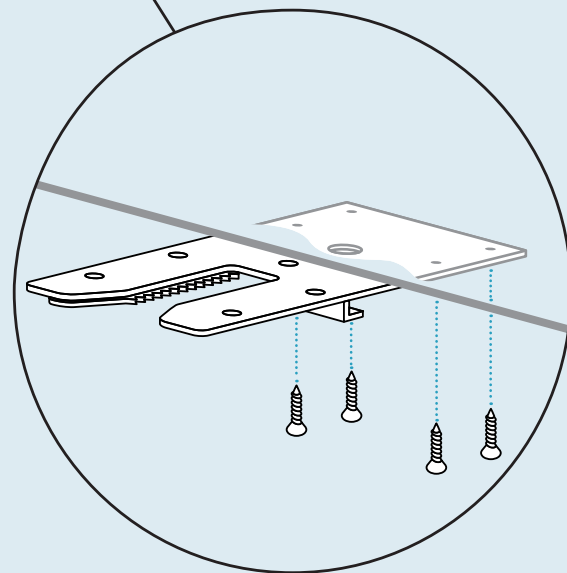
Step 03

ATTACH FEMALE SECTIONAL CONNECTOR.

This hardware allows proper alignment of the sectional sofas and holds them in place during use.



Underside of One Arm Sofa



Pt. 8034 x 1

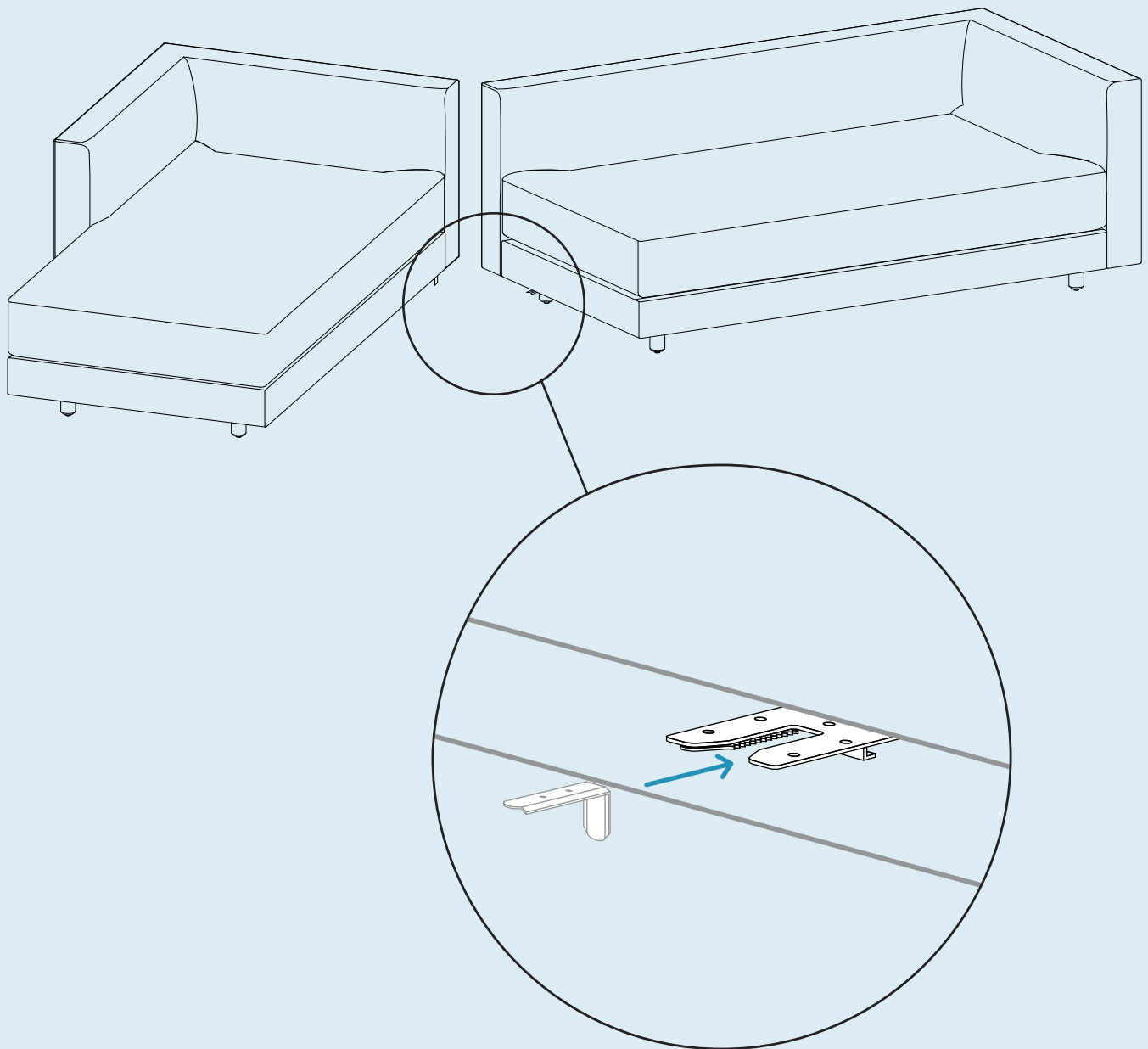


PT. 1216 x 4

Step 04

CONNECT SECTIONAL SOFAS.

With back sides aligned, carefully slide sectional sofas together. Make sure sectional connector latches for a secure placement.



Additional Information

CLEAN

Vacuum your upholstery regularly.

SPILLS

Act quickly with spills. Absorb the spill with a clean white cloth or paper towel. Never rub the surface. Do not use water or other liquids to clean, as they may stain the fabric. Consult a commercial cleaning specialist for removal of stubborn stains.

AVOID

Keep upholstery & felt furniture out of direct sunlight and away from heat sources; excessive exposure to sunlight may fade the color of the upholstery. Avoid placing heavy or sharp objects on the furniture surface for long periods of time; this can cause permanent indentations in the fabric. For snags in the fabric, tuck loose threads into fabric or carefully push to reverse side. Never pull out or cut off loose threads.

