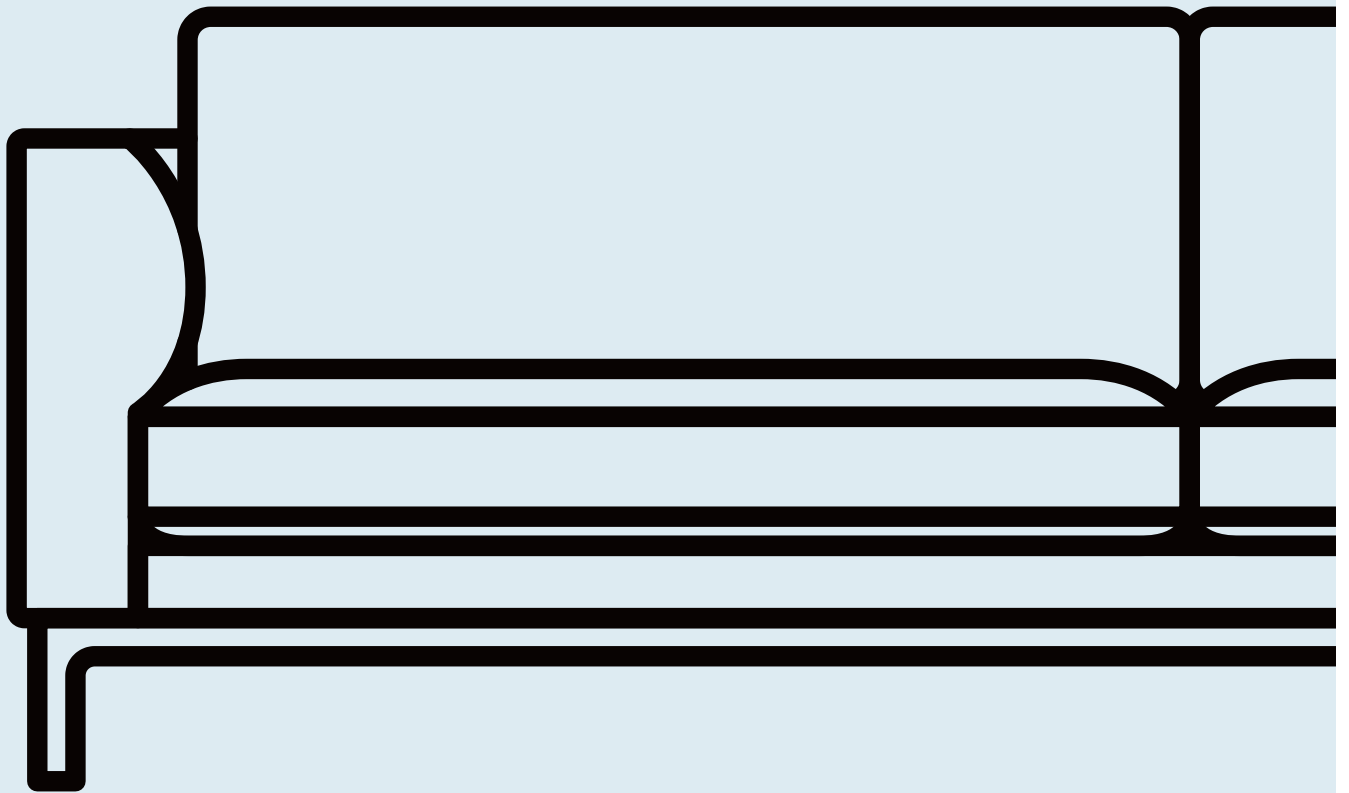
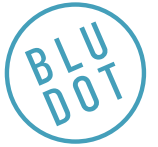


Guide Collection

DESIGNED IN 2020

ASSEMBLY NOTES | REV 01



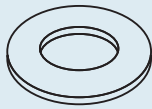
NEED A HAND?

Contact us at service@bludot.com or
844.425.8368 for assistance.

@BLUDOT

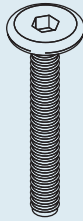
We design all our pieces in our Minneapolis studio. Follow
along on Instagram for some sneak peeks into the process.

Parts & Hardware



QTY 4

Pt. 3002



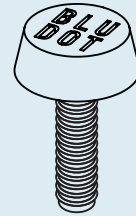
QTY 4

Pt. 1610



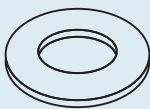
QTY 8

Pt. 5013



QTY 4

Pt. 4022



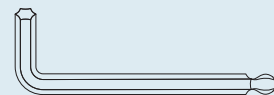
QTY 8*

Pt. 3015



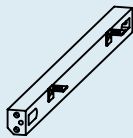
QTY 8*

Pt. 1039



QTY 1

Pt. 9016



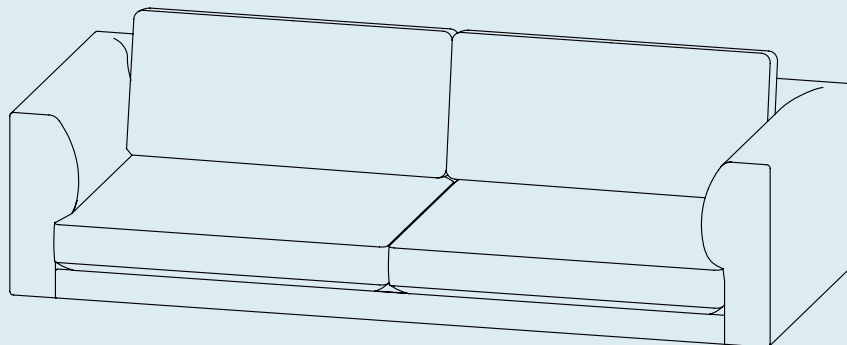
QTY 2

Short Rail



QTY 2

Long Rail



QTY 1

Sofa Frame

*Lounge Chair ships with 6 pieces of hardware.

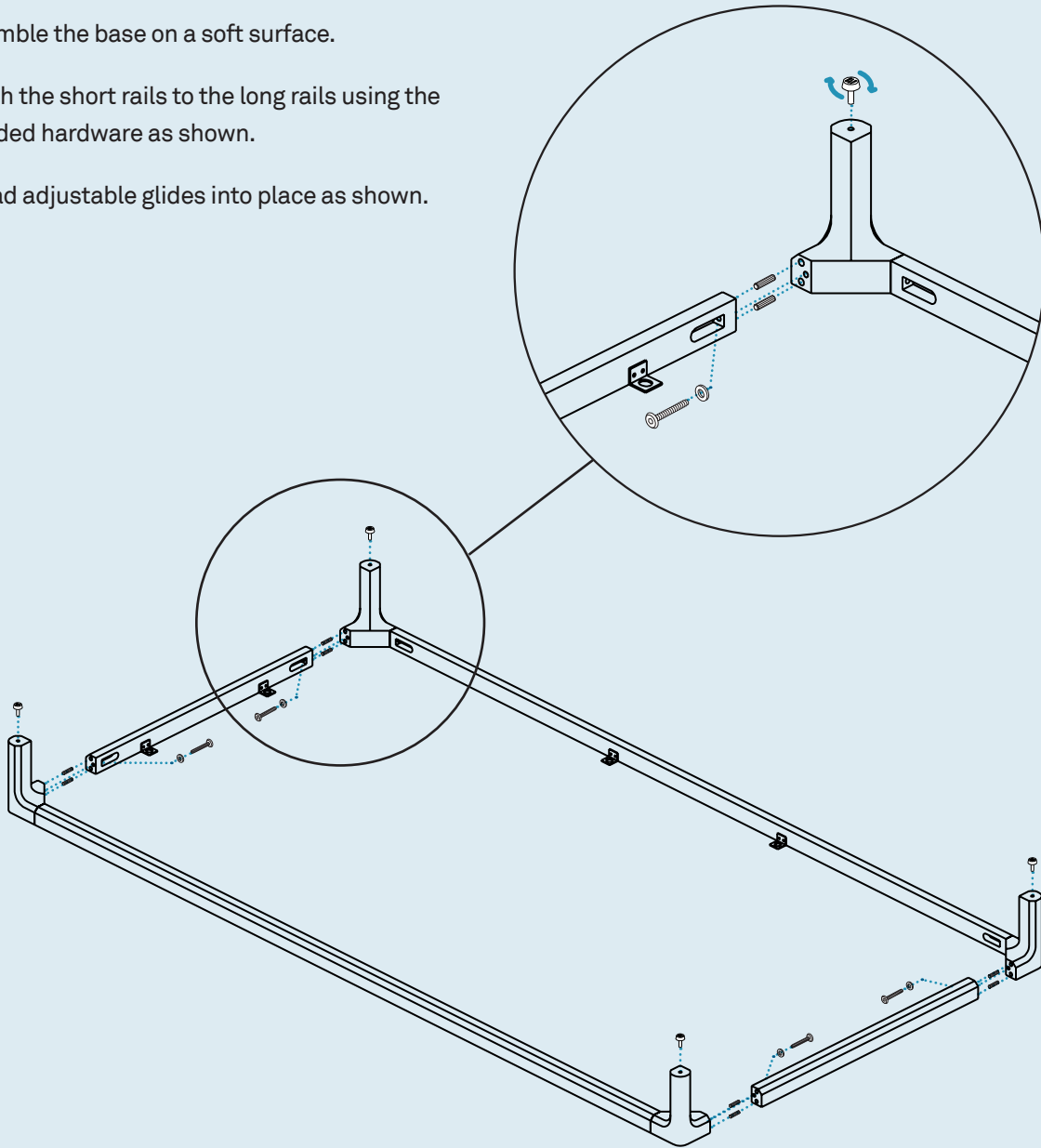
Step 01

ASSEMBLE BASE.

Assemble the base on a soft surface.

Attach the short rails to the long rails using the provided hardware as shown.

Thread adjustable glides into place as shown.



PT. 5013 x 8



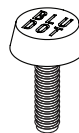
PT. 1610 x 4



PT. 3002 x 4



PT. 9016 x 1



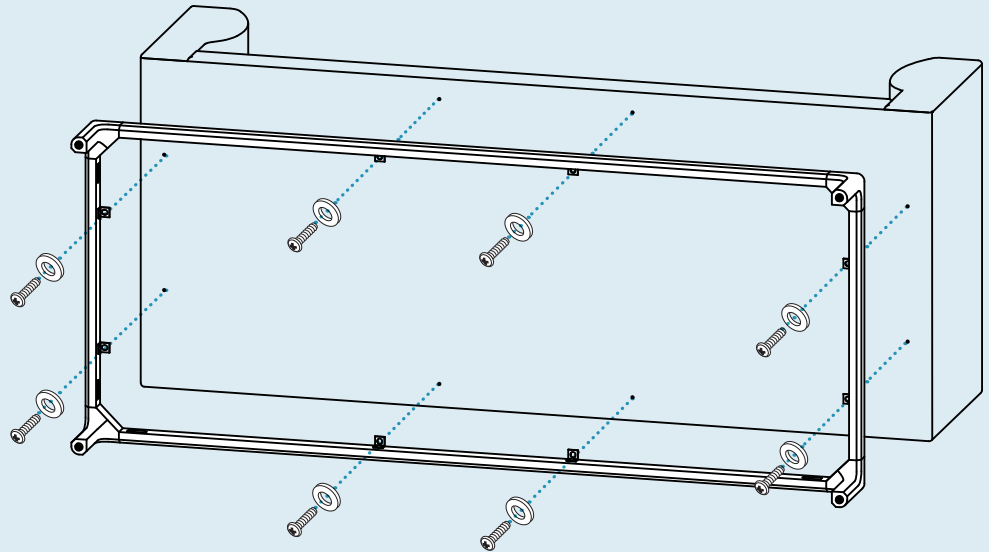
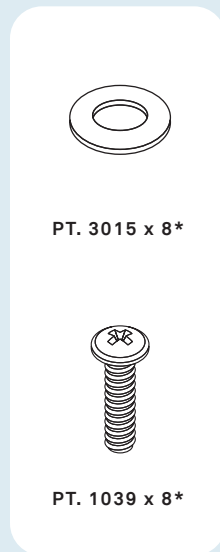
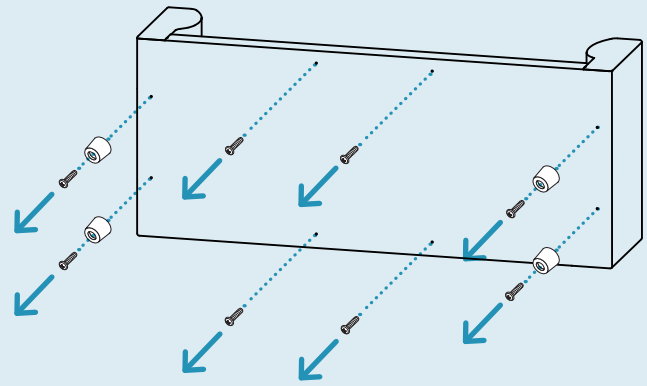
PT. 4022 x 4

Step 02

ATTACH BASE TO FRAME.

Detach bolts and discard temporary plastic feet from the sofa frame. Attach the wooden base to the sofa frame using the same hardware as shown.

Lift sofa upright with assistance to complete assembly.



Additional Information

CLEAN

Vacuum your upholstery regularly.

SPILLS

Act quickly with spills. Absorb the spill with a clean white cloth or paper towel. Never rub the surface. Do not use water or other liquids to clean, as they may cause stains. Consult a commercial cleaning specialist for removal of stubborn stains.

AVOID

Keep furniture out of direct sunlight and away from heat sources; excessive exposure to sunlight may cause color fading. Avoid placing heavy or sharp objects on the furniture surface for long periods of time; this can cause permanent surface indentations. For snags in the fabric, tuck loose threads into fabric or carefully push to reverse side. Never pull out or cut off loose threads.

