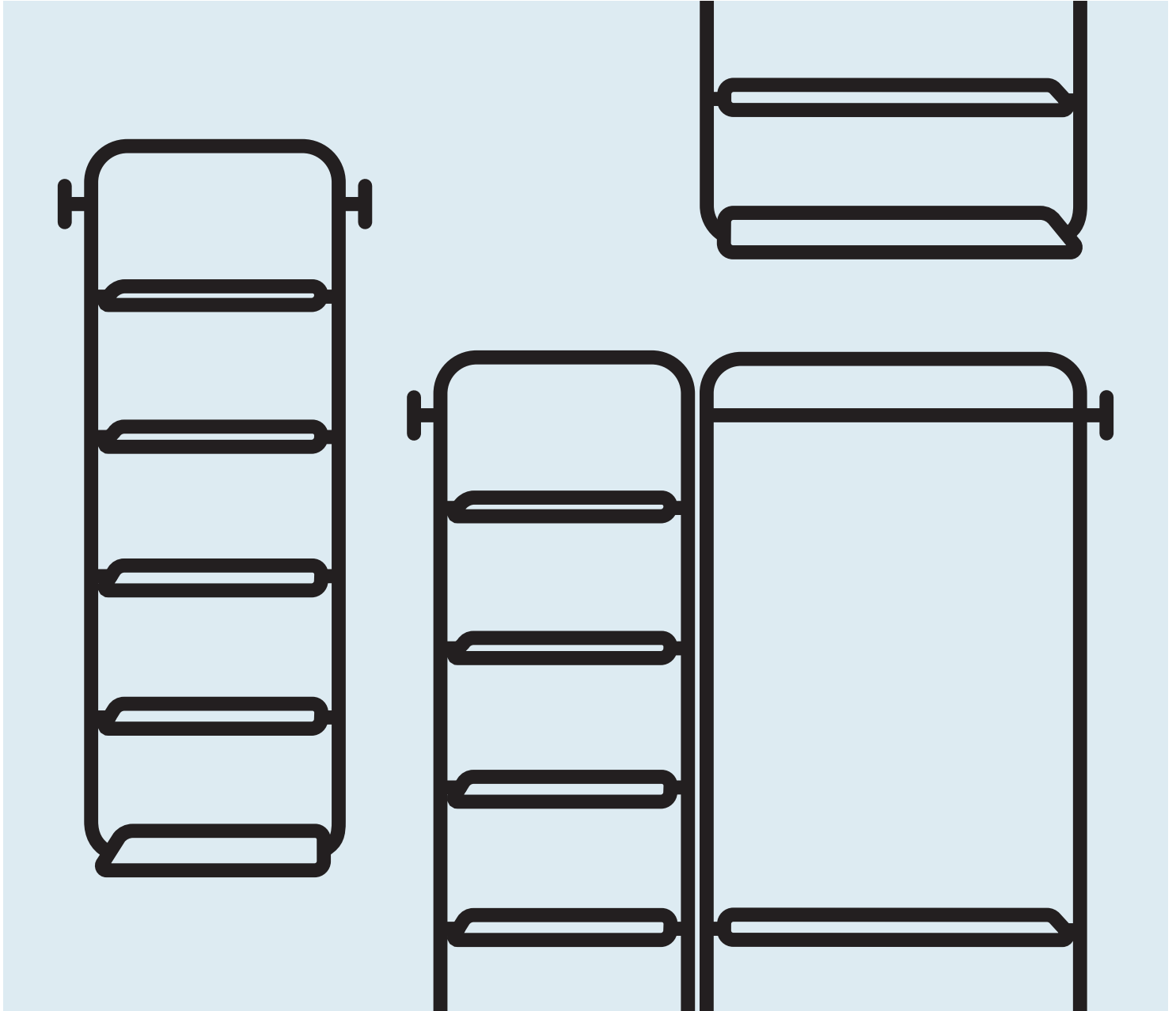
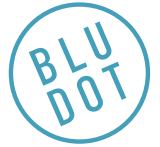


Garden Party

DESIGNED IN 2021

ASSEMBLY NOTES | REV 03



NEED A HAND?

Contact us at service@bludot.com or **844.425.8368** for assistance.

@BLUDOT

We design all our pieces in our Minneapolis studio. Follow along on Instagram for some sneak peeks into the process.

Contents

PAGE

3 **Garden Party Garment Rack**

4 **Parts & Hardware**

5 **Step 01** ATTACH THE BASE TO THE GARMENT RACK UPRIGHTS.

6 **Step 02** ATTACH THE WOOD HOOKS.

7 **Step 03** ATTACH THE TOP AND HANGING TUBE.

8 **Step 04** ATTACH THE SHELF.

9 **Step 05** LEVEL THE GARMENT RACK.

10 **Garden Party Shelving**

11 **Parts & Hardware**

12 **Step 01** ATTACH NARROW BASE TO SHELF UPRIGHTS.

13 **Step 02** ATTACH THE UPPER BAR AND SHELF.

14 **Step 03** ATTACH THE REMAINING SHELVES.

15 **Step 04** ATTACH THE WOOD HOOKS.

16 **Step 05** LEVEL THE BASE.

17 **Garden Party Wardrobe System**

18 **Parts & Hardware**

19 **Step 01** ATTACH NARROW BASE TO SHELF UPRIGHTS.

20 **Step 02** ATTACH THE UPPER BAR AND SHELF.

21 **Step 03** ATTACH THE REMAINING SHELVES.

22 **Step 04** ATTACH THE WIDE BASE TO THE GARMENT RACK UPRIGHTS.

23 **Step 05** GANG UNITS TOGETHER.

24 **Step 06** ATTACH THE WOOD HOOKS.

25 **Step 07** ATTACH THE TOP AND HANGING TUBE.

26 **Step 08** ATTACH THE WIDE SHELF.

27 **Step 09** LEVEL THE WARDROBE SYSTEM.

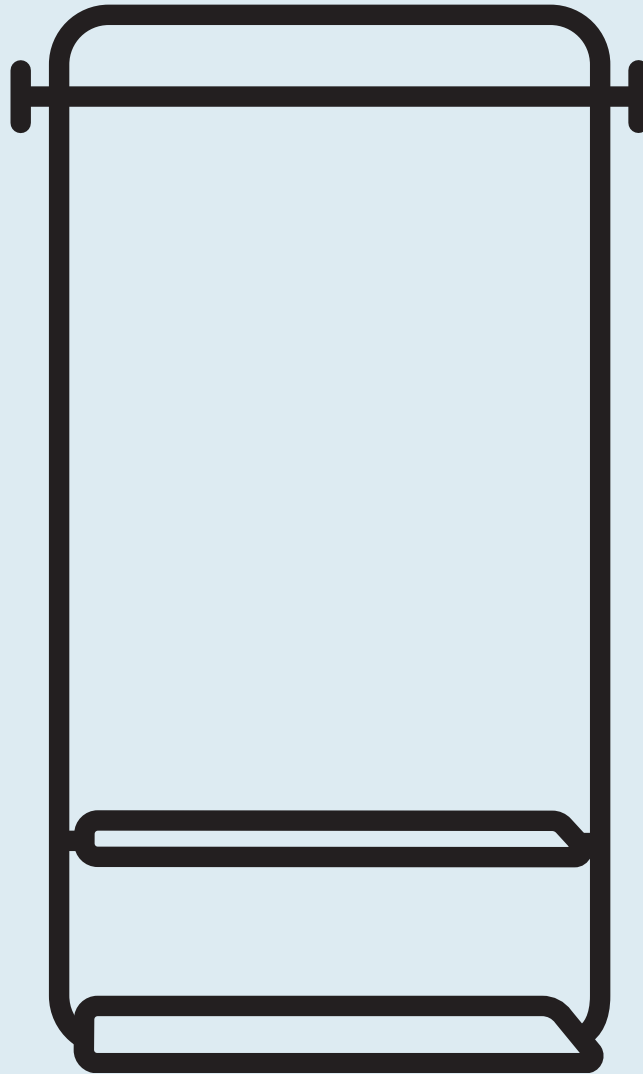


Garden Party Garment Rack



DESIGNED IN 2021

ASSEMBLY NOTES | REV 03



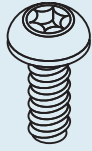
NEED A HAND?

Contact us at service@bludot.com or **844.425.8368** for assistance.

@BLUDOT

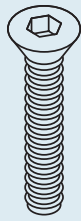
We design all our pieces in our Minneapolis studio. Follow along on Instagram for some sneak peeks into the process.

Parts & Hardware



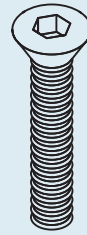
QTY 6

Pt. 1042b



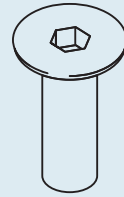
QTY 2

Pt. 1051



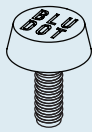
QTY 4*

Pt. 1021



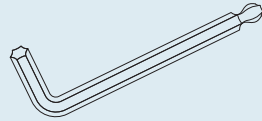
QTY 2*

Pt. 2025



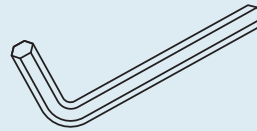
QTY 4

Pt. 4024



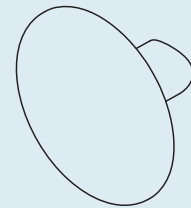
QTY 1

Pt. 9030



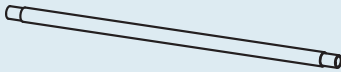
QTY 1

Pt. 9026



QTY 2

Wood Hook



QTY 1

Top Tube



QTY 1

Hang Tube



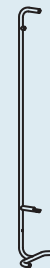
QTY 1

Base



QTY 1

Shelf



QTY 2


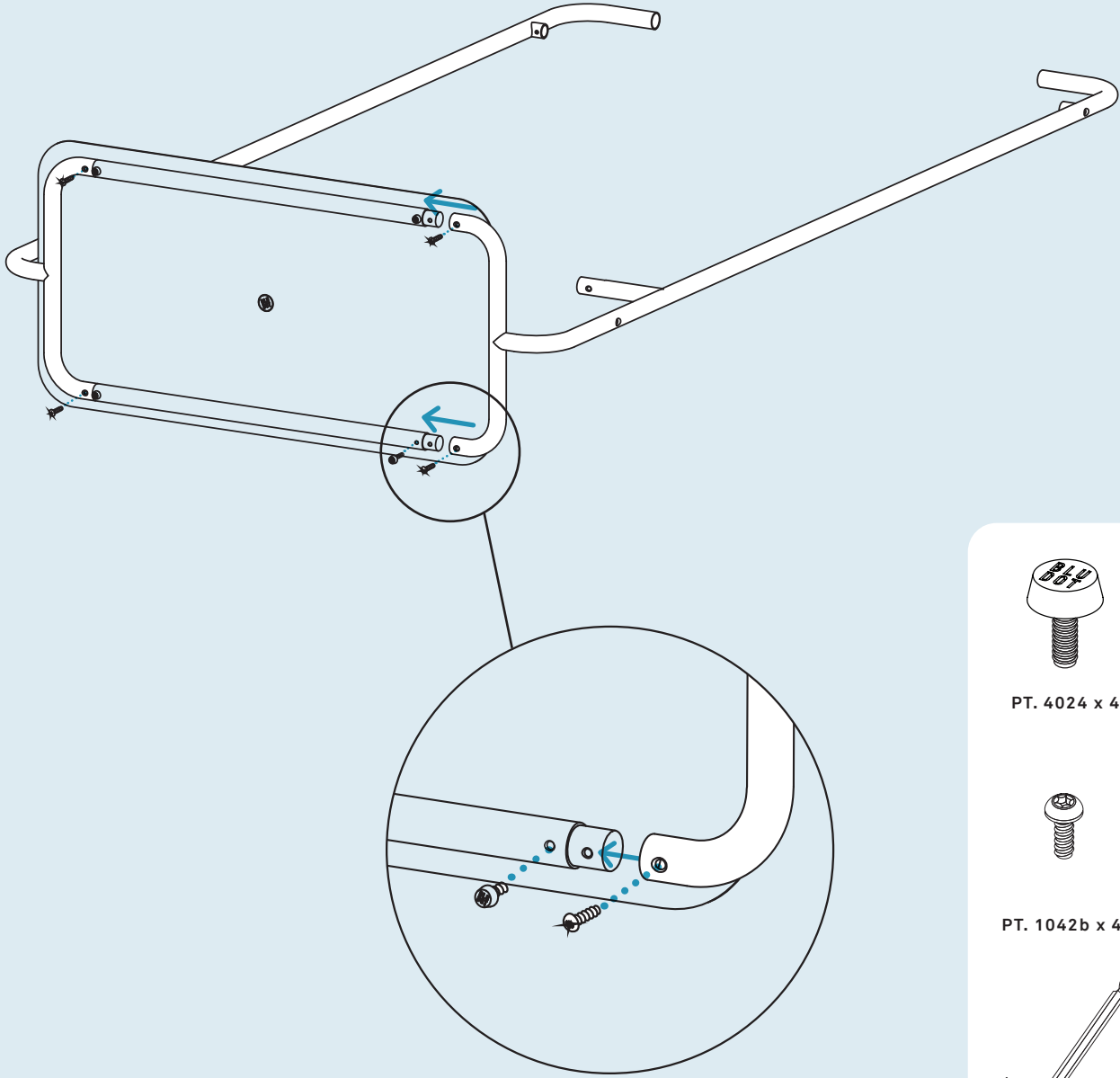
Garment Upright

* Only two of Pt. 1021 and no Pt. 2025 will be used for this configuration.


Step 01

ATTACH THE BASE TO THE GARMENT RACK UPRIGHTS.

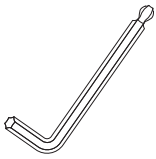
Be sure to rest unit on a soft surface such as a rug or carpet.
Using the provided hardware, attach the garment rack uprights and adjustable glides to the base as shown.



PT. 4024 x 4



PT. 1042b x 4

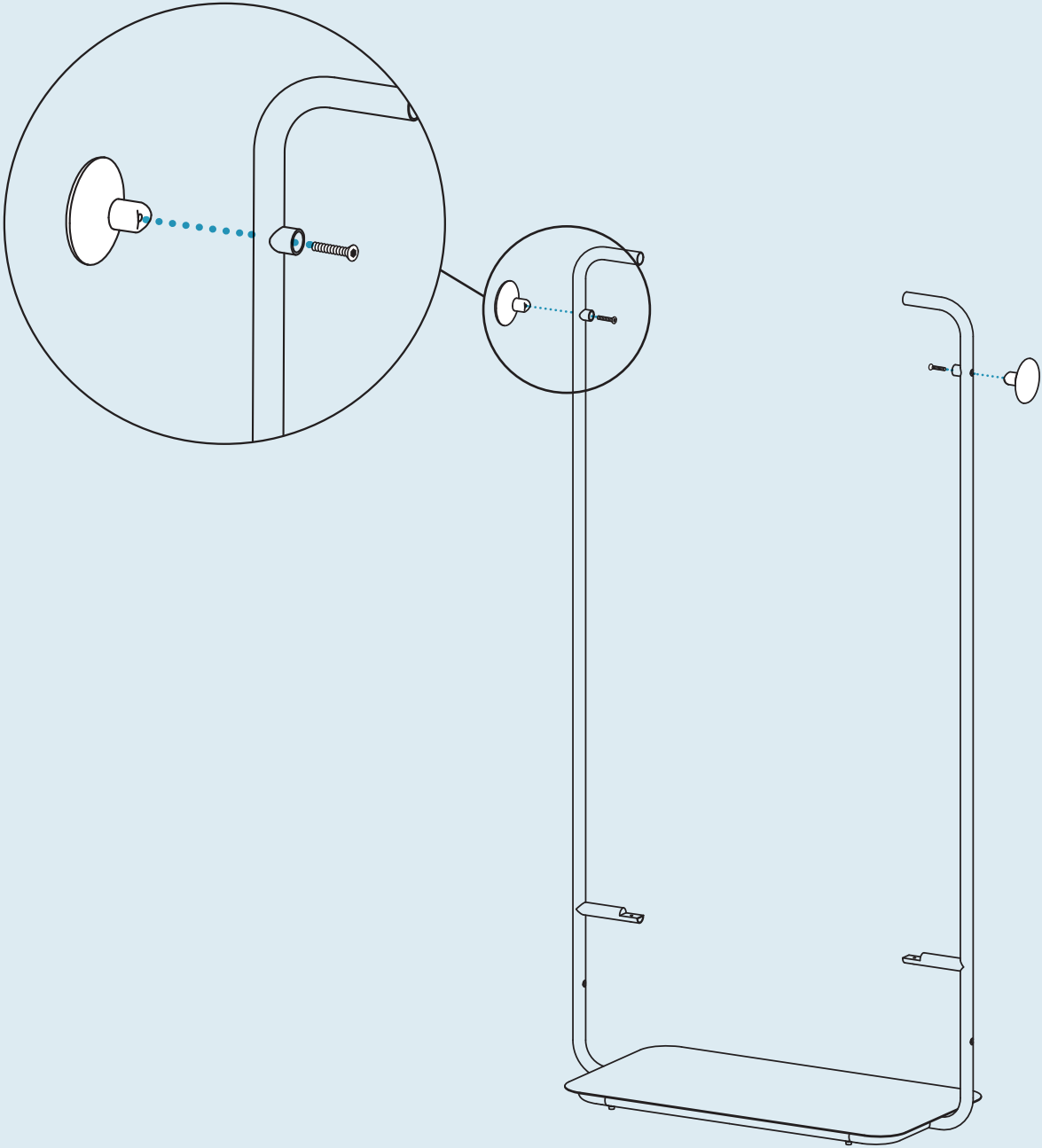
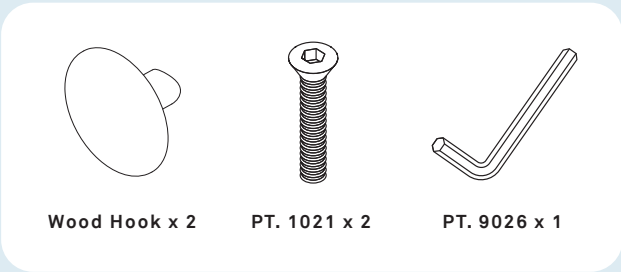


PT. 9030 x 1

Step 02

ATTACH THE WOOD HOOKS.

Use the provided hardware to attach the wood hooks to the uprights as shown.

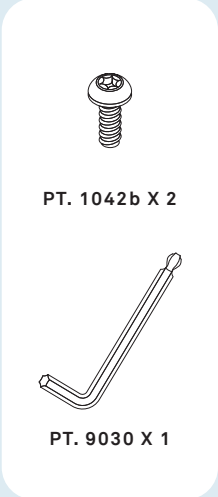
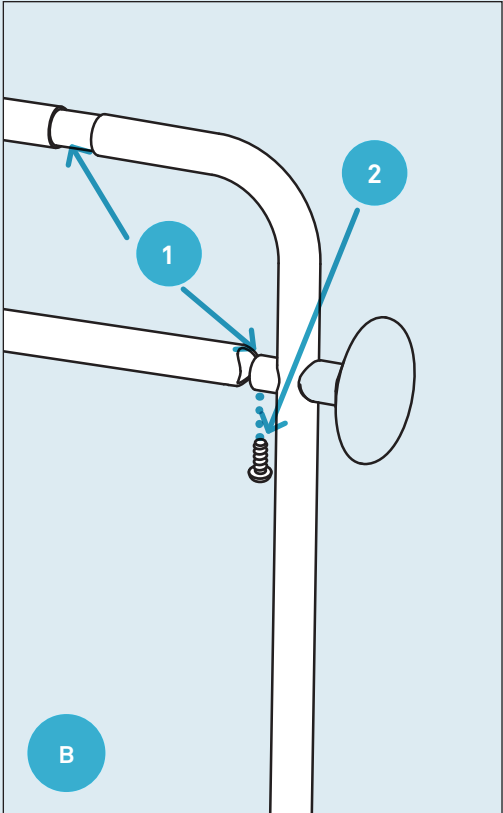
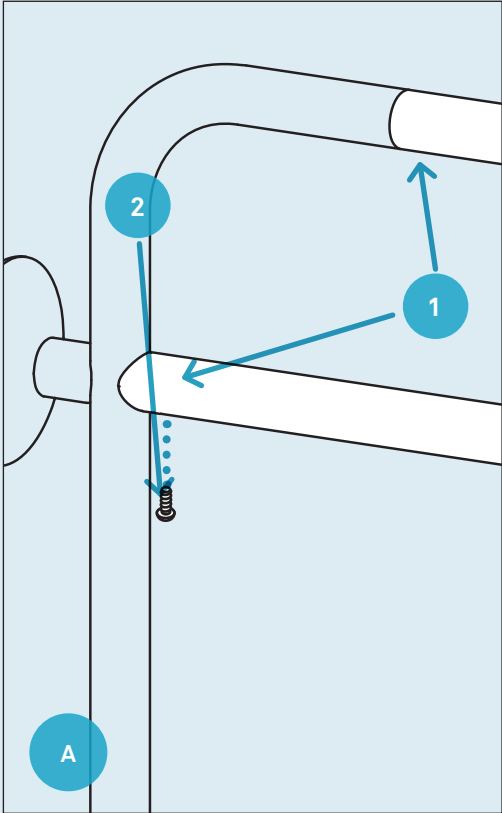
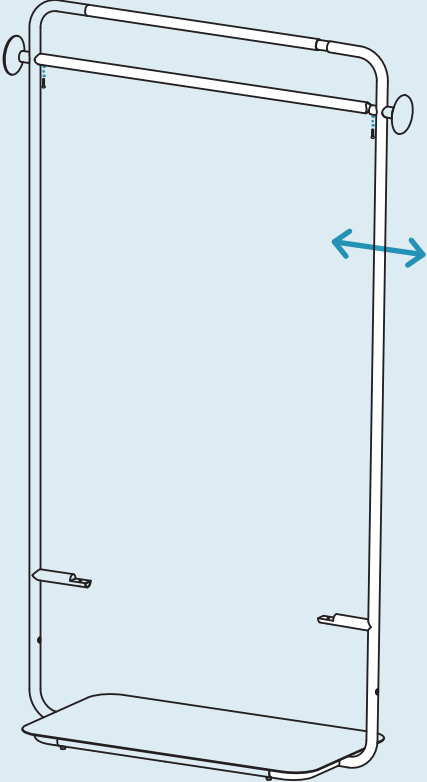


Step 03

ATTACH THE TOP AND HANGING TUBE.

Please have two people perform this step.

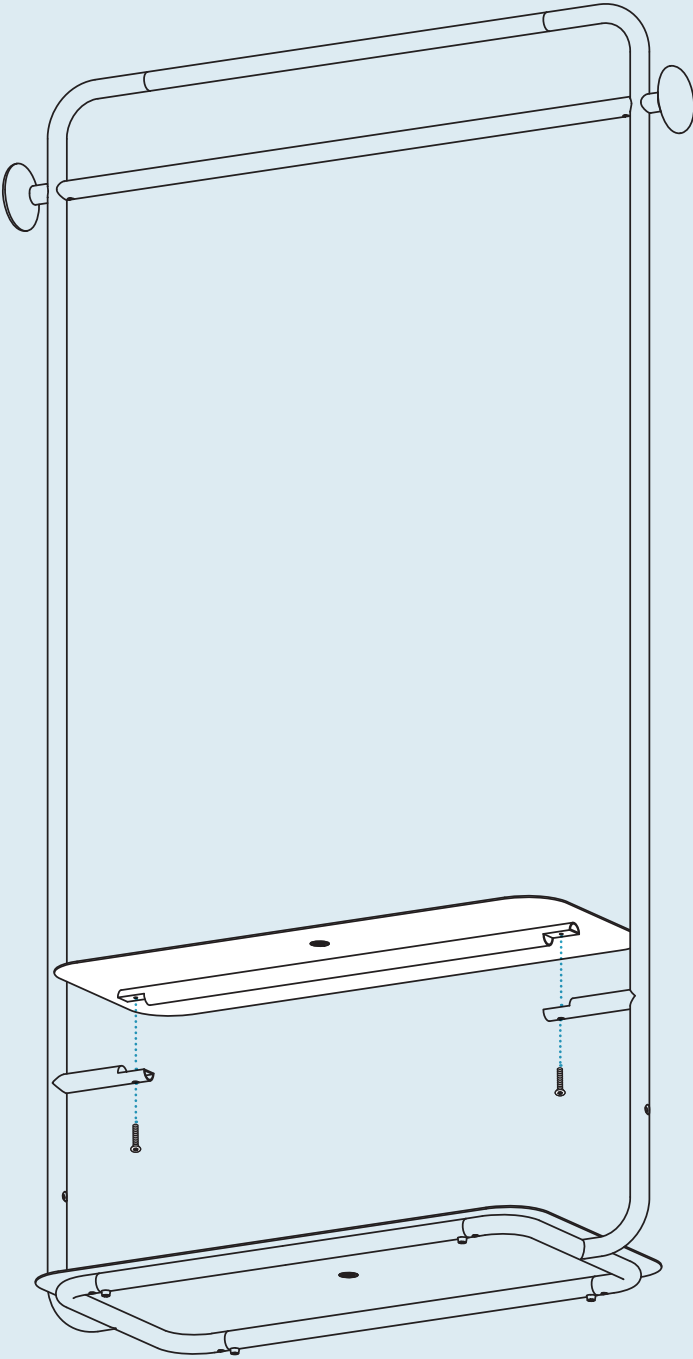
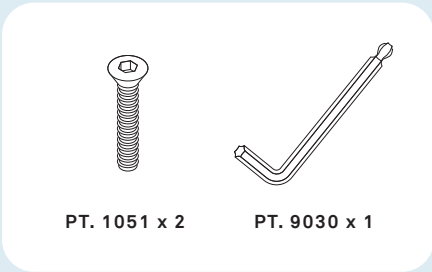
- A) Slot both tubes into the fixed upright and attach one of the bolts.
- B) Then slot the tubes into the other upright simultaneously and install the second bolt.



Step 04

ATTACH THE SHELF.

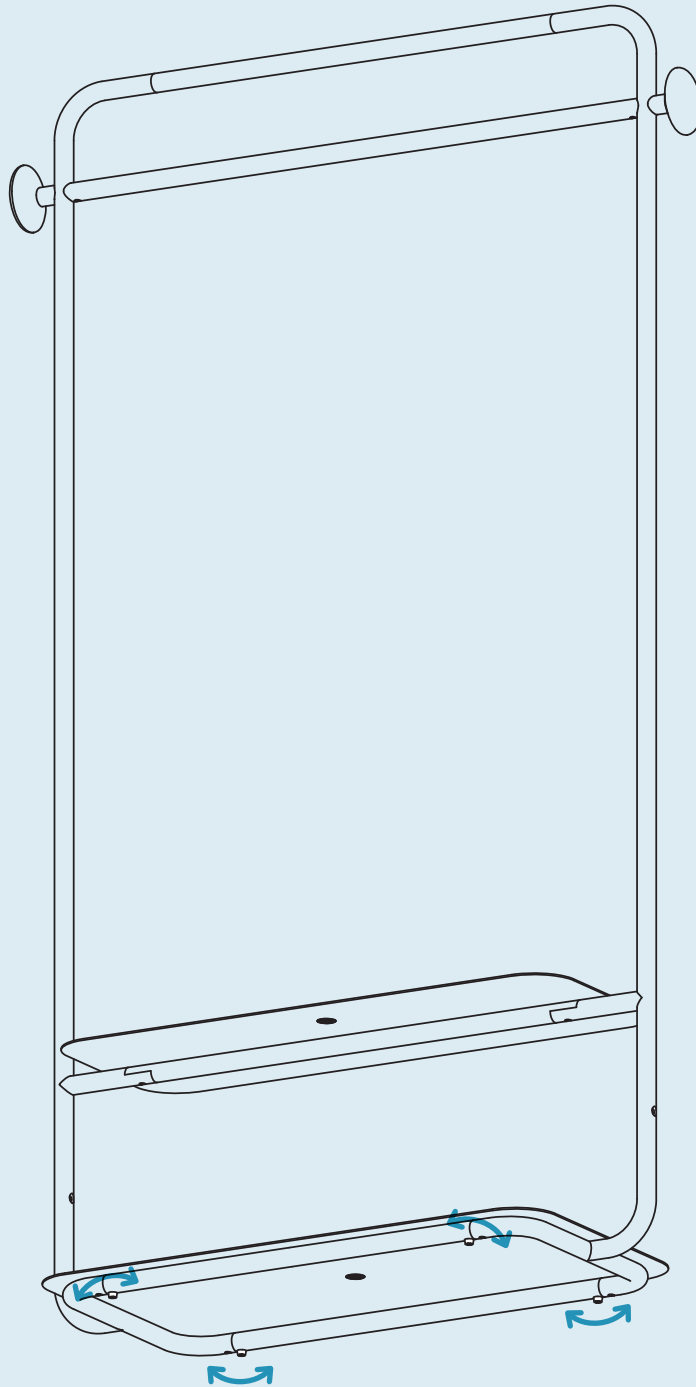
Attach the shelf as shown using the provided hardware.



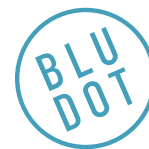
Step 05

LEVEL THE GARMENT RACK.

If necessary, level the base by twisting the adjustable glides underneath.

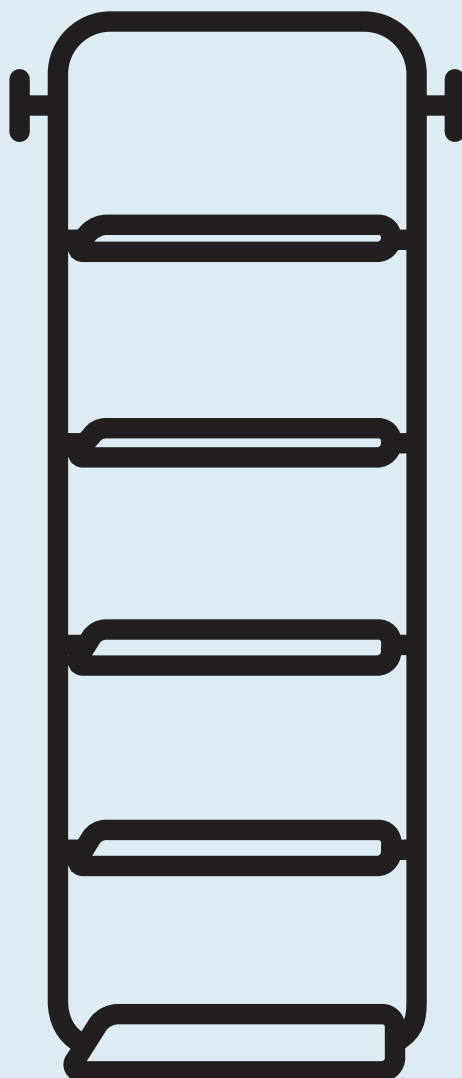


Garden Party Shelving



DESIGNED IN 2021

ASSEMBLY NOTES | REV 03



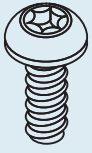
NEED A HAND?

Contact us at service@bludot.com or **844.425.8368** for assistance.

@BLUDOT

We design all our pieces in our Minneapolis studio. Follow along on Instagram for some sneak peeks into the process.

Parts & Hardware



QTY 4

Pt. 1042b



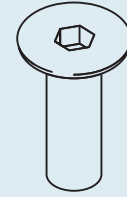
QTY 8

Pt. 1051



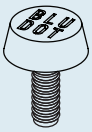
QTY 4*

Pt. 1021



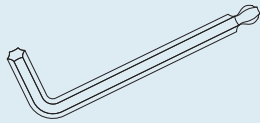
QTY 2*

Pt. 2025



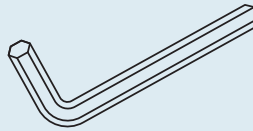
QTY 4

Pt. 4024



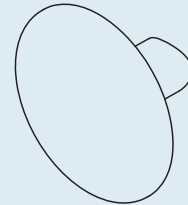
QTY 1

Pt. 9030



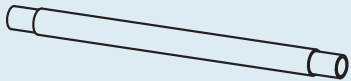
QTY 1

Pt. 9026



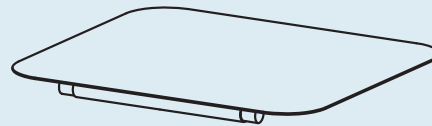
QTY 2

Wood Hook



QTY 1

Narrow Top Tube



QTY 1

Narrow Base



QTY 4

Narrow Shelf



QTY 2

Shelf Upright

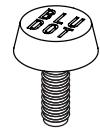
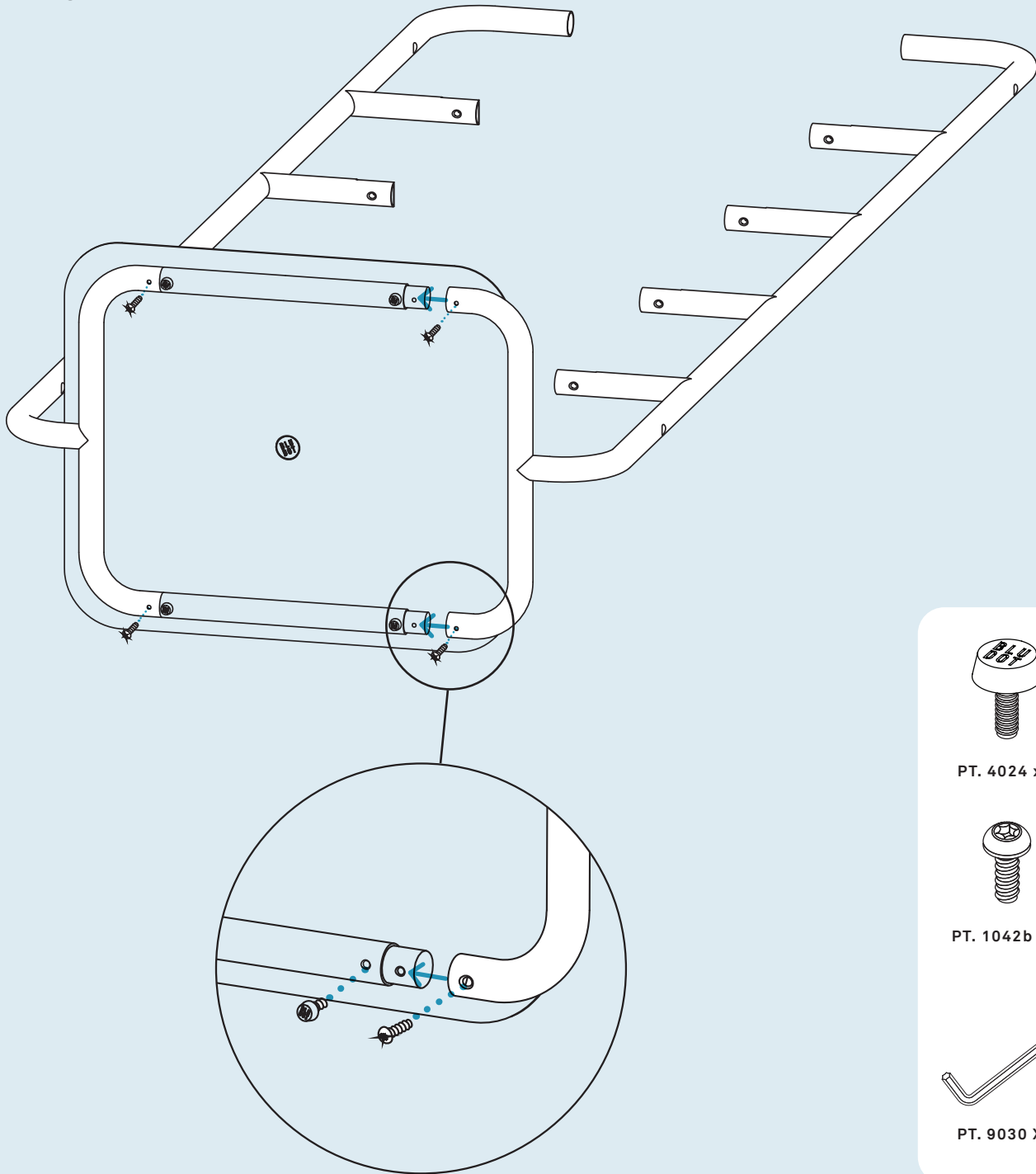
* Only two of Pt. 1021 and no Pt. 2025 will be used for this configuration.

Step 01

ATTACH NARROW BASE TO SHELF UPRIGHTS.

Be sure to rest unit on a soft surface such as a rug or carpet.

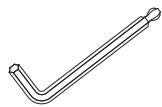
Using the provided hardware, attach the shelf uprights to the narrow base as shown.



PT. 4024 x 4



PT. 1042b X 4



PT. 9030 X 1

Step 02

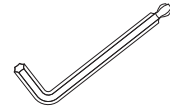
ATTACH THE UPPER BAR AND SHELF.

A) Slide the upper bar into the top of each upright.

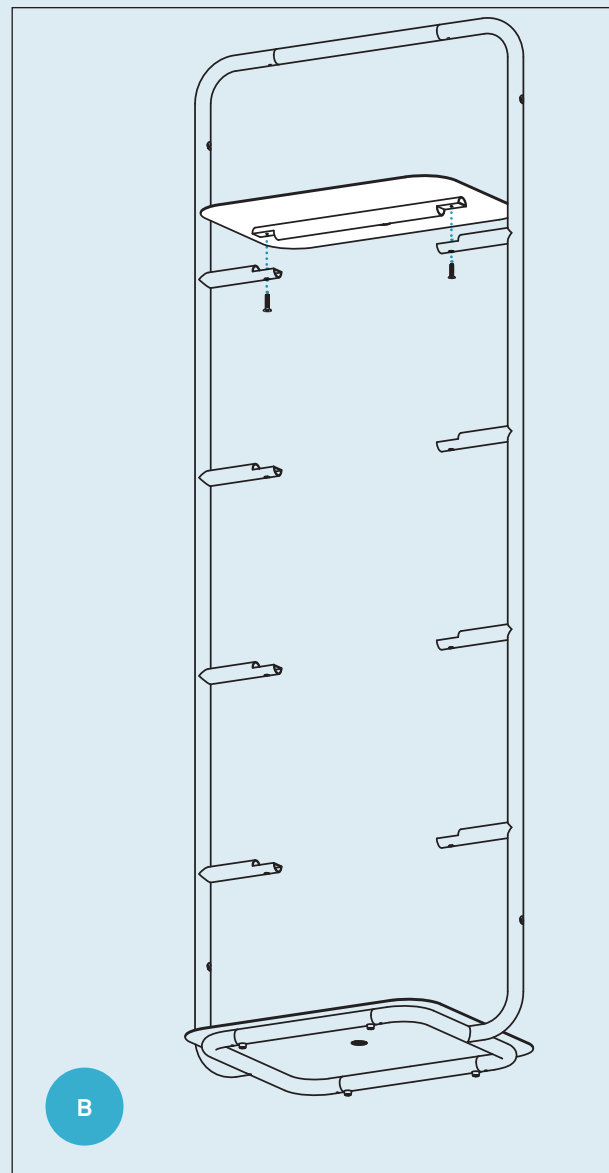
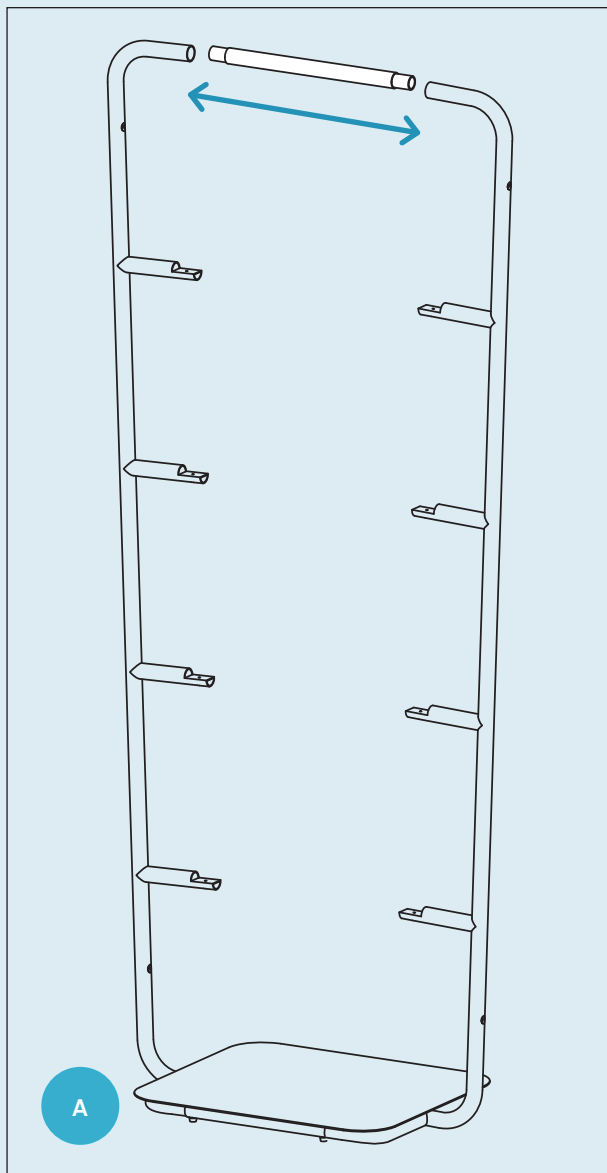
B) Attach the top shelf as shown using the provided hardware. **Note: Careful when assembling the top shelf as pulling the uprights apart will dislodge the upper bar.**



PT. 1051 x 2



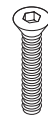
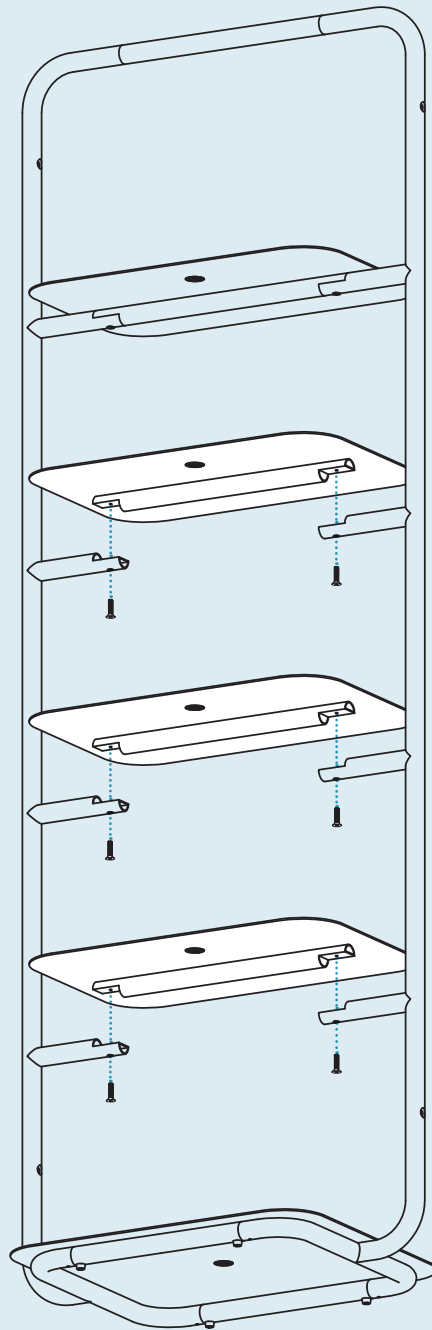
PT. 9030 x 1



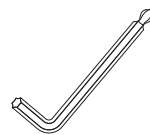
Step 03

ATTACH THE REMAINING SHELVES.

Using the provided hardware, attach the three remaining shelves as shown.



PT. 1051 X 6

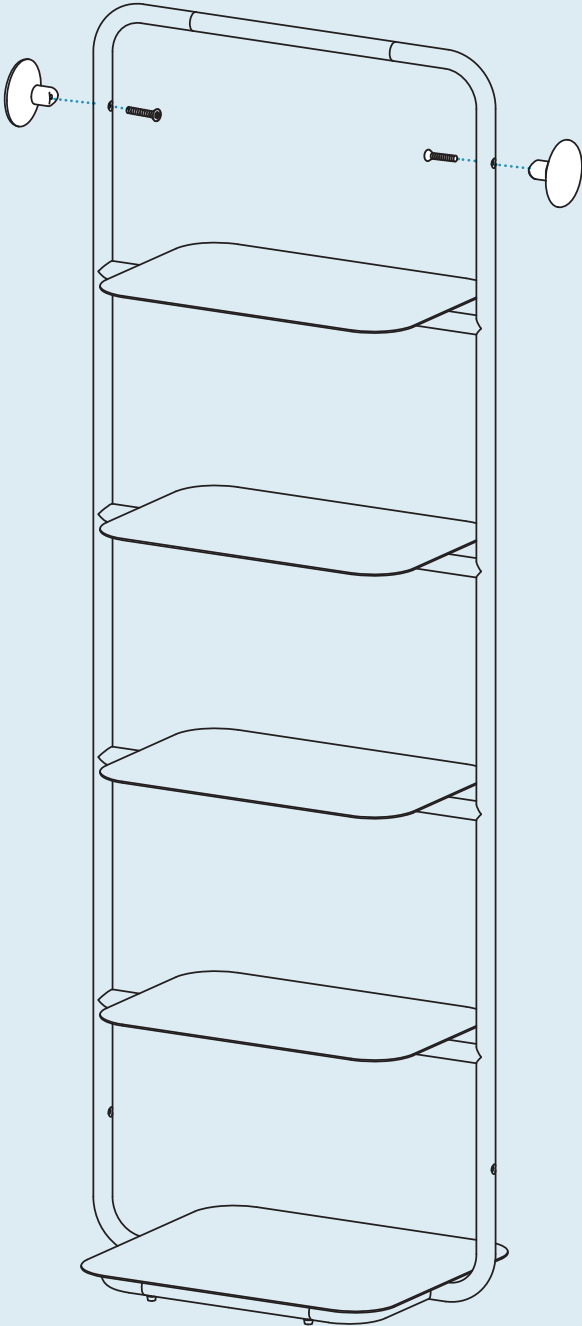
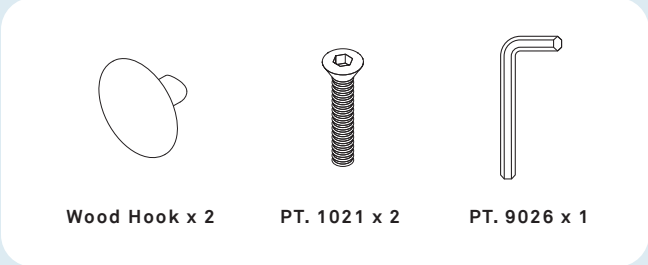


PT. 9030 X 1

Step 04

ATTACH THE WOOD HOOKS.

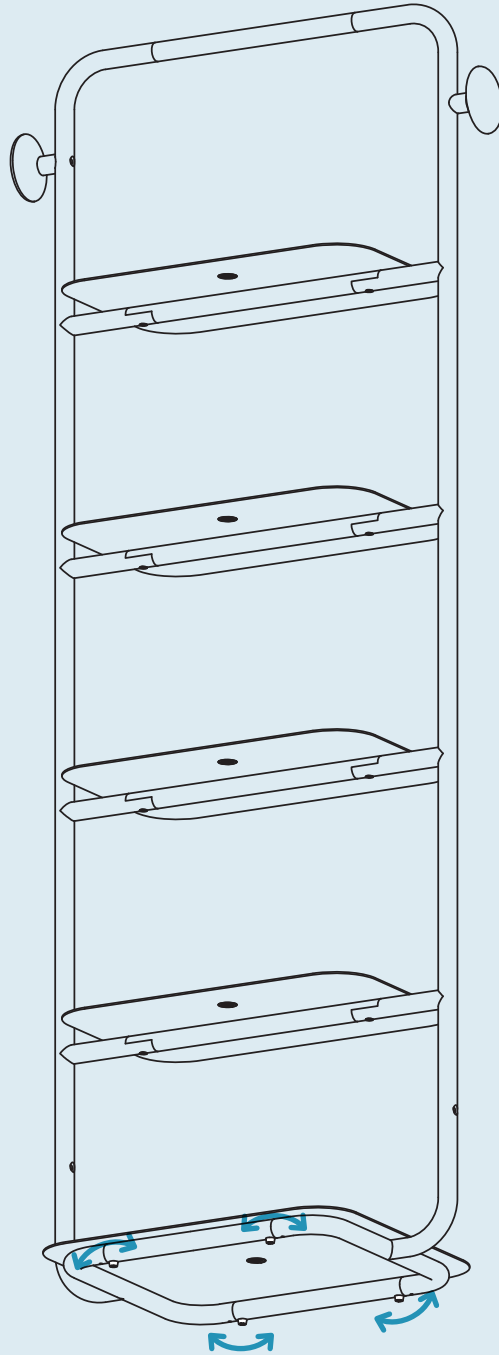
Use the provided hardware to attach the wood hooks to the outer uprights as shown.



Step 05

LEVEL THE BASE.

If necessary, level the bases by twisting the adjustable glides on the bottom of the base.

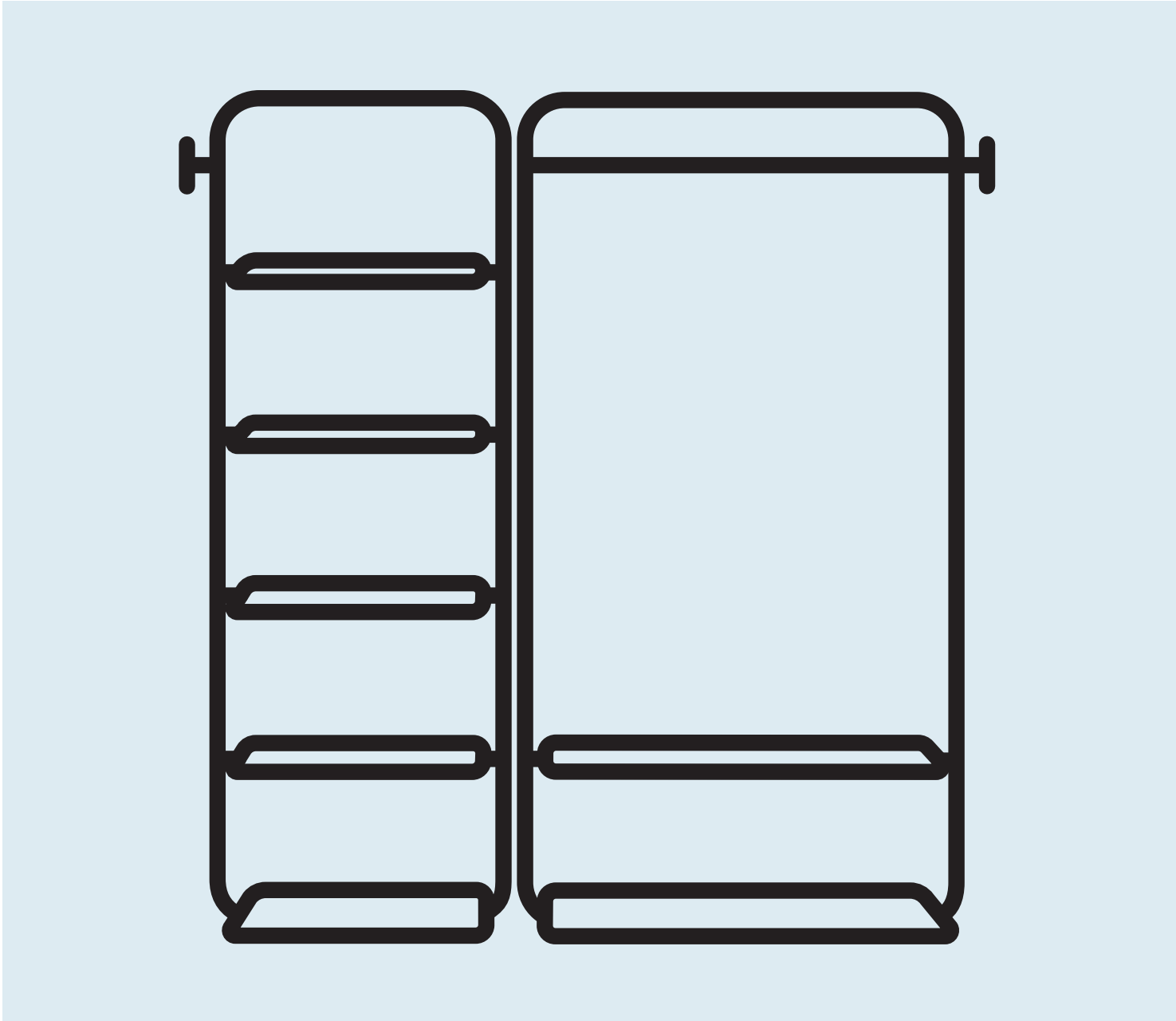


Garden Party Wardrobe System



DESIGNED IN 2021

ASSEMBLY NOTES | REV 03



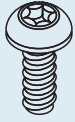
NEED A HAND?

Contact us at service@bludot.com or **844.425.8368** for assistance.

@BLUDOT

We design all our pieces in our Minneapolis studio. Follow along on Instagram for some sneak peeks into the process.

Parts & Hardware



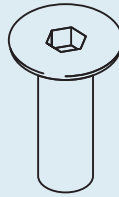
QTY 10

Pt. 1042b



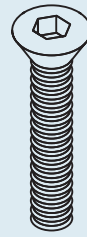
QTY 10

Pt. 1051



QTY 2

Pt. 2025



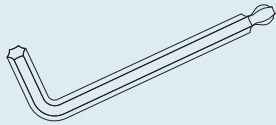
QTY 4

Pt. 1021



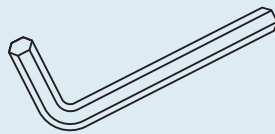
QTY 8

Pt. 4024



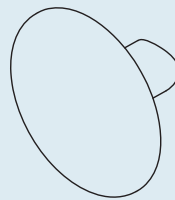
QTY 1

Pt. 9030



QTY 1

Pt. 9026



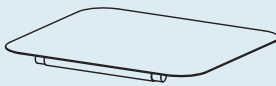
QTY 2

Wood Hook



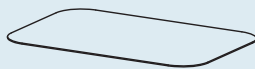
QTY 1

Narrow Top Tube



QTY 1

Narrow Base



QTY 4

Narrow Shelf



QTY 2

Shelf Upright



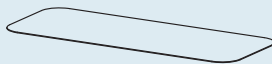
QTY 2

Garment Rack Upright



QTY 1

Wide Base



QTY 1

Wide Shelf



QTY 1

Wide Top Tube



QTY 1

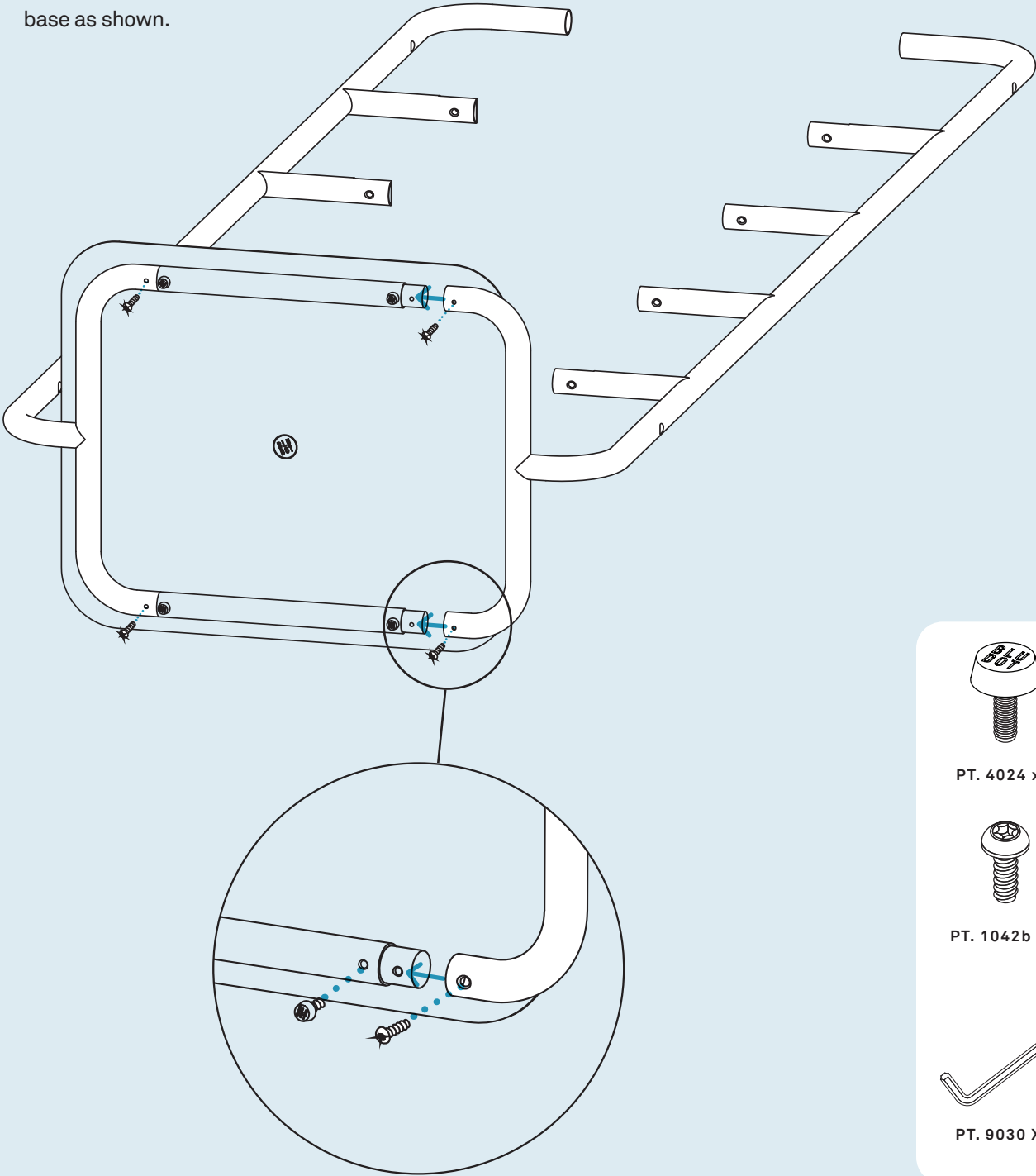
Hanging Tube

Step 01

ATTACH NARROW BASE TO SHELF UPRIGHTS.

Be sure to rest unit on a soft surface such as a rug or carpet.

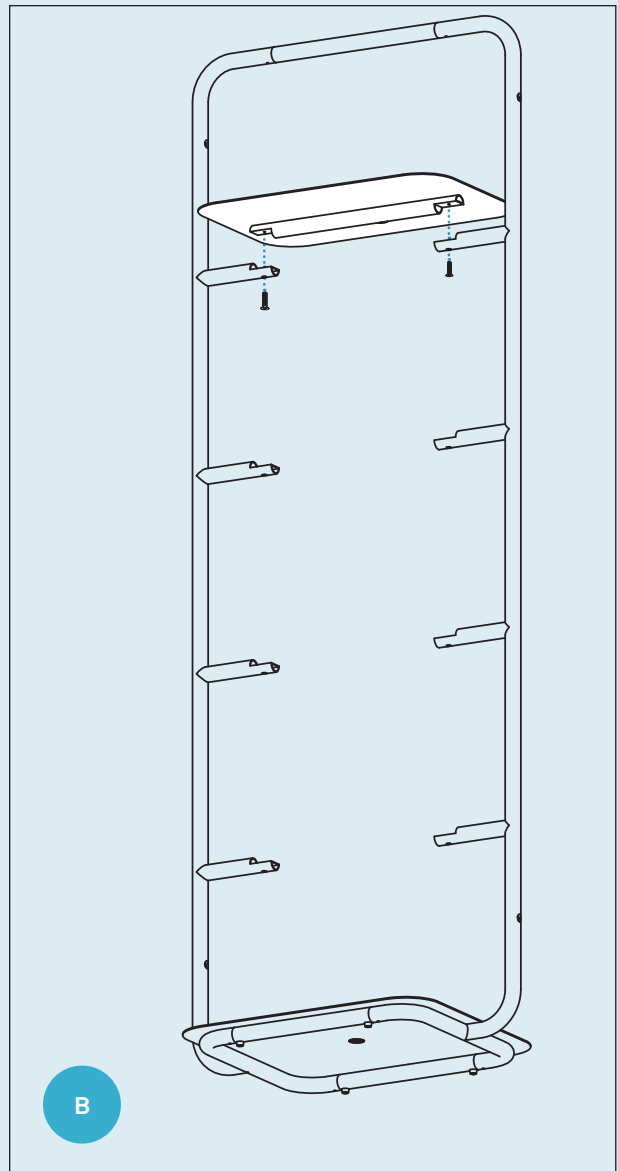
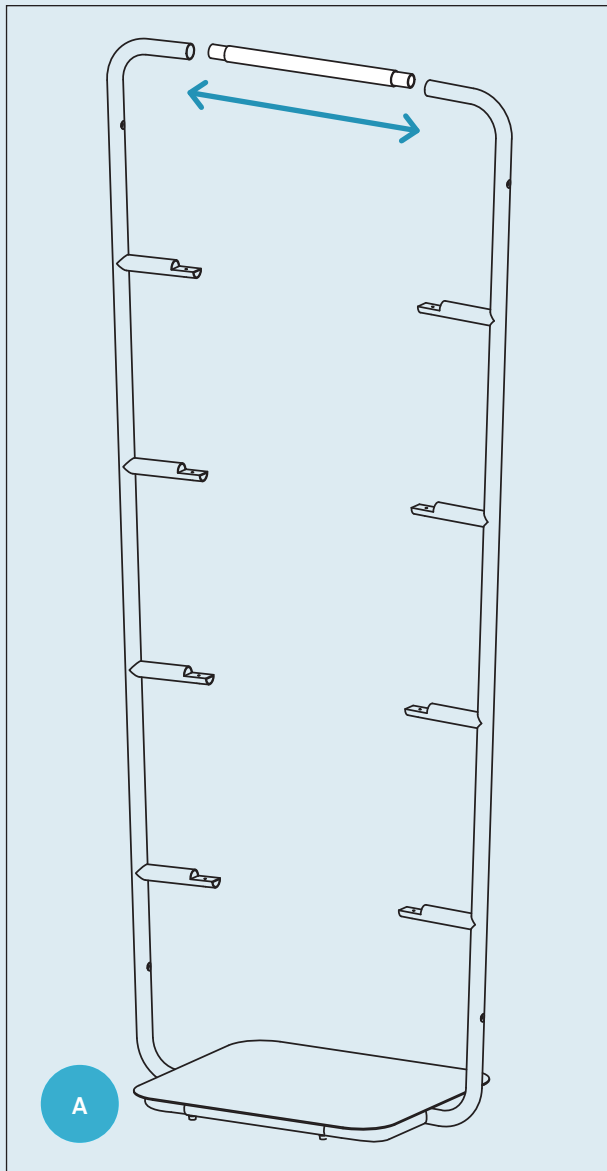
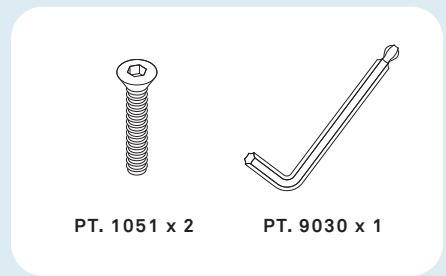
Using the provided hardware, attach the shelf uprights and adjustable glides to the narrow base as shown.



Step 02

ATTACH THE UPPER BAR AND SHELF.

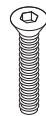
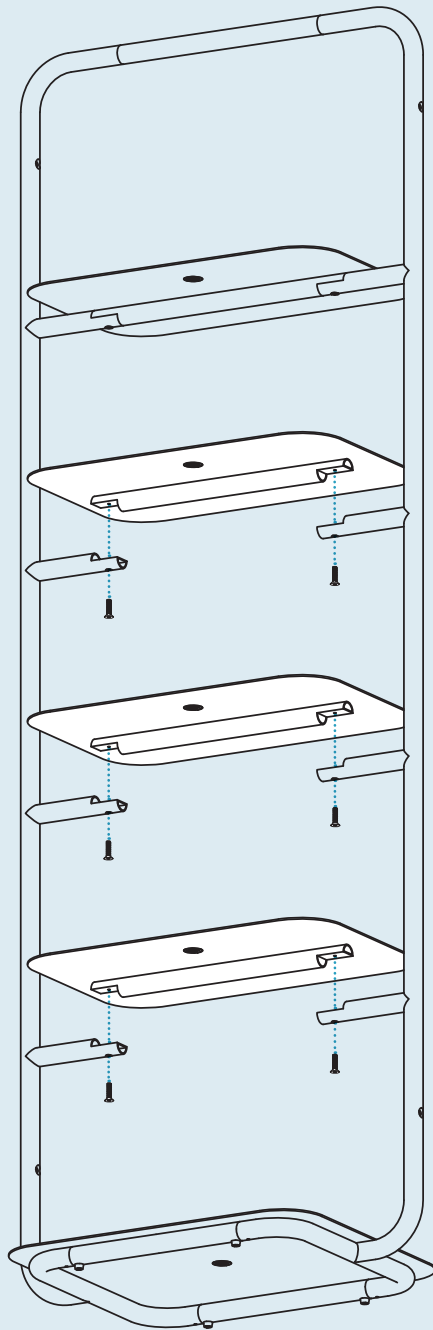
- A) Slide the upper bar into the top of each upright. Loosely attach the provided hardware as shown.
- B) Attach the top shelf as shown using the provided hardware. **Note: Tighten the hardware only after both pieces are attached.**



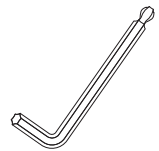
Step 03

ATTACH THE REMAINING SHELVES.

Using the provided hardware, attach the three remaining shelves as shown.



PT. 1051 X 6



PT. 9030 X 1

Step 04

ATTACH THE WIDE BASE TO THE GARMENT RACK UPRIGHTS.

Be sure to rest unit on a soft surface such as a rug or carpet.

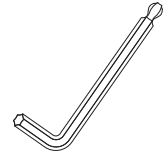
Using the provided hardware, attach the garment rack uprights and adjustable glides to the wide base as shown.



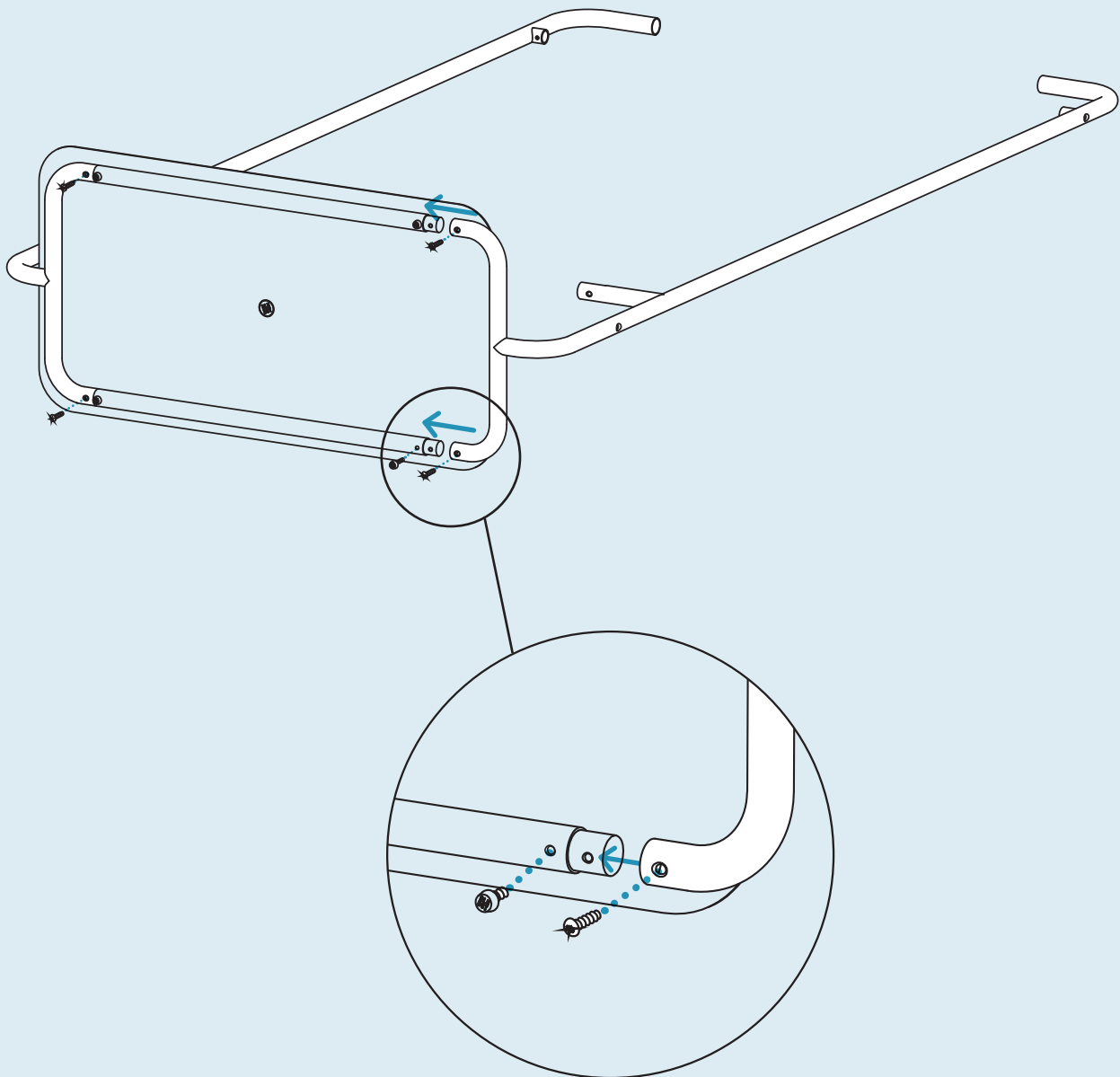
PT. 4024 x 4



PT. 1042b x 4



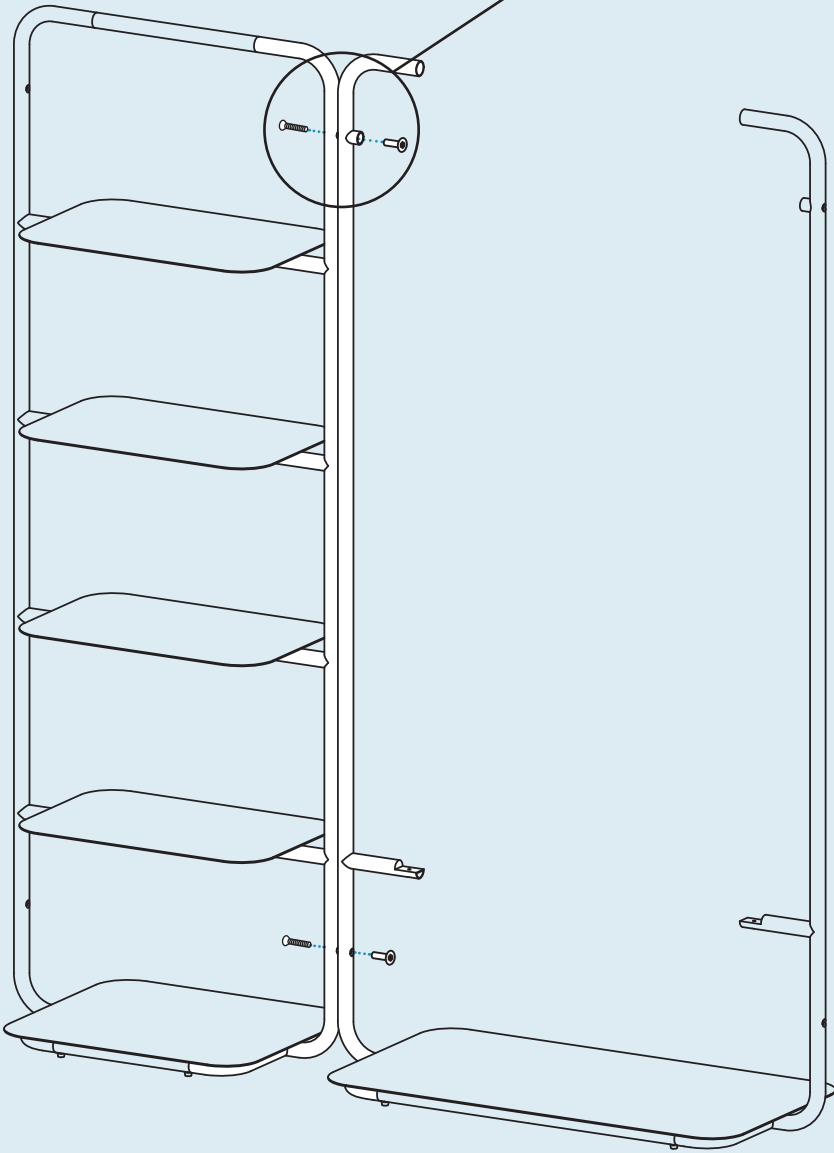
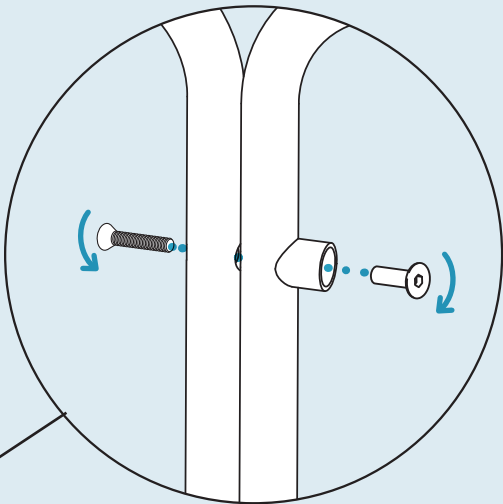
PT. 9030 x 1



Step 05

GANG UNITS TOGETHER.

Stand both units upright.
Gang the units together by linking the uprights as shown using the provided hardware.



PT. 9026 X 1

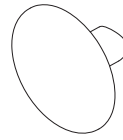
PT. 2025 X 2

PT. 1021 X 2

Step 06

ATTACH THE WOOD HOOKS.

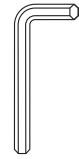
Use the provided hardware to attach the wood hooks to the outer uprights as shown.



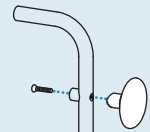
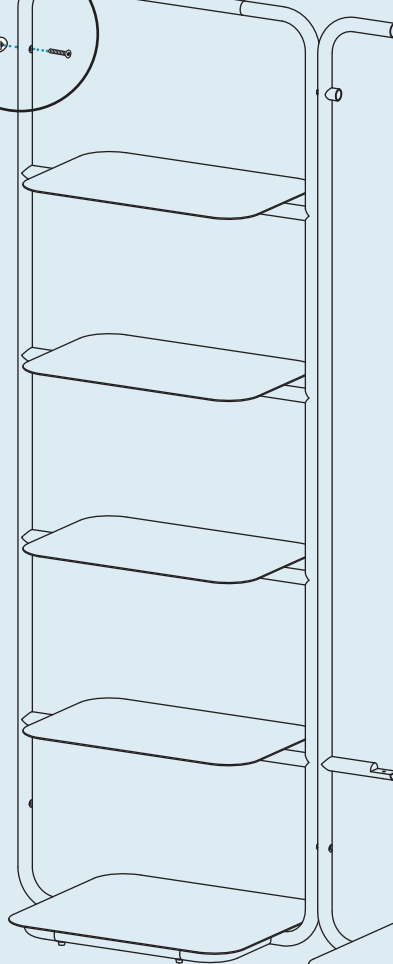
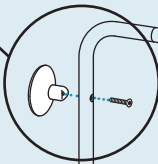
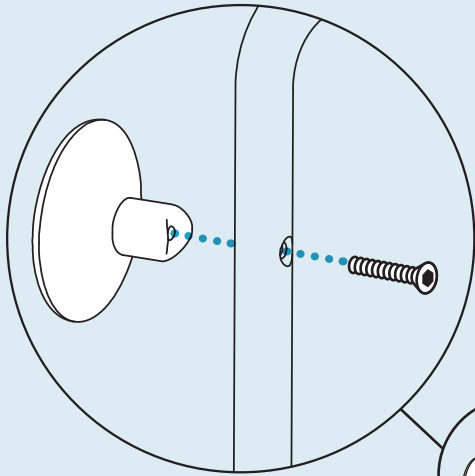
Wood Hook x 2



PT. 1021 x 2



PT. 9026 x 1

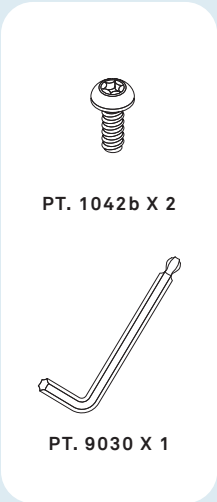
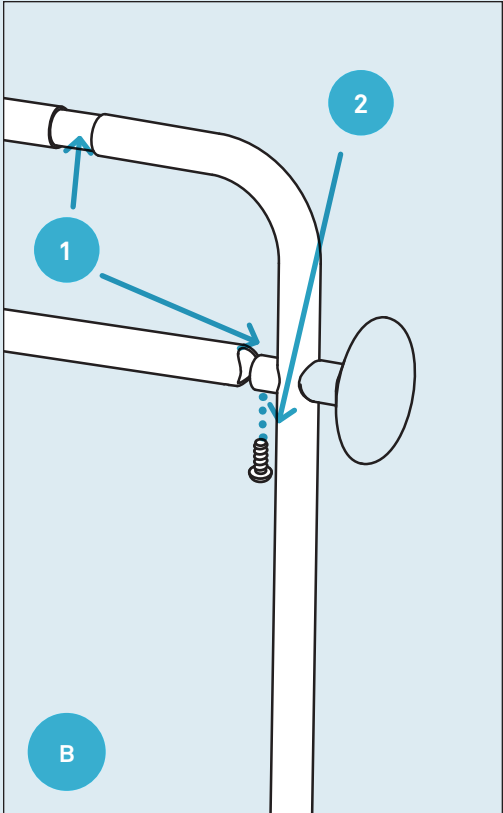
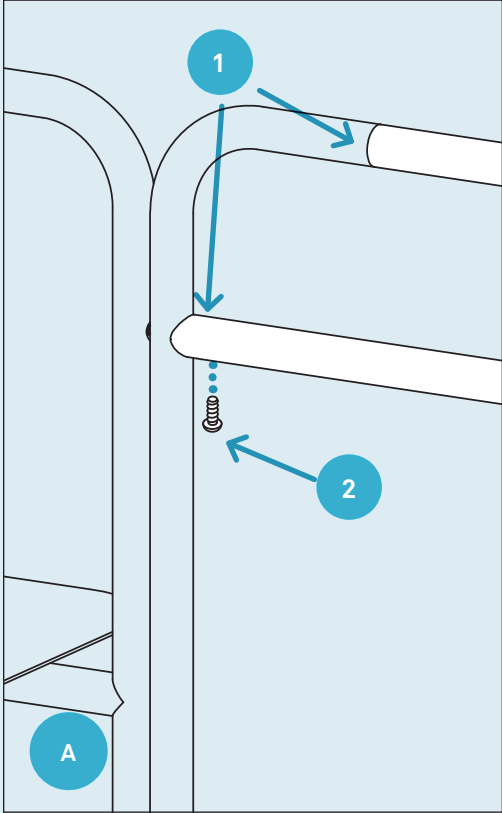
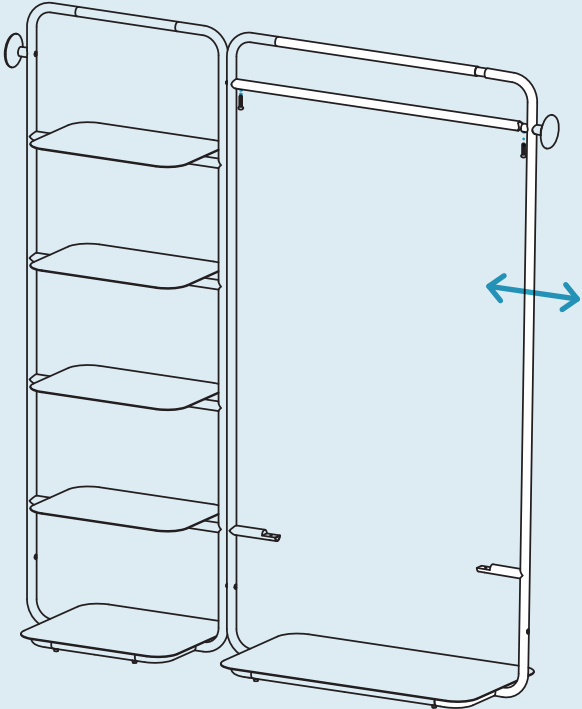


Step 07

ATTACH THE TOP AND HANGING TUBE.

Please have two people perform this step.

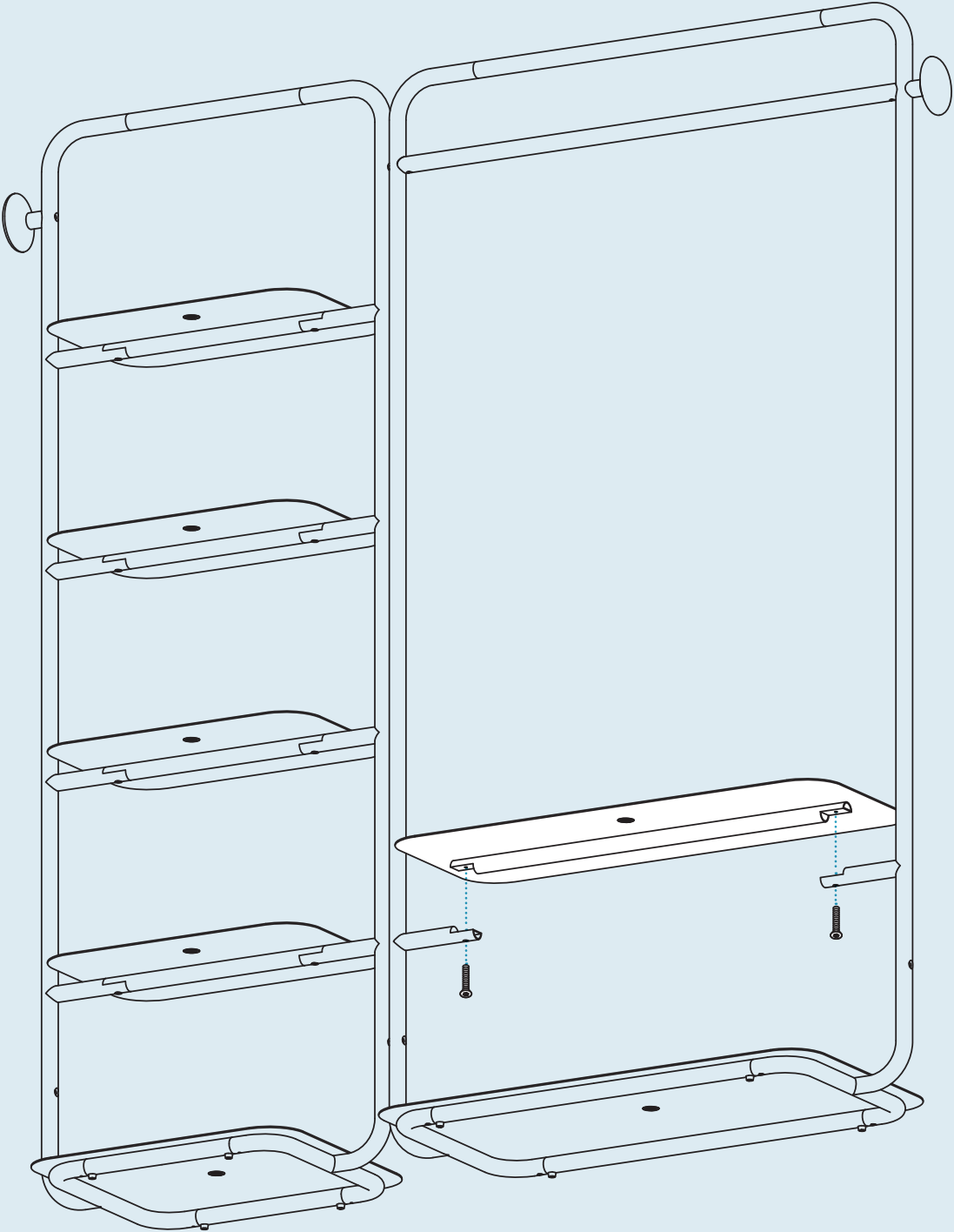
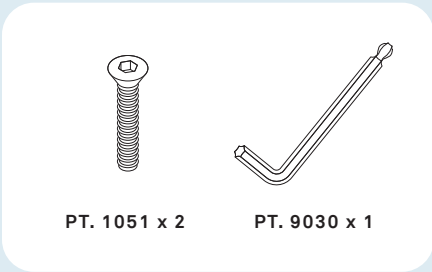
- A) Slot both tubes into the fixed upright and attach one of the bolts.
- B) Then slot the tubes into the other upright simultaneously and install the second bolt.



Step 08

ATTACH THE WIDE SHELF.

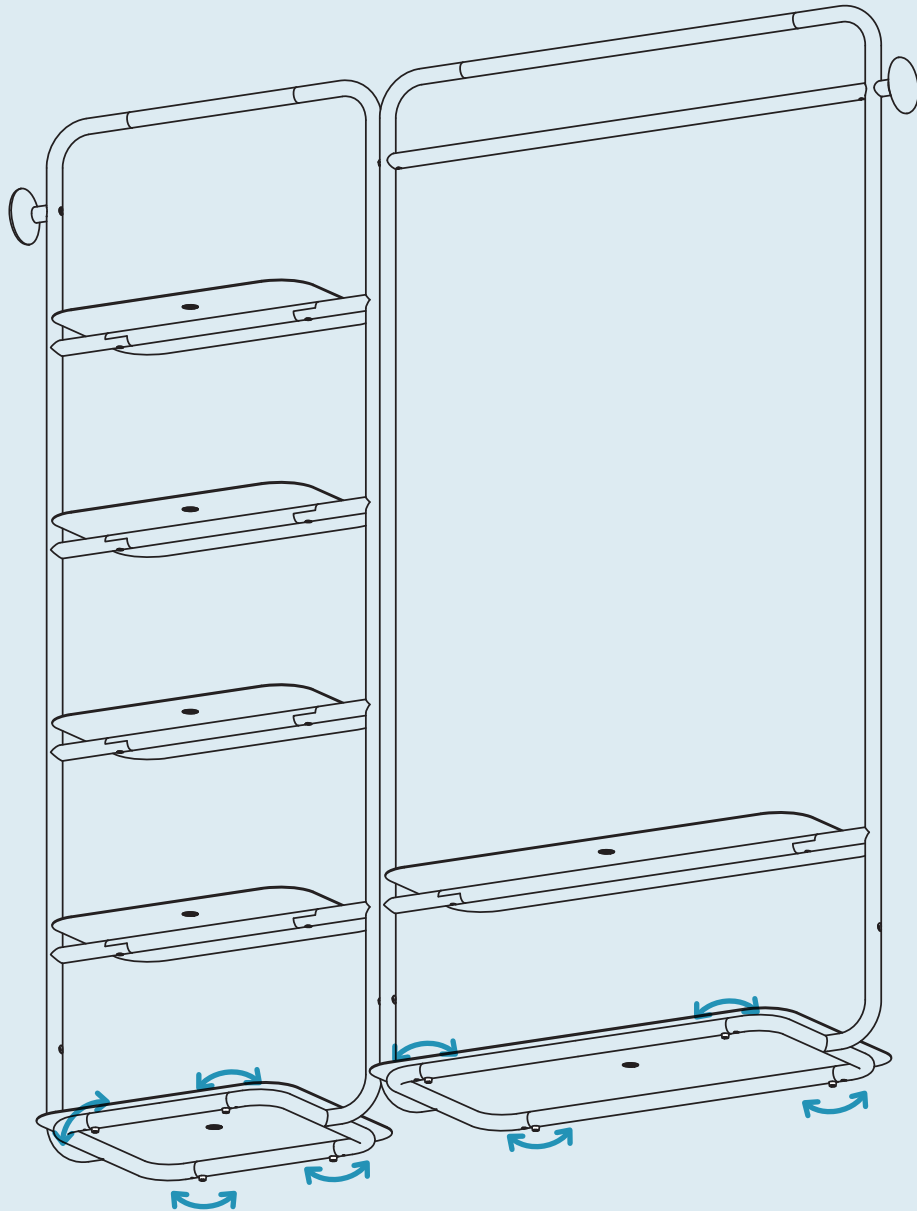
Attach the wide shelf as shown using the provided hardware.



Step 09

LEVEL THE WARDROBE SYSTEM.

If necessary, level the bases by twisting the adjustable glides in the bottom of the wardrobe system.



Additional Information

CLEAN

Clean with a slightly damp, soft cloth. To remove dirt and fingerprints, use a quality cleaner formulated for wood and metal furniture. Wipe completely dry with a soft cloth in the direction of the wood grain.

