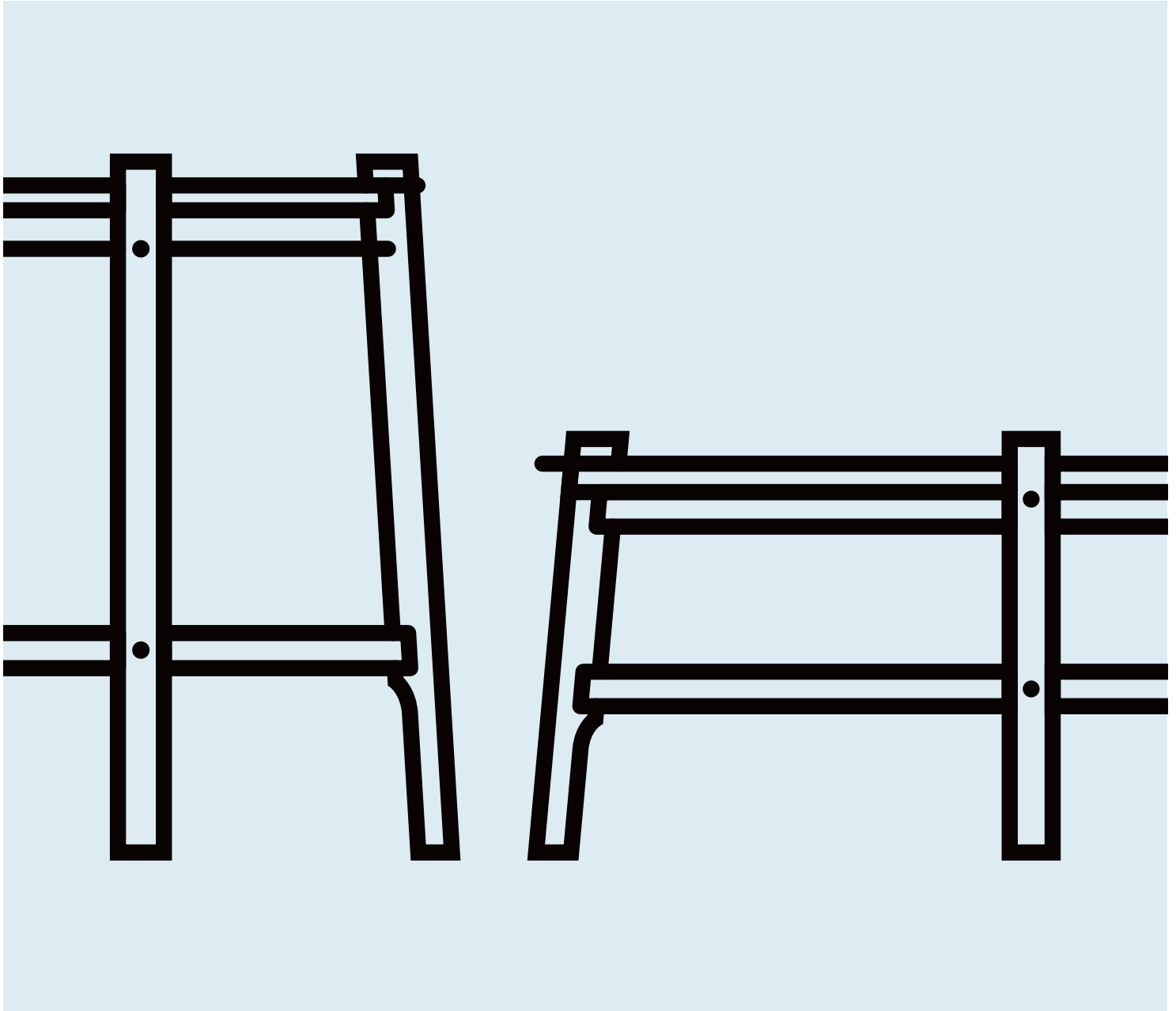


# Free Range Coffee Table



DESIGNED IN 2012

ASSEMBLY NOTES | REV 00



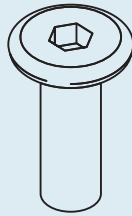
NEED A HAND?

Contact us at [service@bludot.com](mailto:service@bludot.com) or  
**844.425.8368** for assistance.

@BLUDOT

We design all our pieces in our Minneapolis studio. Follow  
along on Instagram for some sneak peeks into the process.

# Parts & Hardware



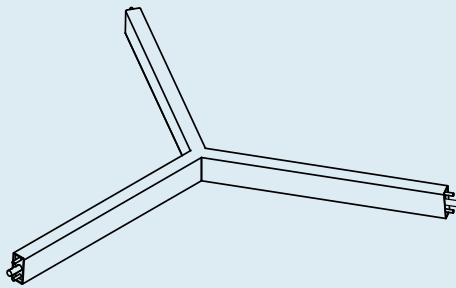
QTY 6

Pt. 5017



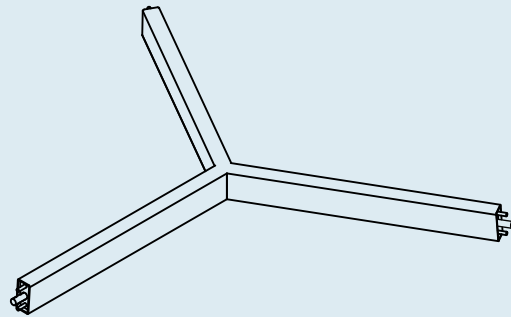
QTY 1

Pt. 9004



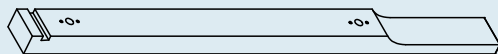
QTY 1

Top Support



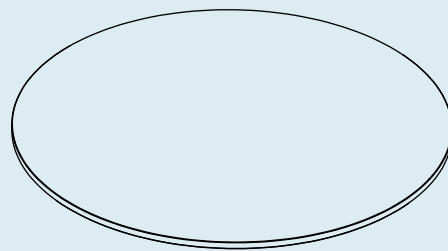
QTY 1

Bottom Support



QTY 3

Leg



QTY 1

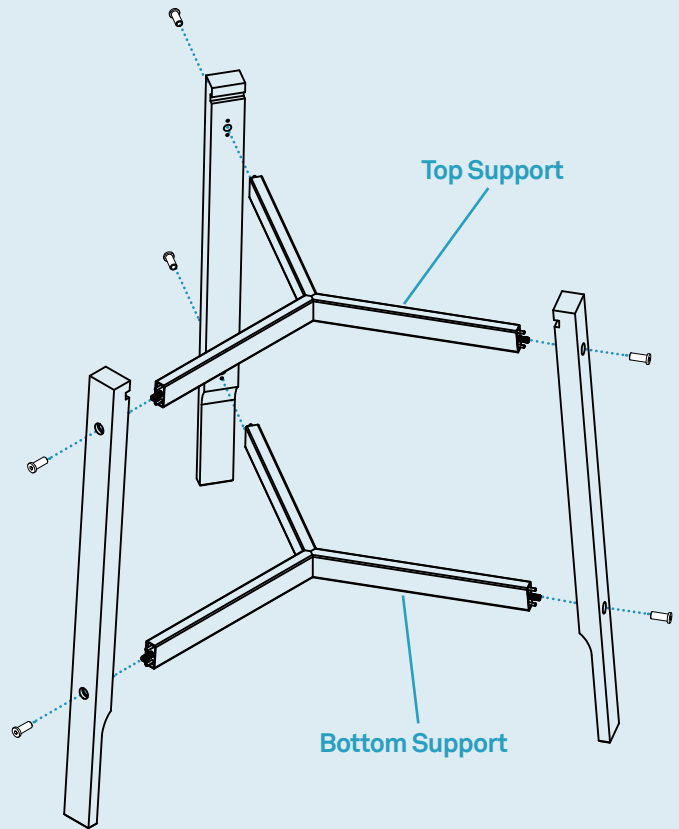
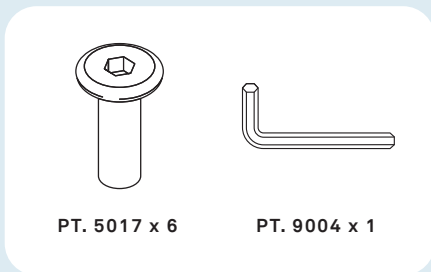
Top Panel

# Step 01

## ASSEMBLE BASE.

Assemble this product on a soft surface. Loosely attach the legs and support pieces with the provided hardware as shown. Do not tighten the bolts until later in assembly.

**Note:** The legs angle outwards towards the bottom of the base.

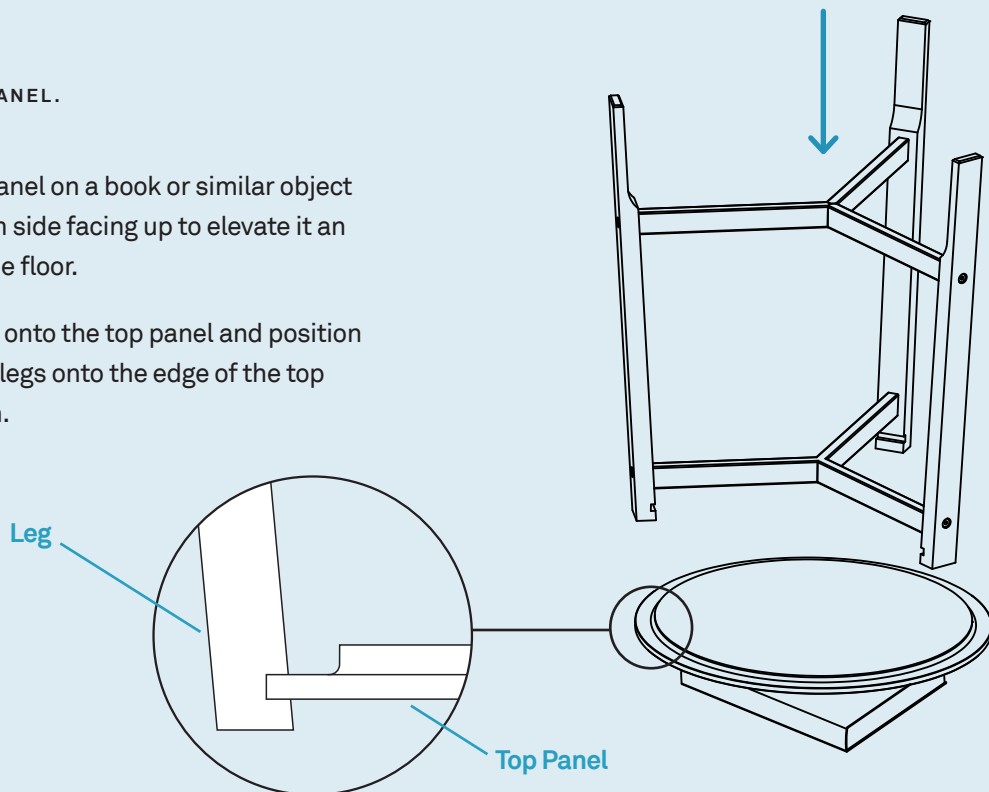


# Step 02

## POSITION TOP PANEL.

Place the top panel on a book or similar object with the bottom side facing up to elevate it an inch or so off the floor.

Lower the base onto the top panel and position the slots in the legs onto the edge of the top panel as shown.



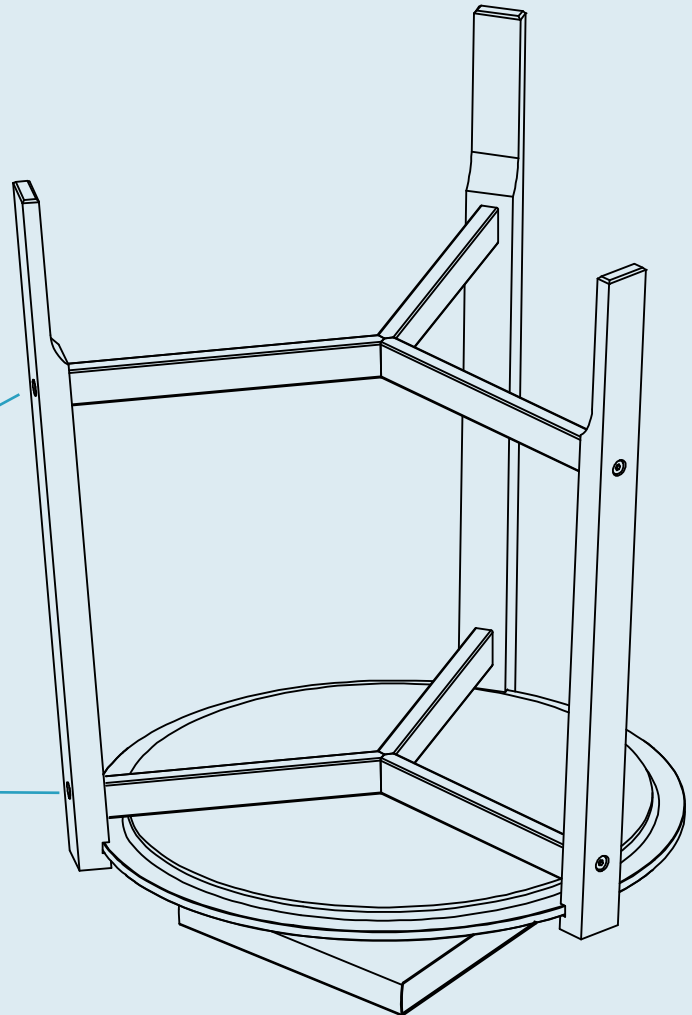
## Step 03

### SECURE TOP PANEL.

Secure the top panel in place by tightening the hardware gradually; tightening each fastener one turn at a time while working your way around the table. Tighten the fasteners in the order as shown.

Tighten these fasteners last

Tighten these fasteners first



PT. 9004 x 1

## Additional Information

### NOTE

The natural stone top will have variances in appearance and each piece is unique.

### CLEAN

Clean top with a soft cloth or sponge using a mild detergent such as dish soap. On legs, use a quality cleaner formulated for wood furniture. Wipe completely dry with a soft clean in the grain direction.

