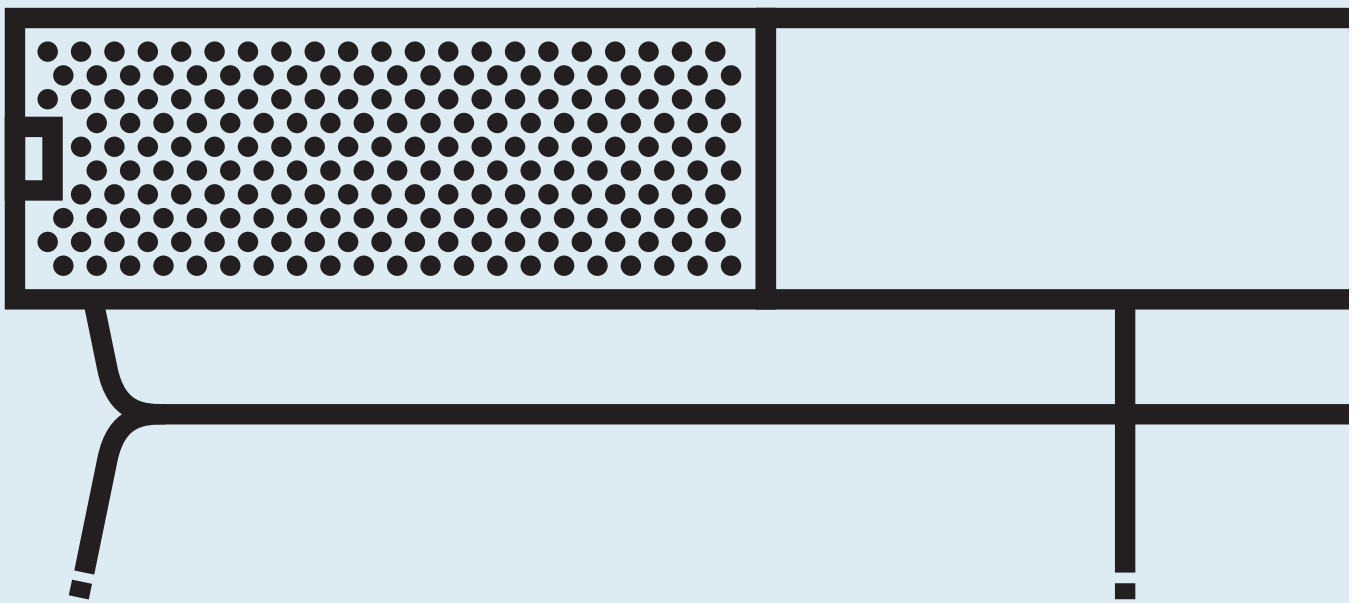
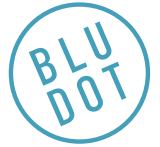


Dang Collection

DESIGNED IN 2016

ASSEMBLY NOTES | REV 02



ALMOST SEEMS A SHAME TO MUCK IT UP WITH A TV.

Perforated steel door fronts allow use of remotes without spoiling the view. Brass details and powder-coated steel base.

NEED A HAND?

Contact us at service@bludot.com or **844.425.8368** for assistance.

Parts & Hardware



QTY 4

Pt. 1218



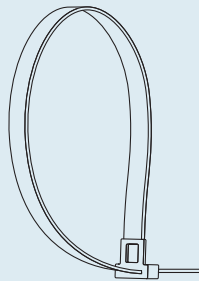
QTY 4

Pt. 1217



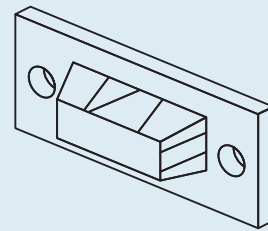
QTY 4

Pt. 8052



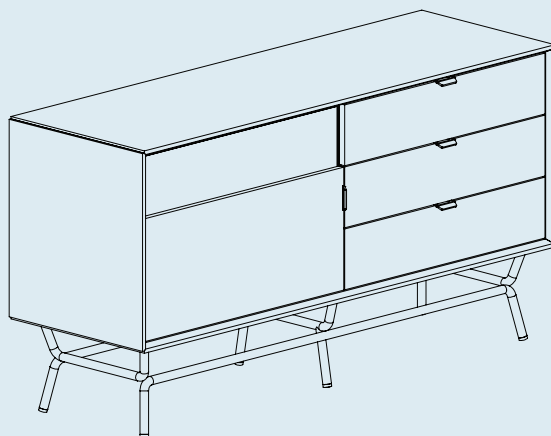
QTY 2

Pt. 8042



QTY 4

Pt. 8041



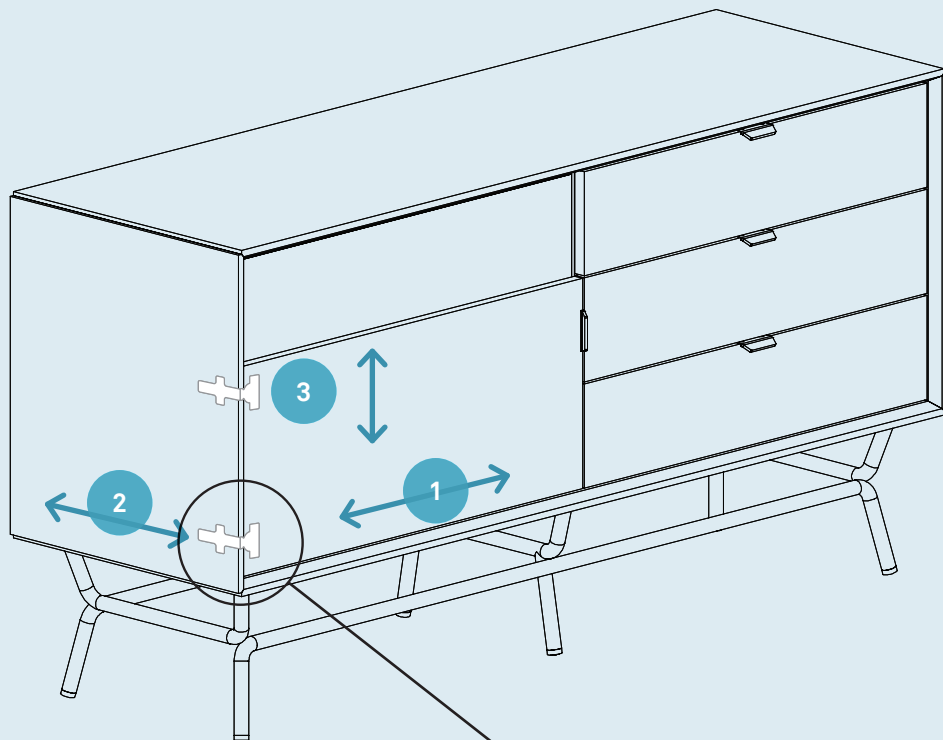
QTY 1

Case

Step 01

DOOR ADJUSTMENT.

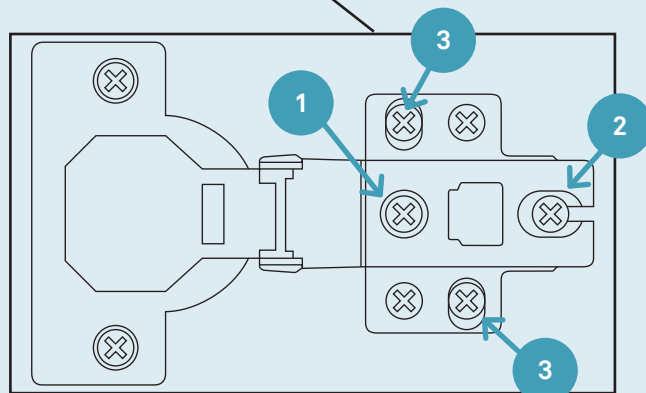
Hinges work in pairs. If you adjust one hinge, chances are you will have to adjust all the hinges.



If door needs adjustment from TOP TO BOTTOM, Use Screw #3.

If door needs adjustment from SIDE TO SIDE, Use Screw #1.

If door needs adjustment from FRONT TO BACK, Use Screw #2.



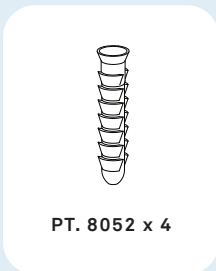
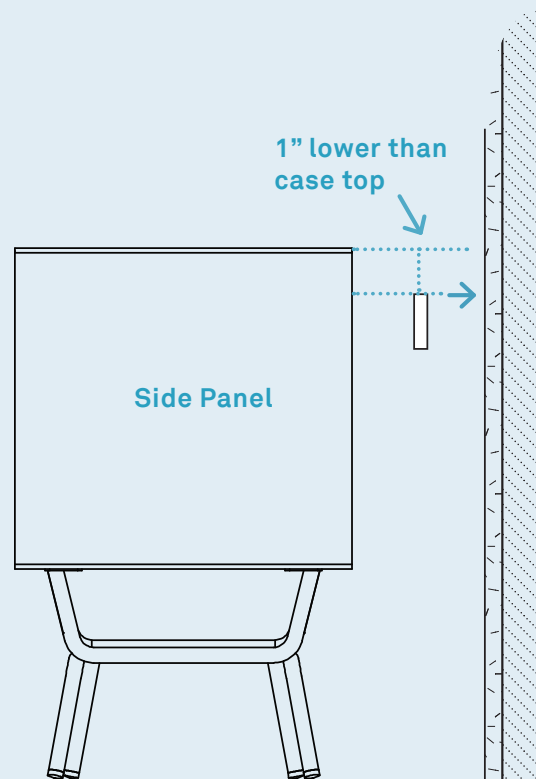
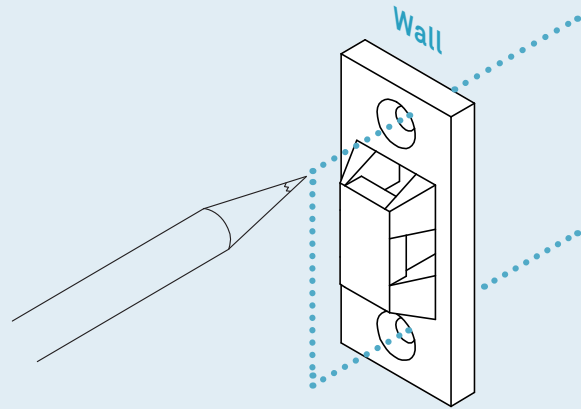
Step 02

INSTALL WALL ANCHORS.

Wall anchors and fasteners are included for installation into drywall. Please consult your local hardware professional to determine the hardware best suited for your wall type.

If the mounting locations are not positioned on a stud, drill **5/16"** holes in the marked locations. Press wall anchors into drilled holes.

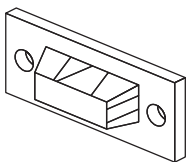
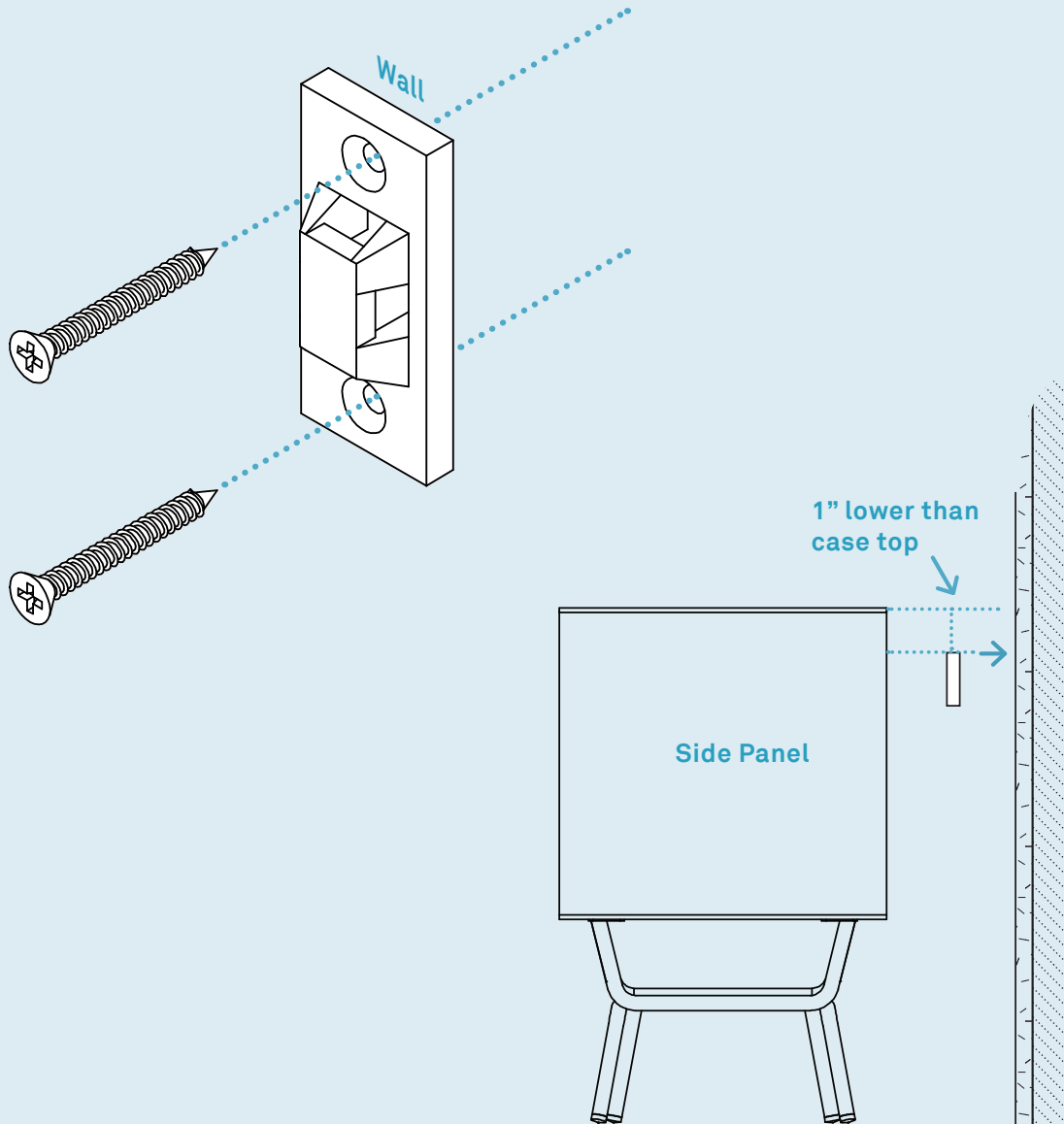
If the mounting locations are positioned on a stud, this step of installing wall anchors may be skipped. Instead, drill **7/64"** pilot holes in the marked positions.



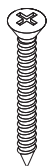
Step 03

ATTACH ANTI-TIP BRACKET TO THE WALL.

Install anti-tip bracket to wall stud 1-inch below case top panel height.



Pt. 8041 x 2

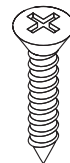
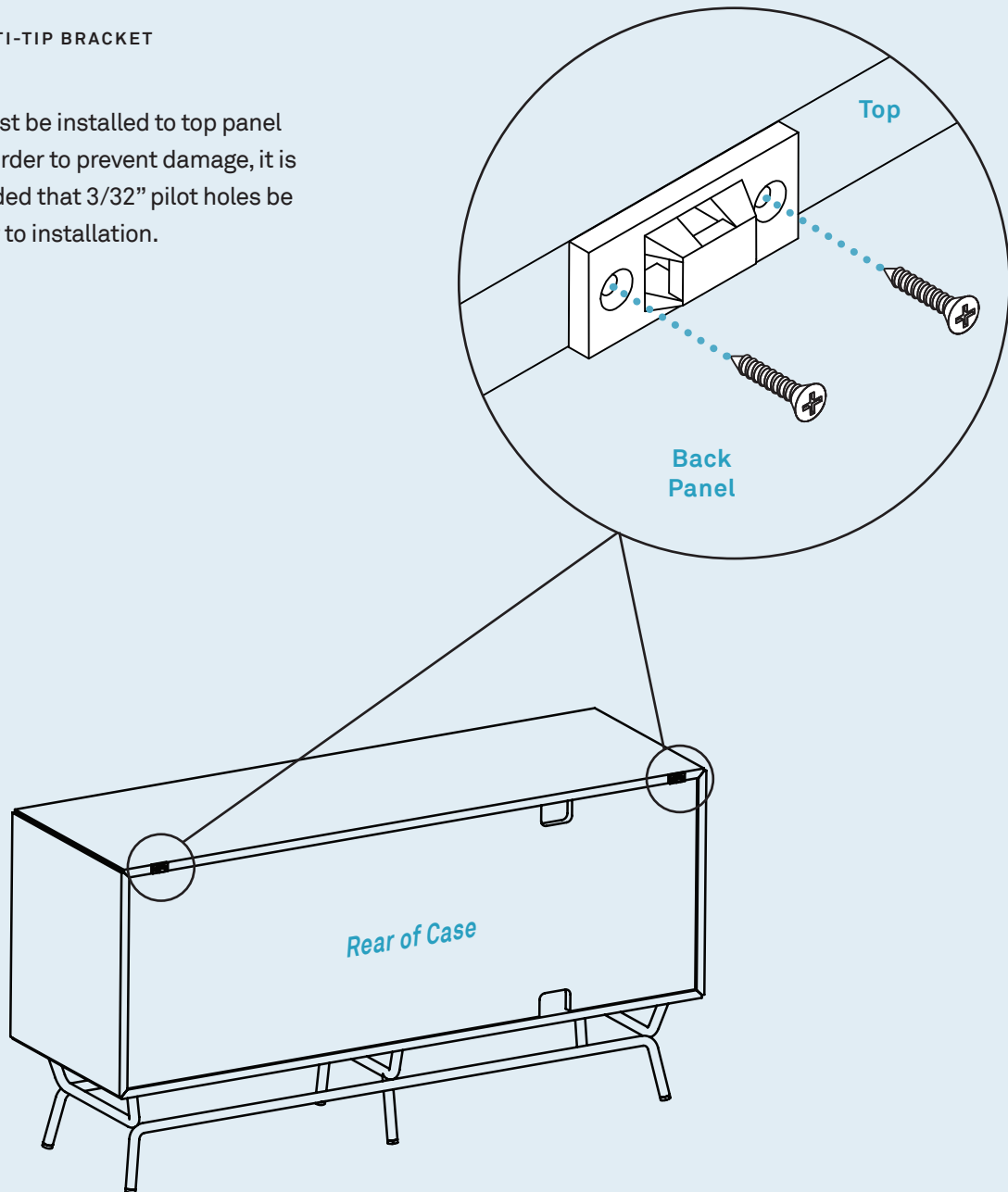


Pt. 1218 x 4

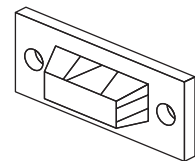
Step 04

INSTALL ANTI-TIP BRACKET TO CASE.

Bracket must be installed to top panel of case. In order to prevent damage, it is recommended that 3/32" pilot holes be drilled prior to installation.



Pt. 1217 x 4

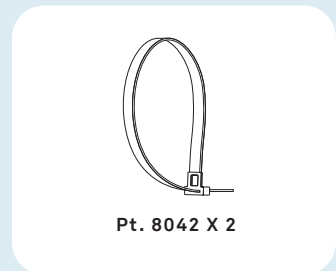
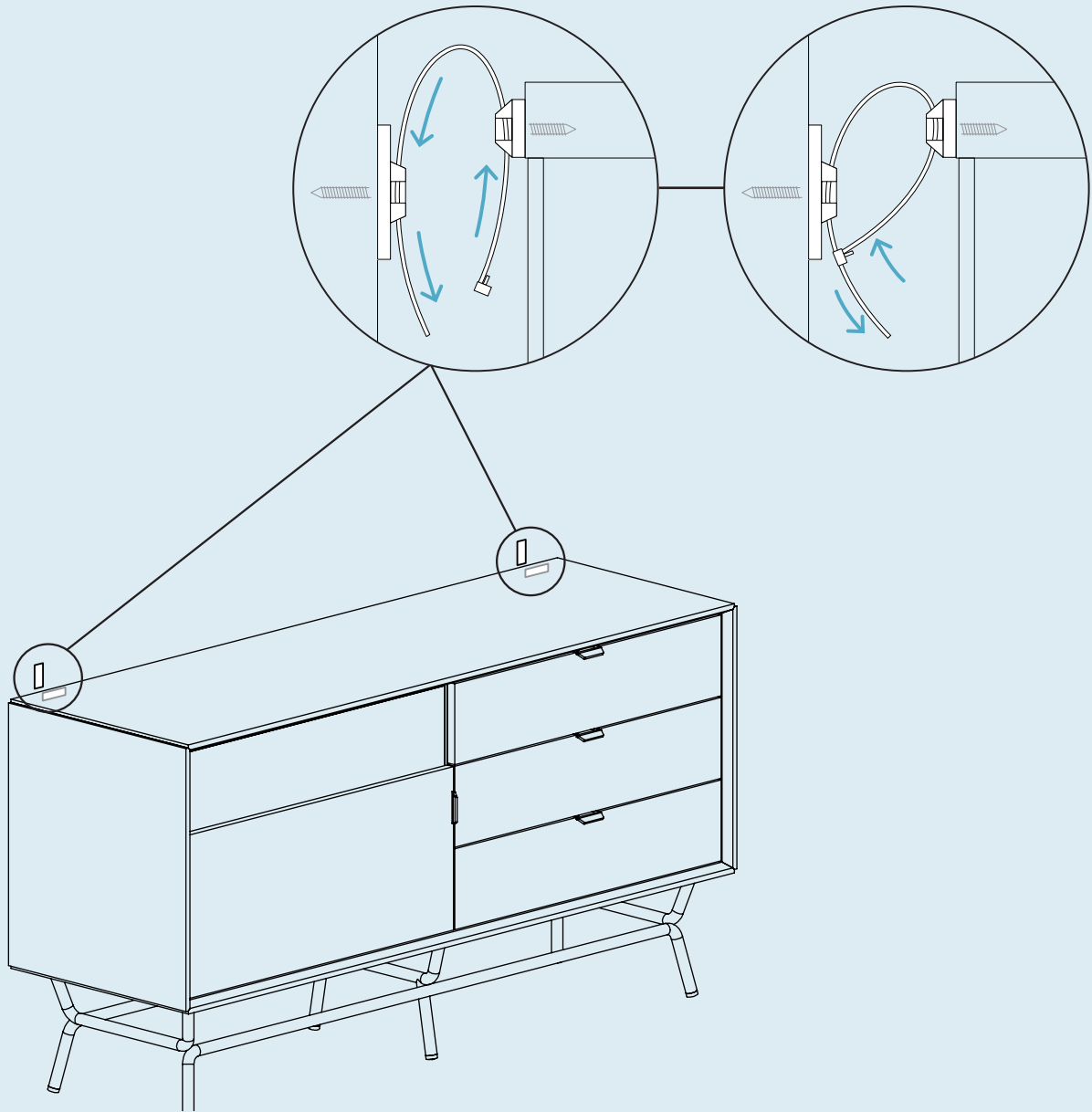


Pt. 8041 x 2

Step 05

SECURE THE CASE.

Install and tighten the strap prior to using the product.



Additional Information

CLEAN

Clean with a slightly damp, soft cloth. To remove dirt and fingerprints, use a quality cleaner formulated for wood furniture. Wipe completely dry with a soft cloth in the direction of the wood grain.

