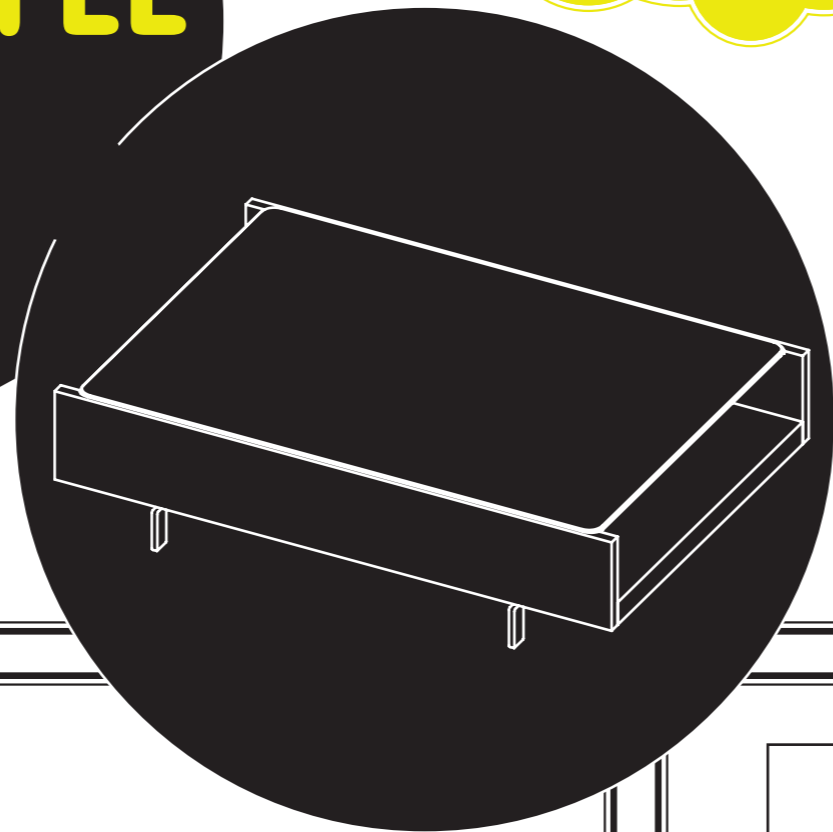
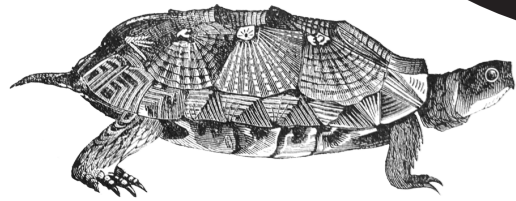


BLU
DOT

CUB COFFEE TABLE

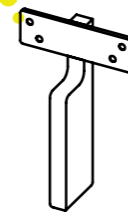
ASSEMBLY NOTES

1, 2, AND YOU'RE
THROUGH!

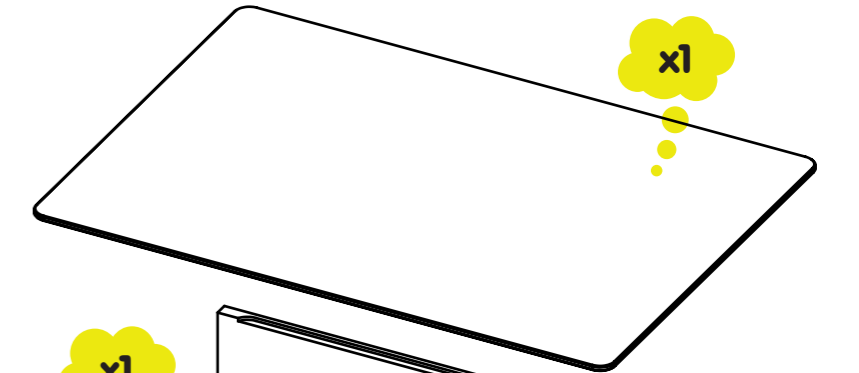


PARTS & HARDWARE

x4

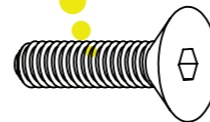


x1

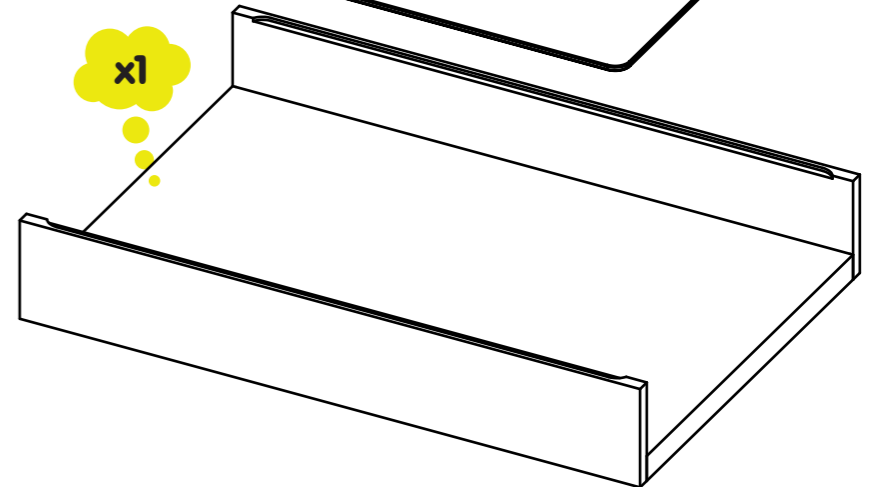


x16

1067

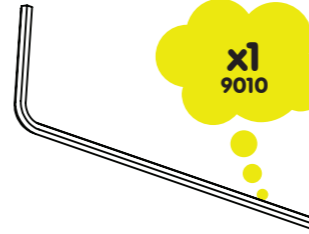


x1

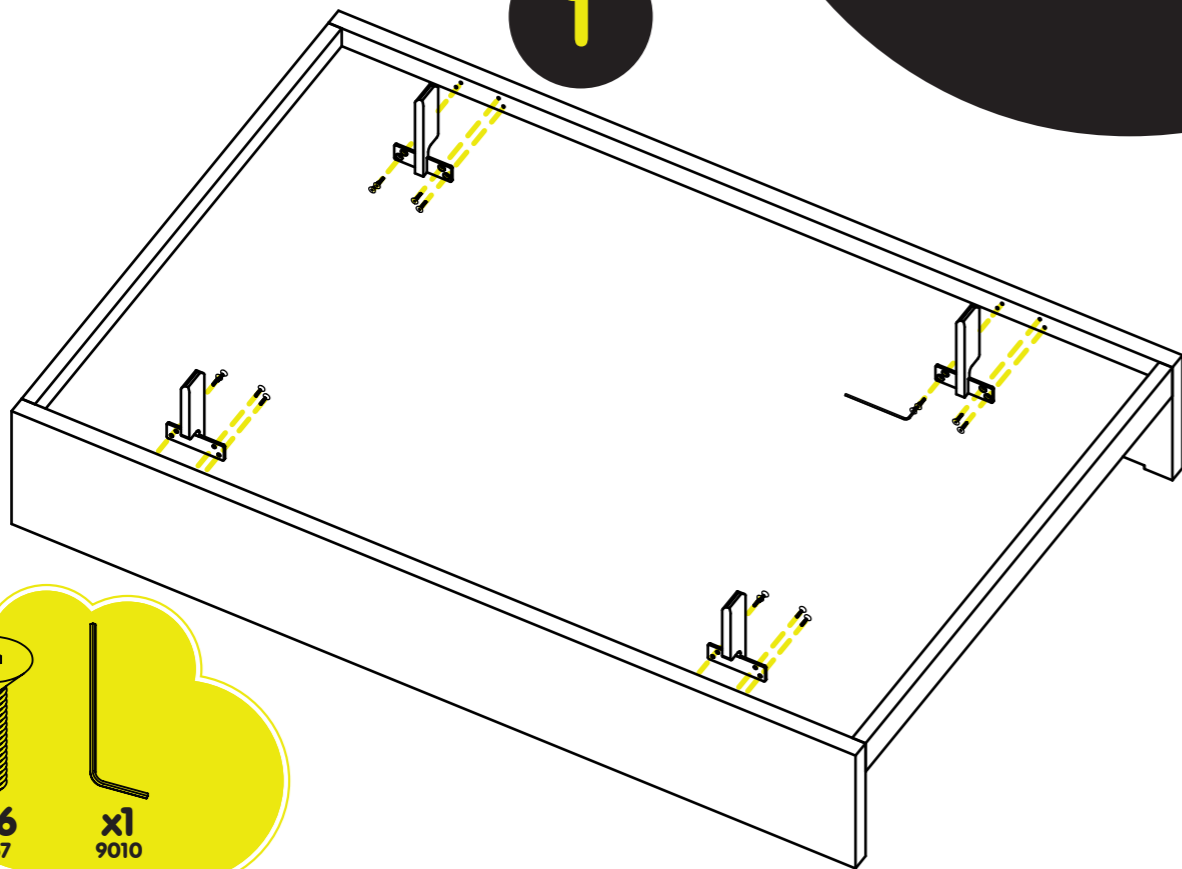


x1

9010



1



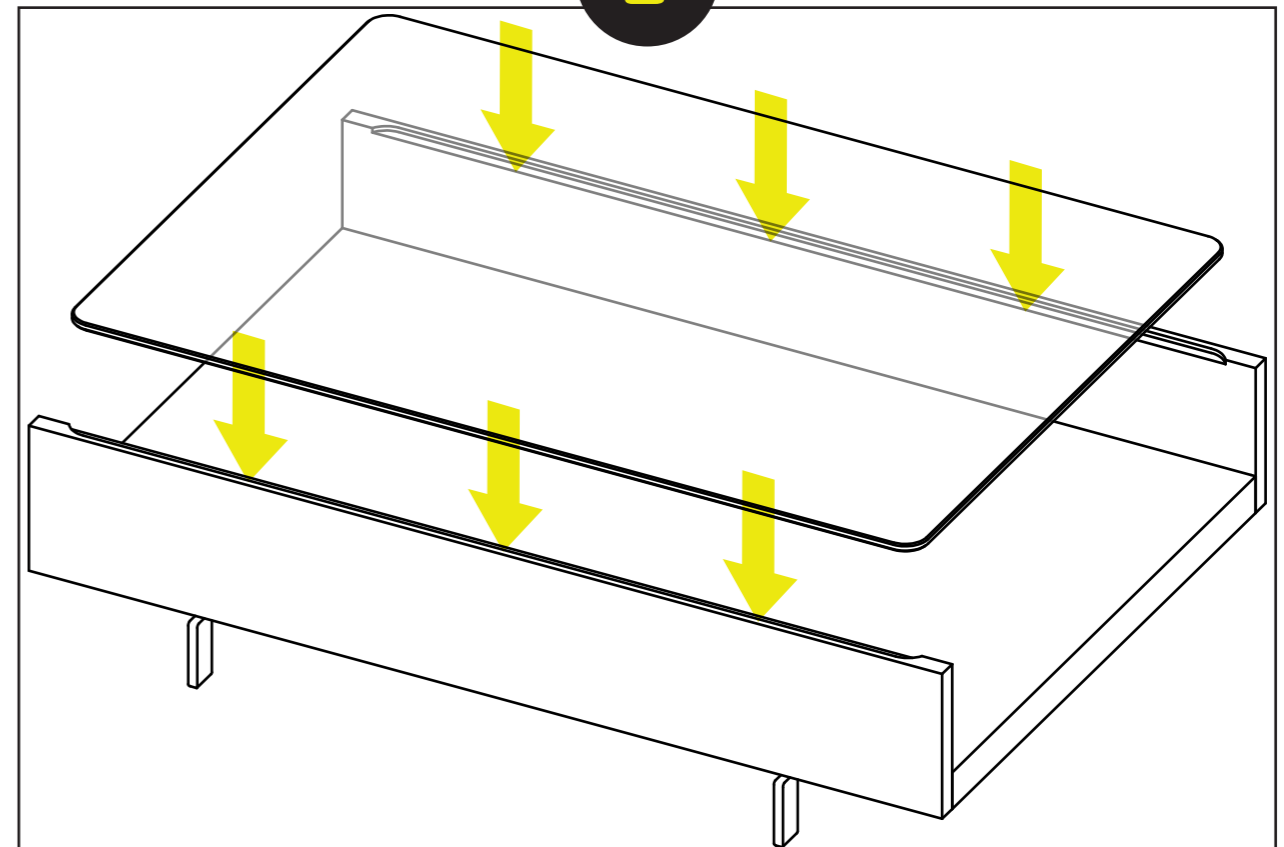
x16

1067

x1

9010

2





FURNITURE CARE

**KEEP IT
CLEAN,
JIMMY!**

WOOD

Clean with a slightly damp, soft cloth. To remove dirt and fingerprints, use a quality cleaner formulated for wood furniture. Wipe completely dry with a soft cloth in the direction of the wood grain.

GLASS

First, remove dirt or debris from surface of glass with a slightly damp, soft cloth. To remove fingerprints or streaks, use a quality glass cleaner formulated for tinted glass surfaces. Don't forget about the underside of the glass, for the perfect clean.

BRASS

Clean with a soft cloth or sponge using a mild detergent, such as dish soap, and warm water. Wipe completely dry with a soft cloth.