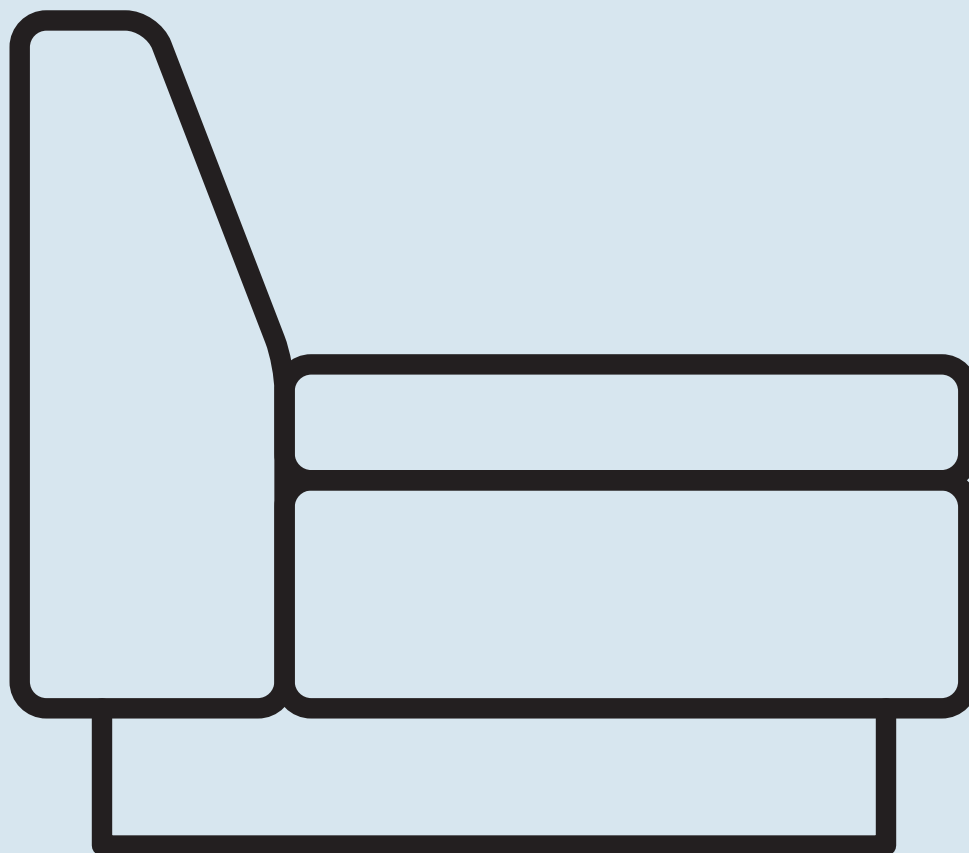
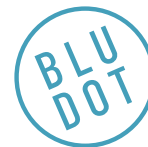


# Clyde Sofa

DESIGNED IN 2006

ASSEMBLY NOTES | REV 00



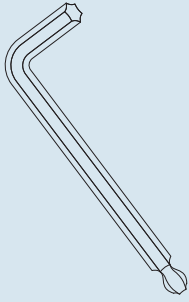
KEEPING IT MEAN, LEAN AND CLEAN.

The Clyde steals the spotlight with charm.

NEED A HAND?

Contact us at [service@bludot.com](mailto:service@bludot.com) or  
**844.425.8368** for assistance.

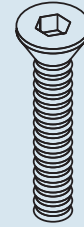
# Parts & Hardware



QTY

1

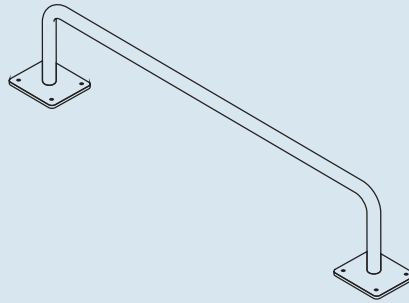
Pt. 9015



QTY

16

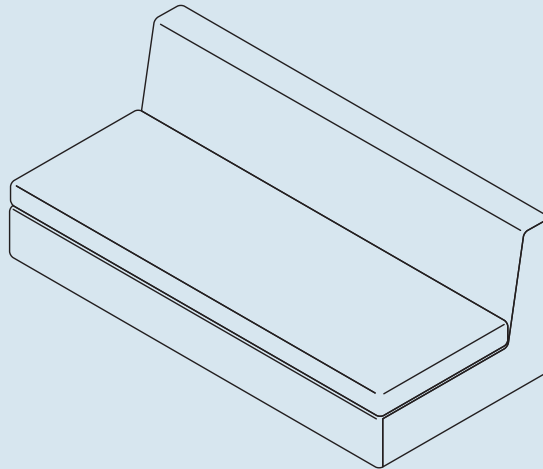
Pt. 1073



QTY

2

Legs



QTY

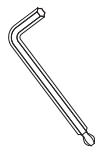
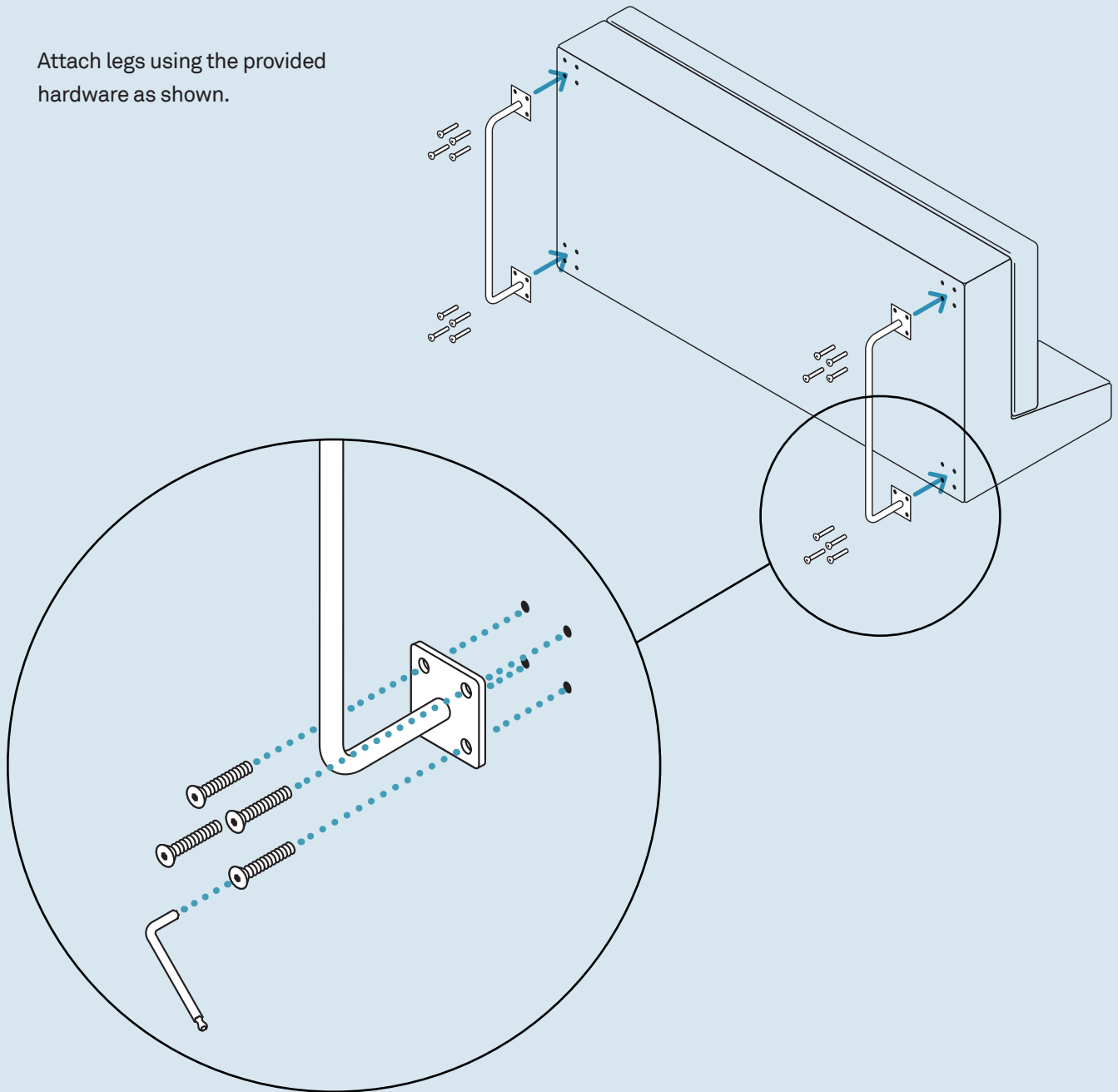
1

Sofa

# Step 01

## ATTACH THE LEGS.

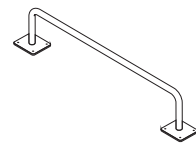
Attach legs using the provided hardware as shown.



Pt. 9015 x 1



PT. 1073 x 16



Leg x 1

## Additional Information

### **CLEAN**

Vacuum your upholstery regularly.

### **SPILLS**

Act quickly with spills. Absorb the spill with a clean white cloth or paper towel. Never rub the surface. Do not use water or other liquids to clean, as they may stain the fabric. Consult a commercial cleaning specialist for removal of stubborn stains.

### **AVOID**

Keep upholstery & felt furniture out of direct sunlight and away from heat sources; excessive exposure to sunlight may fade the color of the upholstery. Avoid placing heavy or sharp objects on the furniture surface for long periods of time; this can cause permanent indentations in the fabric. For snags in the fabric, tuck loose threads into fabric or carefully push to reverse side. Never pull out or cut off loose threads.

