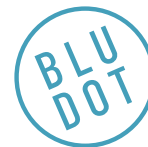


# Clad Collection

DESIGNED IN 2016

ASSEMBLY NOTES | REV 00



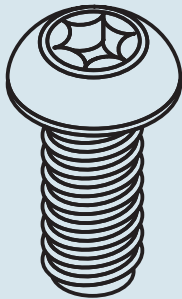
## GOTCHA COVERED.

Sometimes we fall hard for a good mix of materials. Like beautiful, warm wood meeting the cool, smooth toughness of steel.

## NEED A HAND?

Contact us at [service@bludot.com](mailto:service@bludot.com) or **844.425.8368** for assistance.

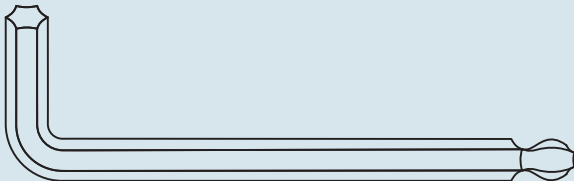
# Parts & Hardware



QTY

12

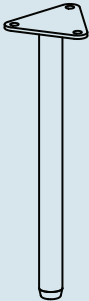
Pt. 1082



QTY

1

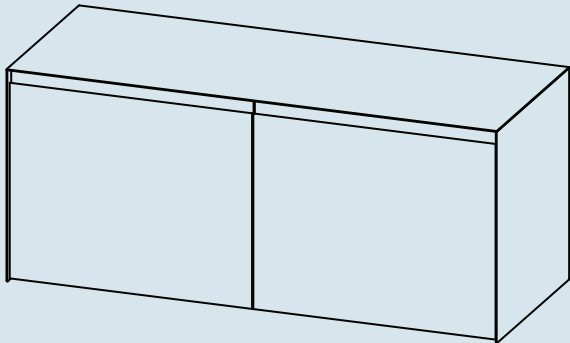
Pt. 9021



QTY

4

Leg



QTY

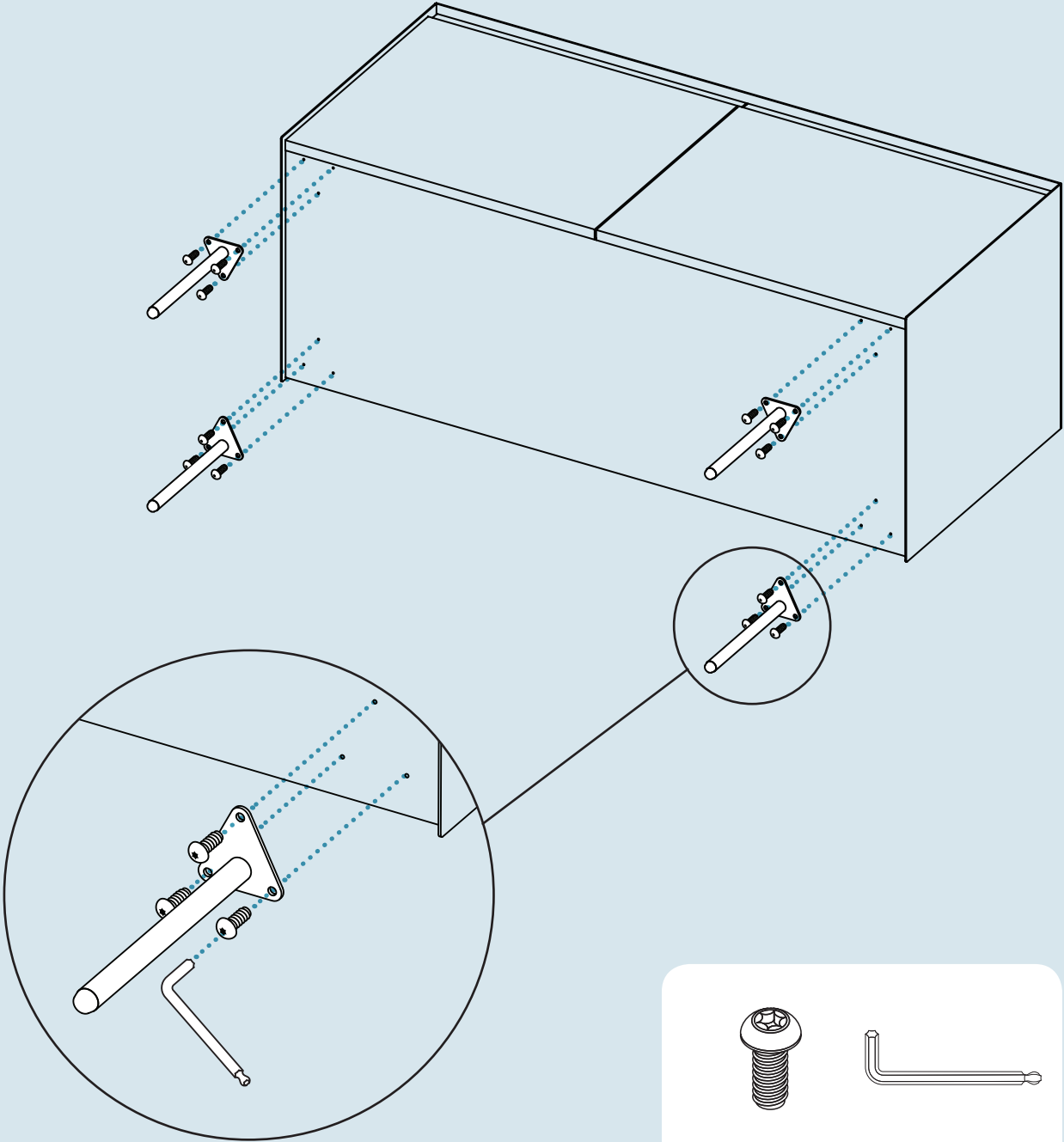
1

Case

# Step 01

## ATTACH LEGS.

Leg Attachment. Once the legs have been attached, the case should be lifted and brought upright in order to prevent leg damage.

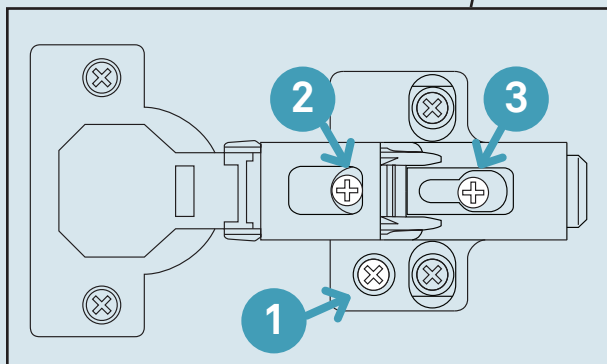
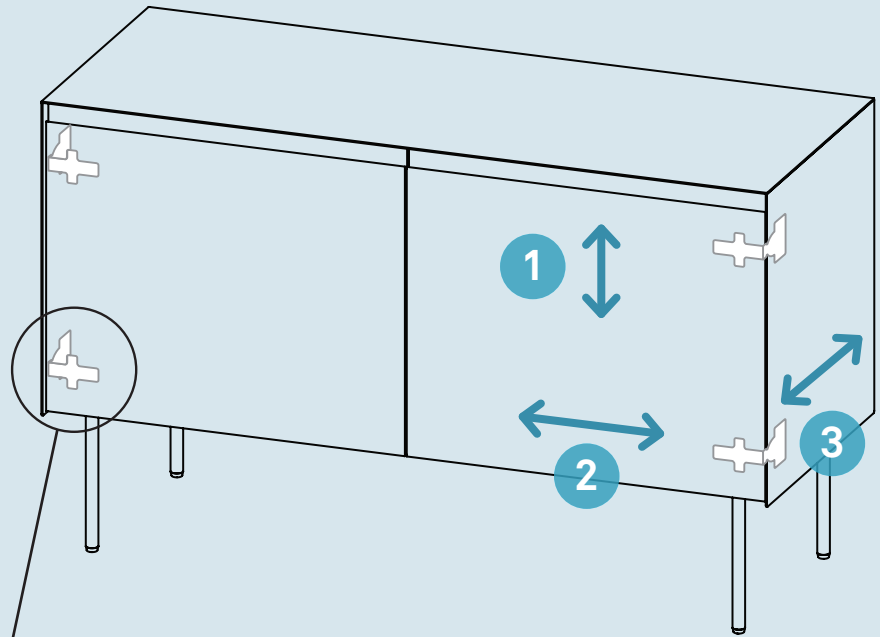


Pt. 1082      Pt. 9021

## Step 02

### DOOR ADJUSTMENT.

Hinges work in pairs. If you adjust one hinge, chances are you will have to adjust all the hinges.



If door needs adjustment from TOP TO BOTTOM, Use Screw #1.

If door needs adjustment from SIDE TO SIDE, Use Screw #2.

If door needs adjustment from FRONT TO BACK, Use Screw #3.

## Additional Information

### CLEAN

Clean with a slightly damp, soft cloth. To remove dirt and fingerprints, use a quality cleaner formulated for wood furniture. Wipe completely dry with a soft cloth in the direction of the wood grain.

