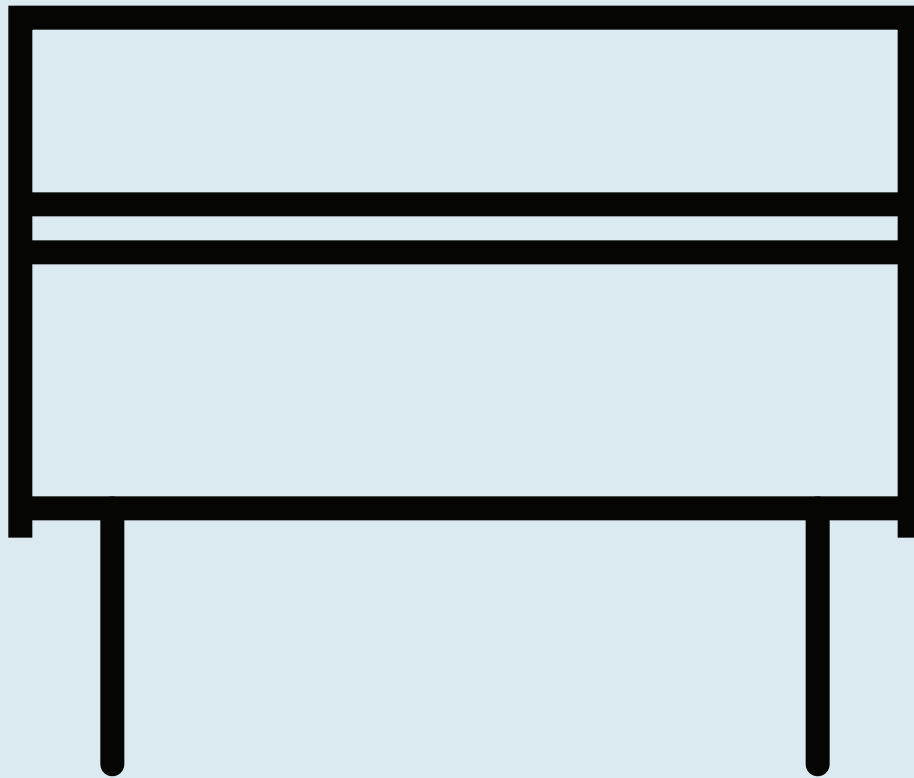


Clad Collection

DESIGNED IN 2016

ASSEMBLY NOTES | REV 01



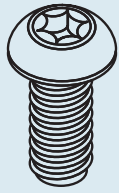
GOTCHA COVERED.

Sometimes we fall hard for a good mix of materials. Like beautiful, warm wood meeting the cool, smooth toughness of steel.

NEED A HAND?

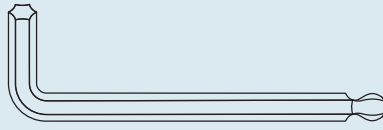
Contact us at service@bludot.com or **844.425.8368** for assistance.

Parts & Hardware



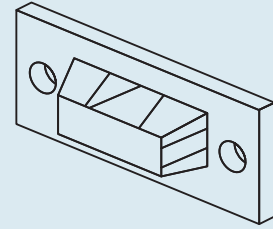
QTY 12

Pt. 1082



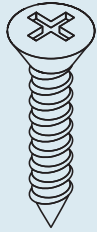
QTY 1

Pt. 9021



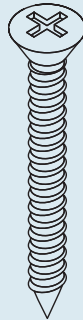
QTY 2

Pt. 8041



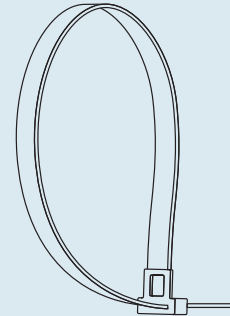
QTY 2

Pt. 1217



QTY 2

Pt. 1218



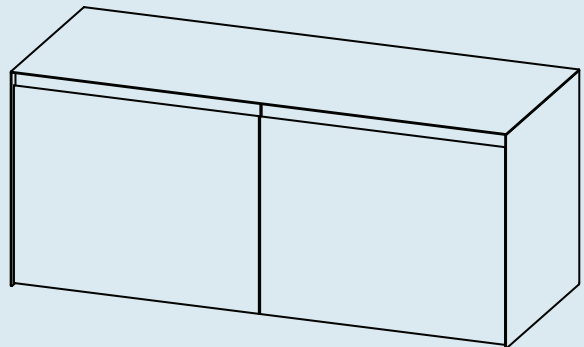
QTY 1

Pt. 8042



QTY 4

Leg



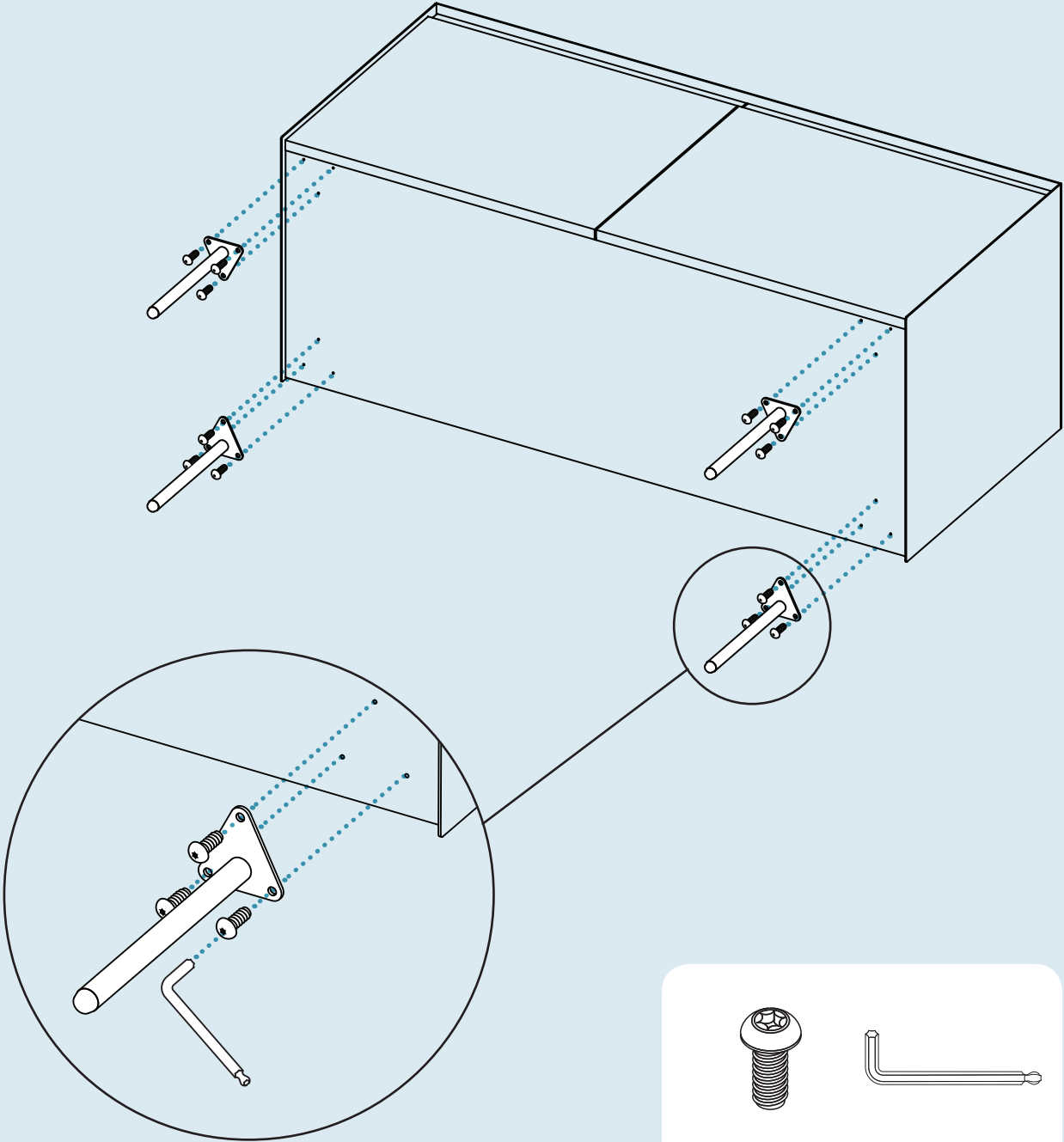
QTY 1

Case

Step 01

ATTACH THE LEGS.

After the legs have been attached, have a second person help lift and bring the case upright in order to prevent leg damage.

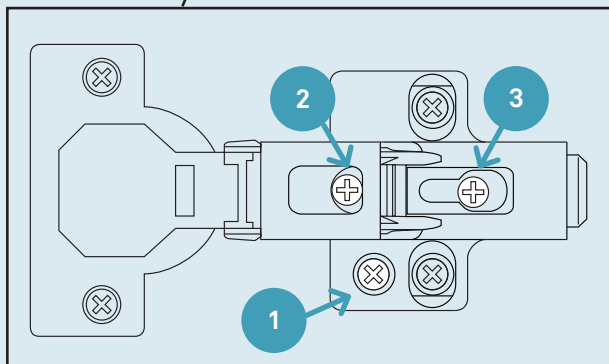
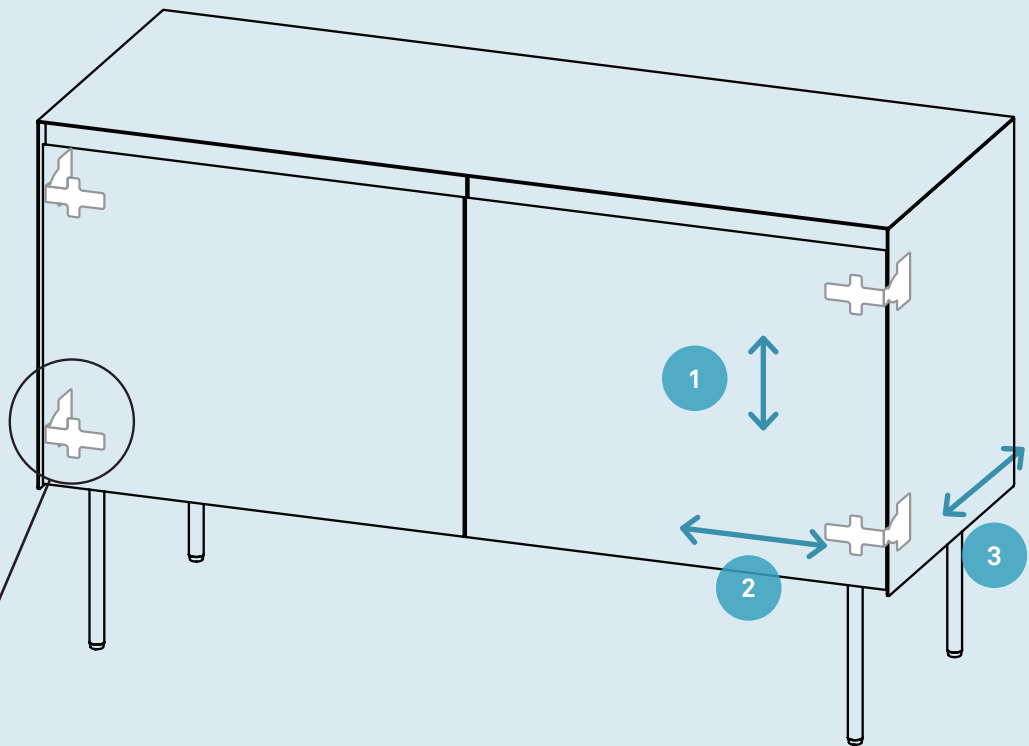


Pt. 1082 x 12 Pt. 9021 x 1

Step 02

DOOR ADJUSTMENT.

Hinges work in pairs. If you adjust one hinge, chances are you will have to adjust all the hinges.



If door needs adjustment from TOP TO BOTTOM, Use Screw #1.

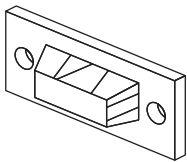
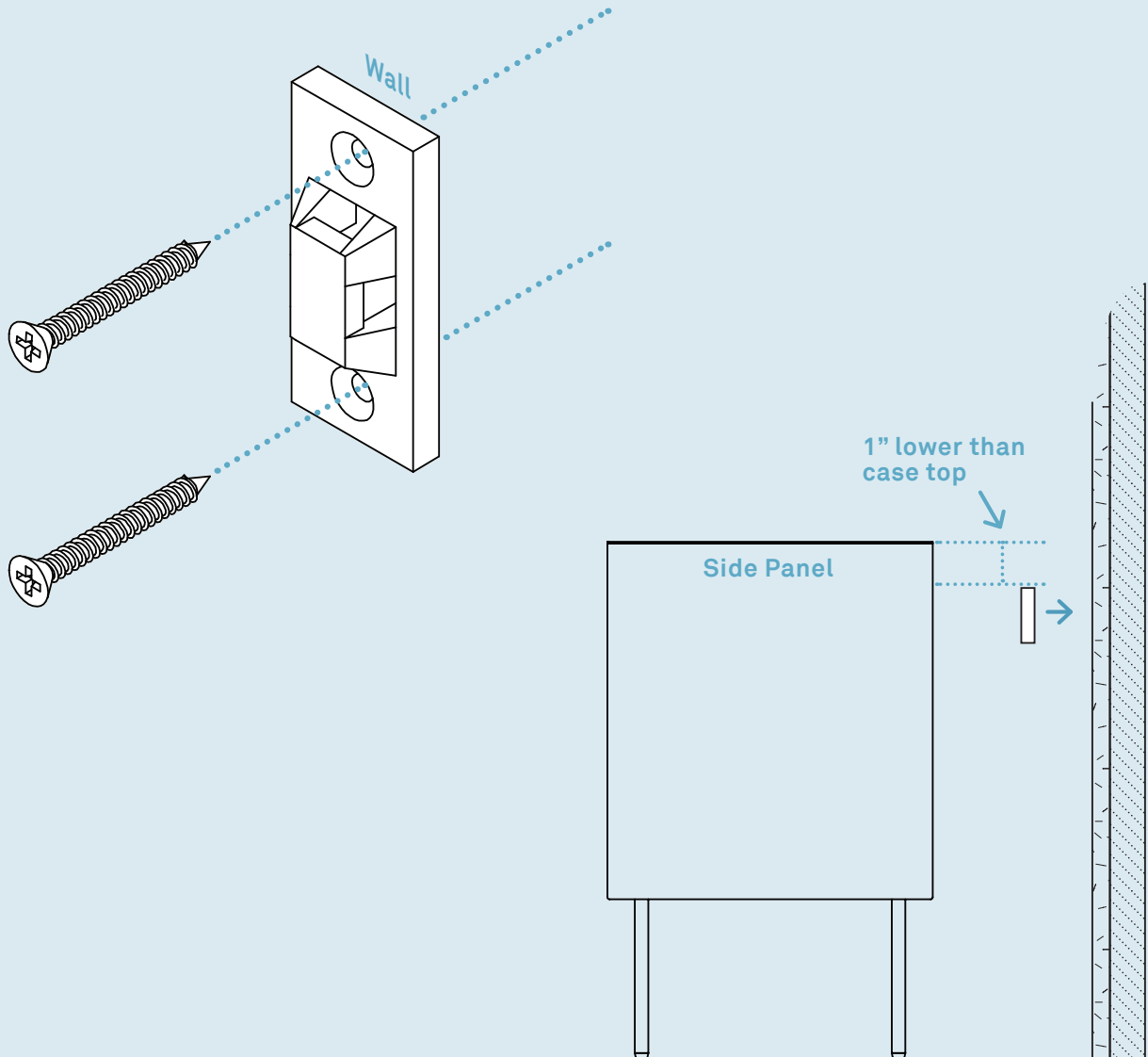
If door needs adjustment from SIDE TO SIDE, Use Screw #2.

If door needs adjustment from FRONT TO BACK, Use Screw #3.

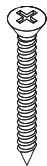
Step 03

ATTACH ANTI-TIP BRACKET TO THE WALL.

Install anti-tip bracket to wall stud 1-inch below case top panel height.



Pt. 8041 x 1

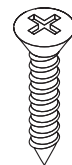
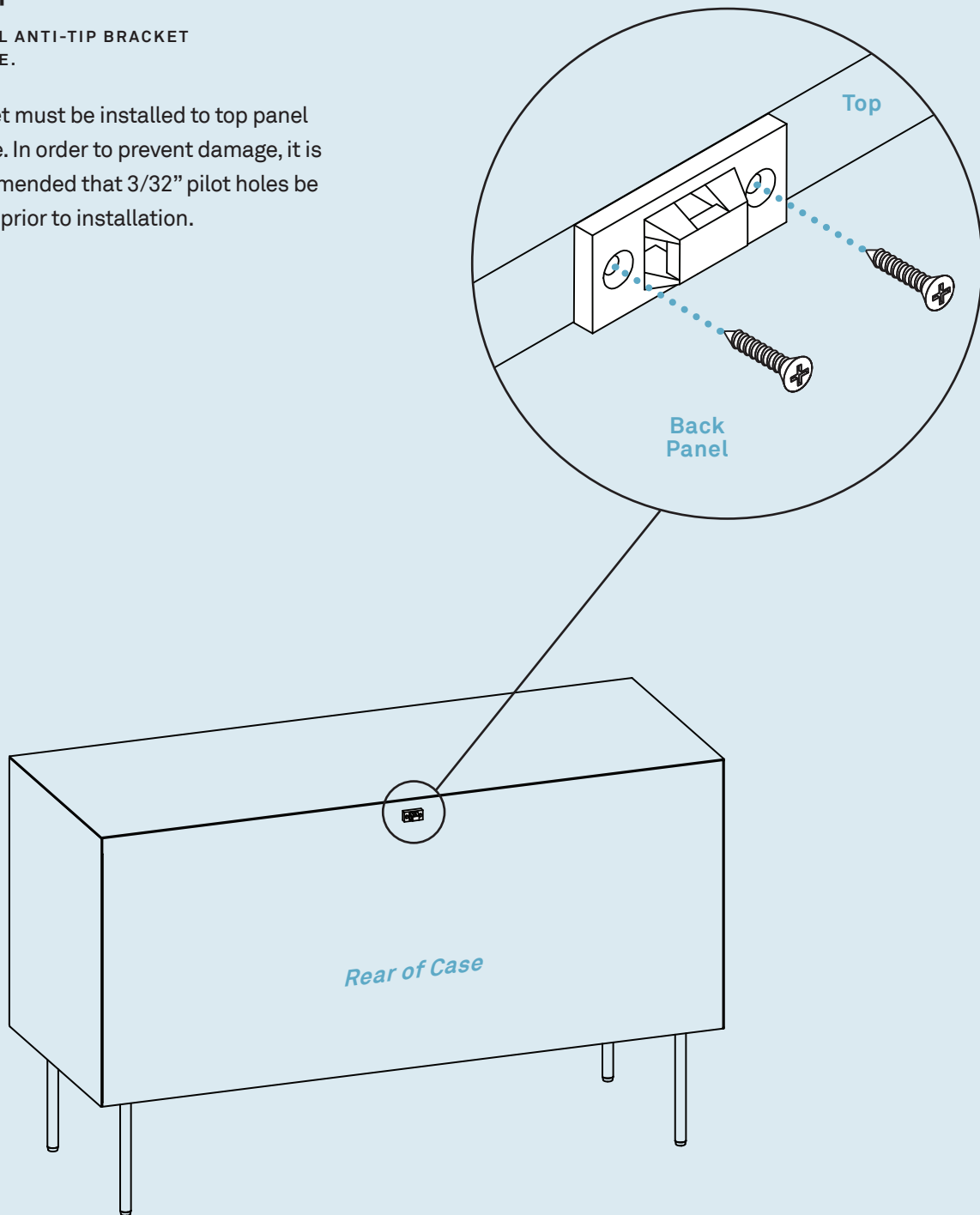


Pt. 1218 x 2

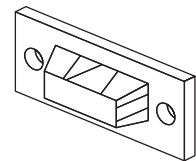
Step 04

INSTALL ANTI-TIP BRACKET TO CASE.

Bracket must be installed to top panel of case. In order to prevent damage, it is recommended that 3/32" pilot holes be drilled prior to installation.



Pt. 1217 x 2

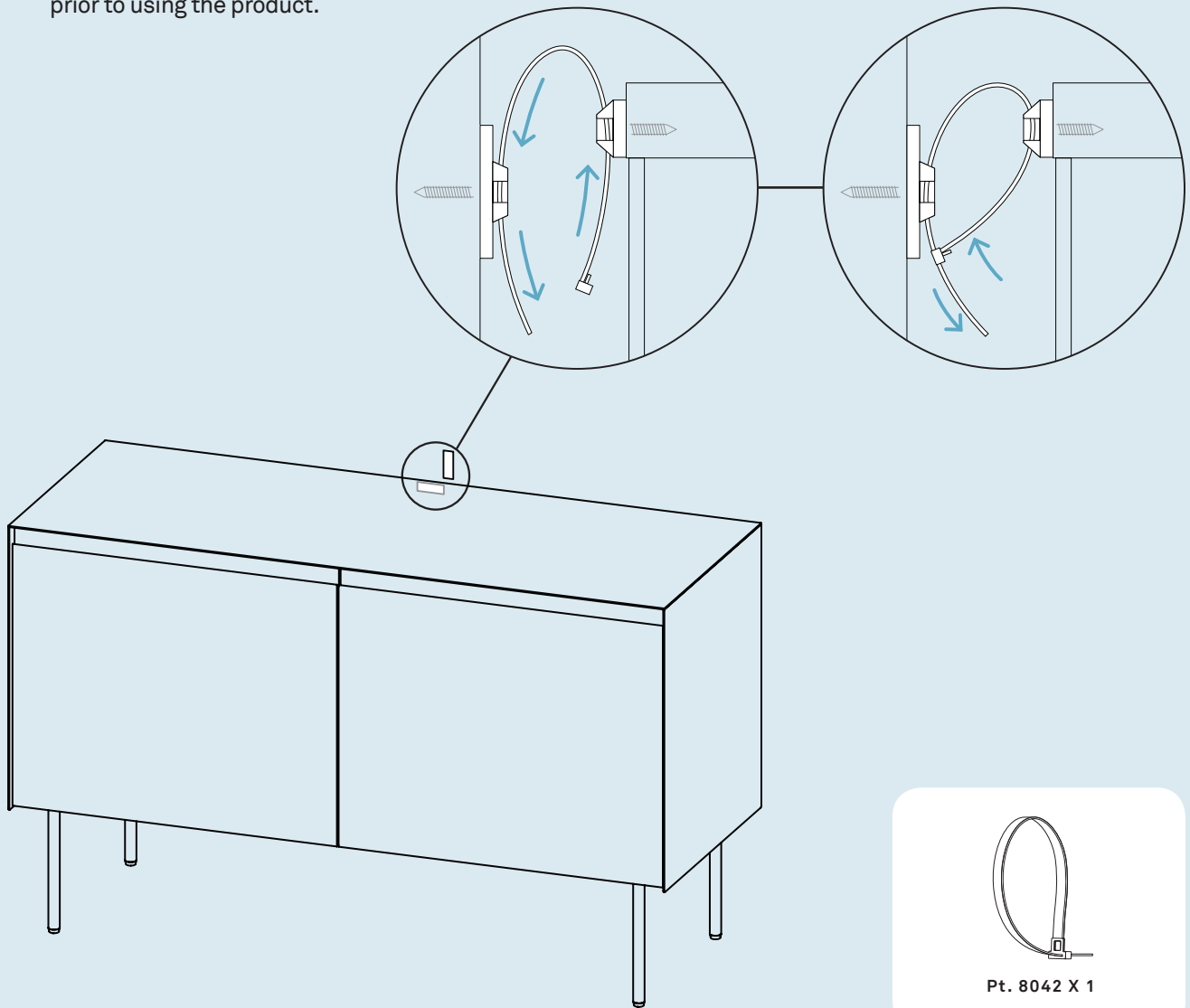


Pt. 8041 x 1

Step 05

SECURE THE CASE.

Install and tighten the strap prior to using the product.



Additional Information

CLEAN

Clean with a slightly damp, soft cloth. To remove dirt and fingerprints, use a quality cleaner formulated for wood furniture. Wipe completely dry with a soft cloth in the direction of the wood grain.

