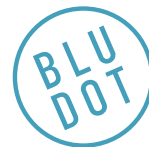
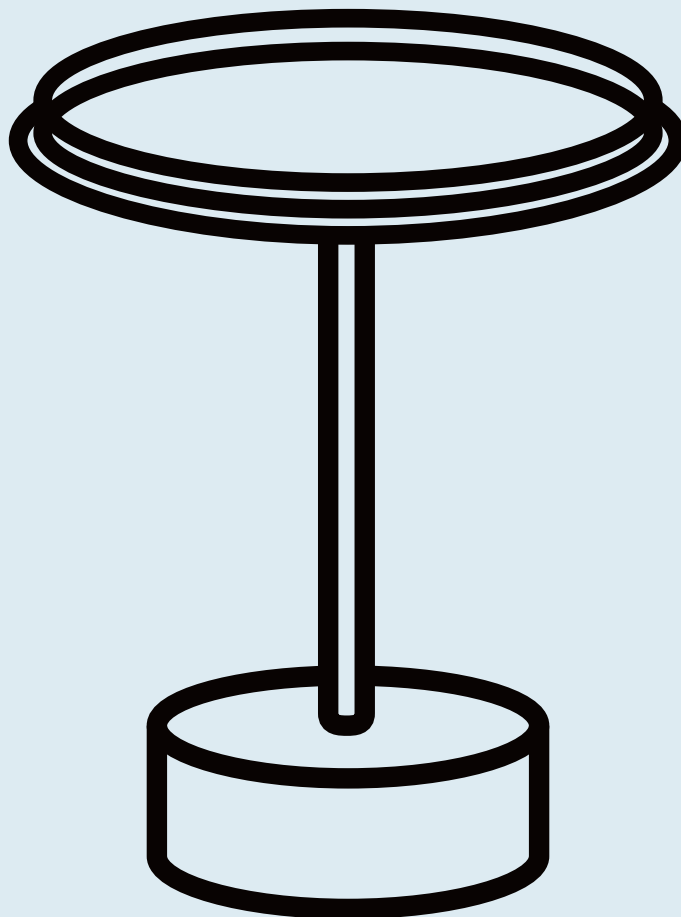


Chit Chat Side Table



DESIGNED IN 2021

ASSEMBLY NOTES | REV 00



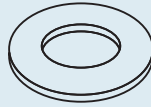
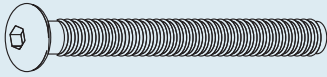
NEED A HAND?

Contact us at service@bludot.com or
844.425.8368 for assistance.

@BLUDOT

We design all our pieces in our Minneapolis studio. Follow
along on Instagram for some sneak peeks into the process.

Parts & Hardware



QTY 1

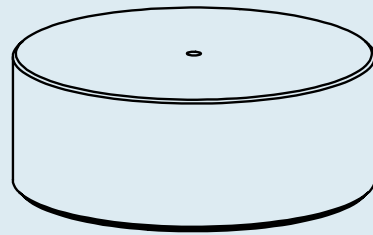
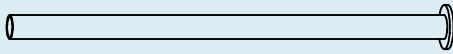
QTY 1

QTY 1

PT. 1702

PT. 3007

PT. 9001

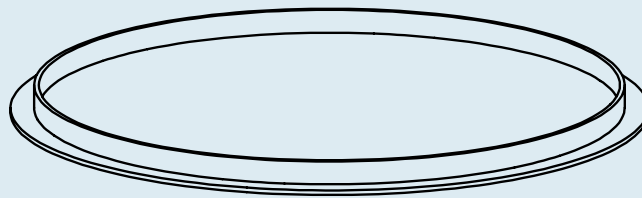


QTY 1

QTY 1

Stem

Base



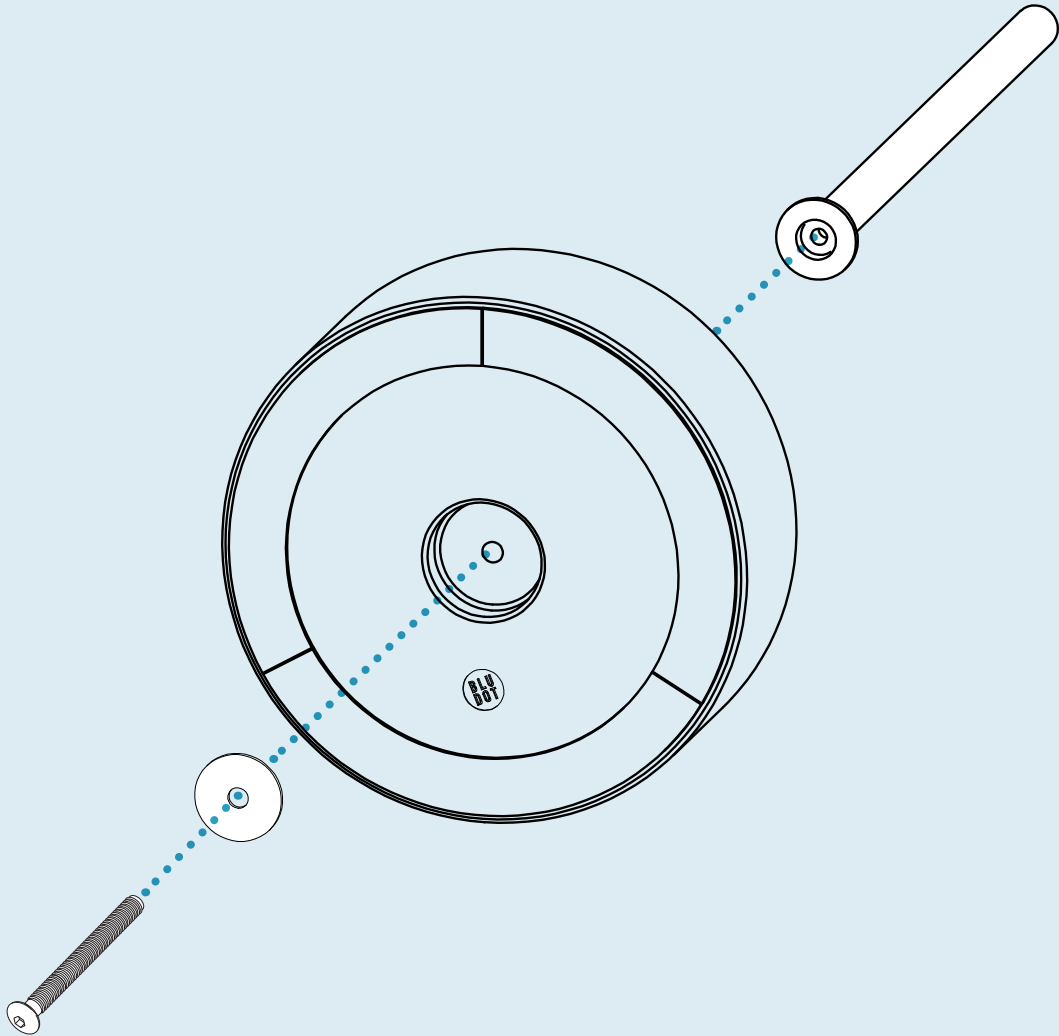
QTY 1




Top

Step 01

ATTACH STEM TO BASE

Attach the stem to the base using the provided hardware as shown.



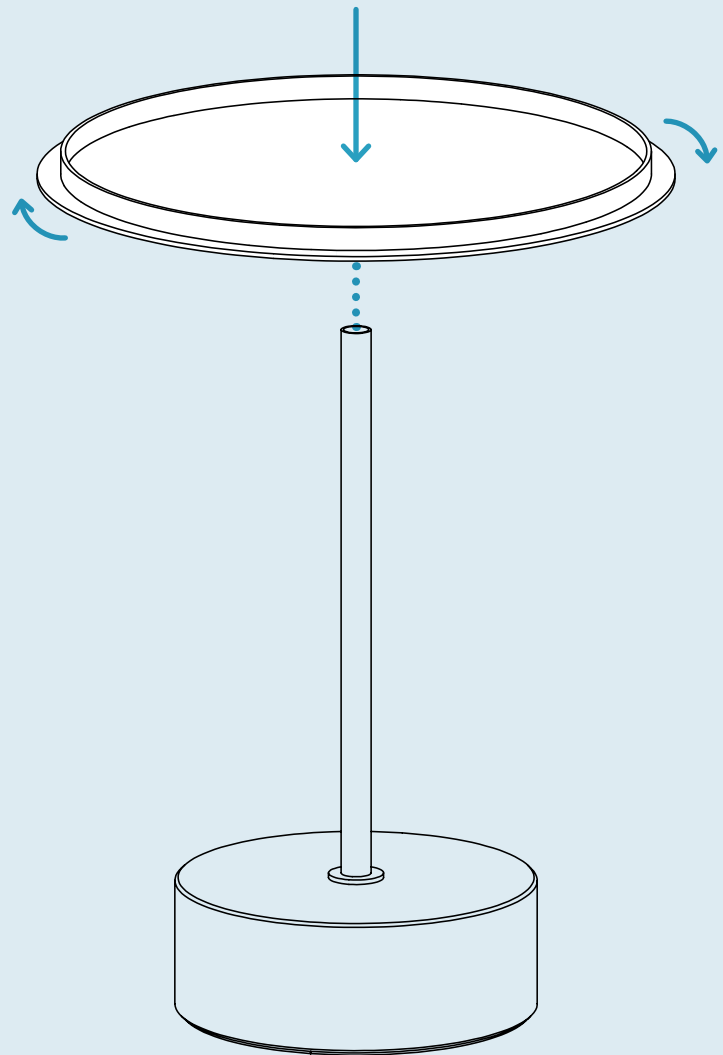
		
PT. 1702 x 1	PT. 3007 x 1	PT. 9001 x 1

Step 02

ATTACH TOP

Attach the top to the stem by aligning the threads and rotating it into place as shown.

Periodically re-tighten connections as needed.



CLEAN METAL

Clean with a slightly damp, soft cloth. To remove dirt and fingerprints, use a quality cleaner formulated for metal furniture. Wipe completely dry with a soft cloth.

CLEAN MARBLE

Clean with a dry soft cloth or sponge.

