

BLU  
DOT

# CHICAGO

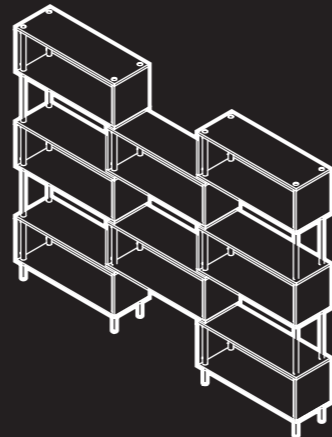
8 BOX

## ASSEMBLY NOTES

Clean with a slightly damp, soft cloth. To remove dirt and fingerprints, use a quality cleaner formulated for wood furniture. Wipe completely dry with a soft cloth in the direction of the wood grain.

CARE

EASIER THAN  
ASTROPHYSICS



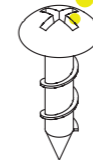
### ANTI-TIP HARDWARE

x2  
8043



CONSULT YOUR  
LOCAL HARDWARE  
PROFESSIONAL TO  
DETERMINE THE  
HARDWARE BEST  
SUITED FOR YOUR  
TYPE OF WALL..

x2  
1201



x4  
3009

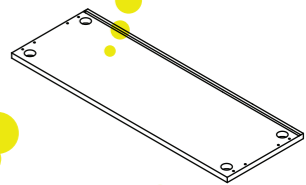


not  
included

### PARTS & HARDWARE

x16

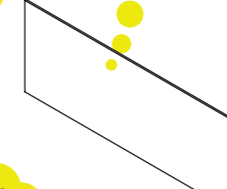
x4



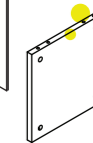
x8  
8002



x8



x16



x4

x64  
5001



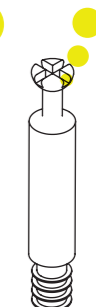
x32  
8001



x32  
5005



x64  
5002



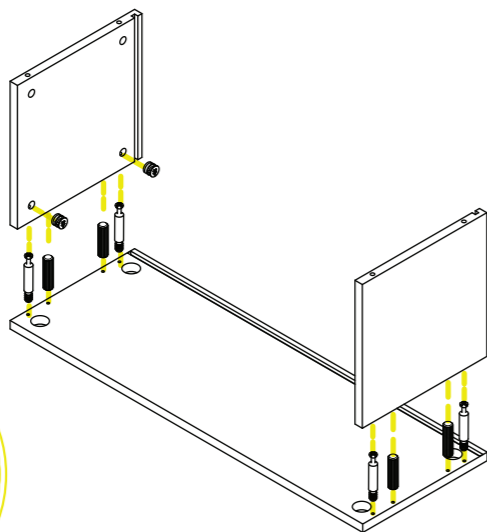
x64  
1001



1

x8

See Page 2:  
How To Use Cam  
Lock Hardware



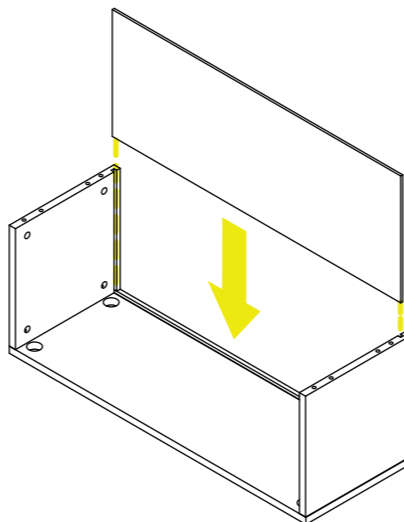
x32  
5001

x32  
5005

x32  
5002

2

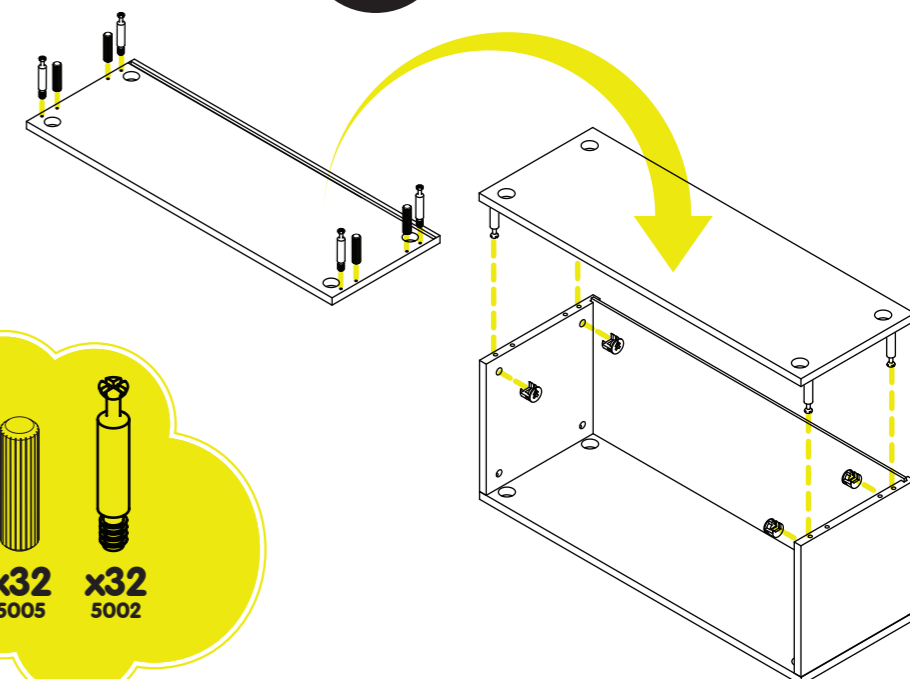
x8



Remember to use the  
buddy system:  
assembling Chicago  
takes two.

3

x8

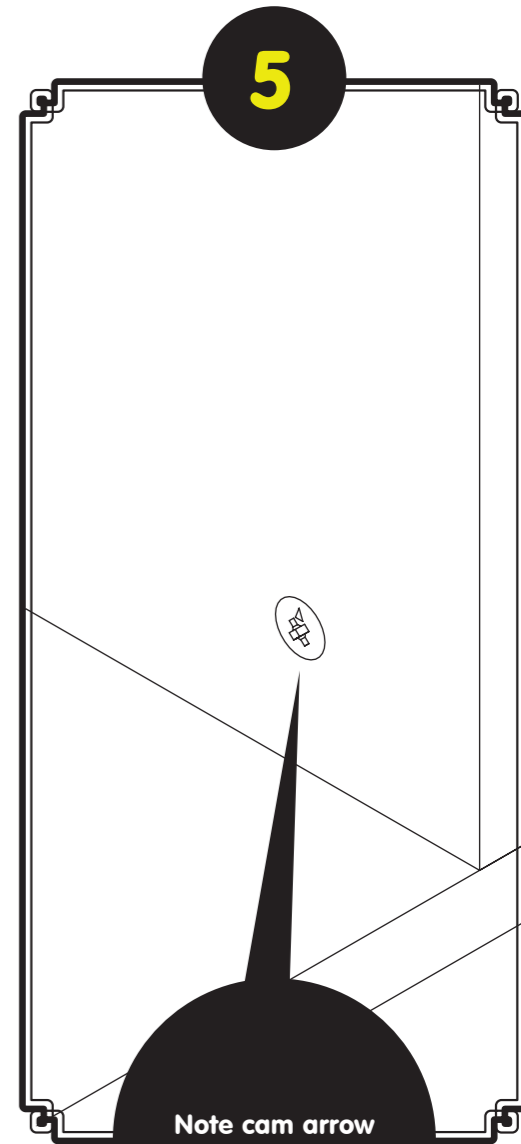
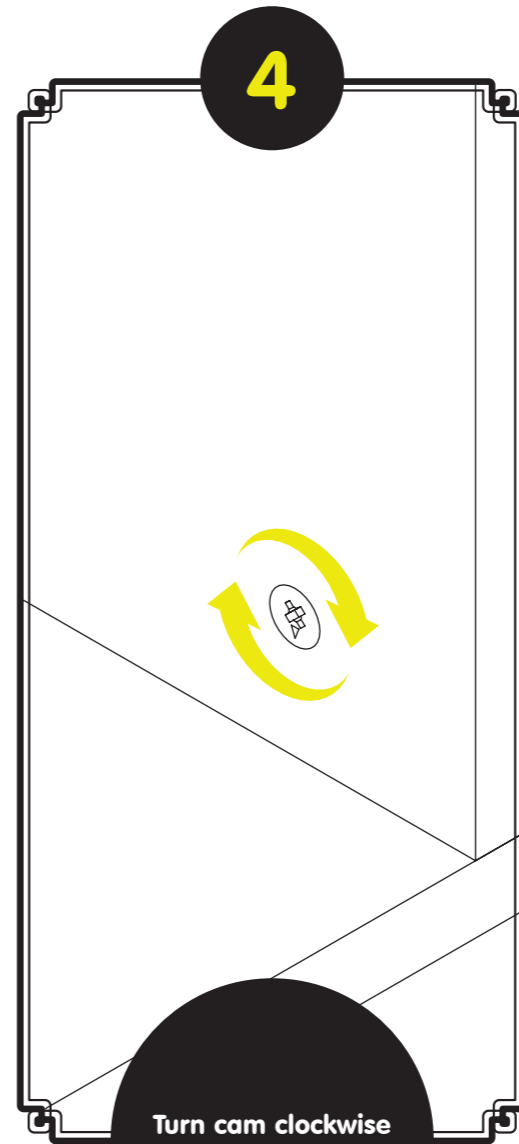
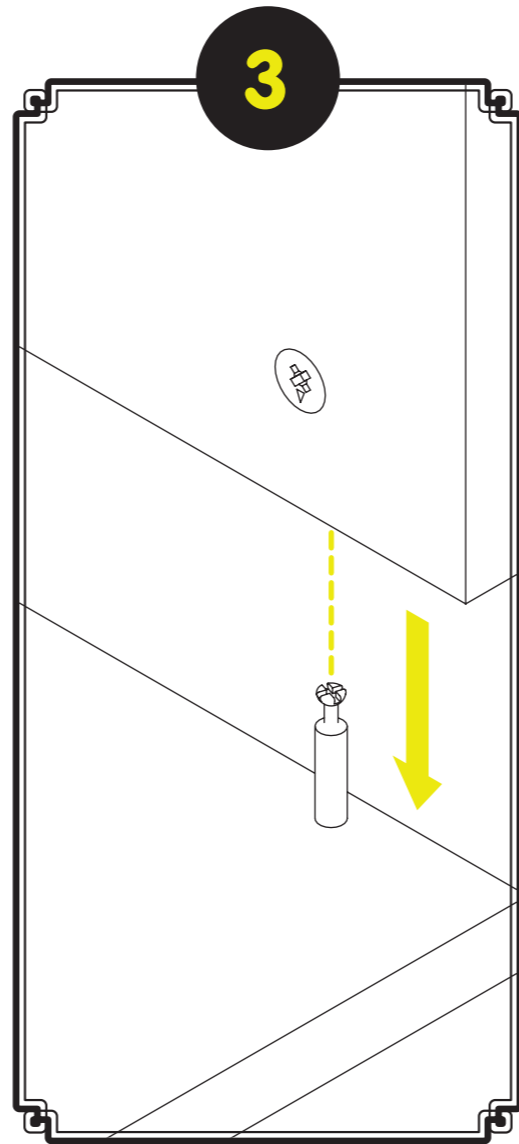
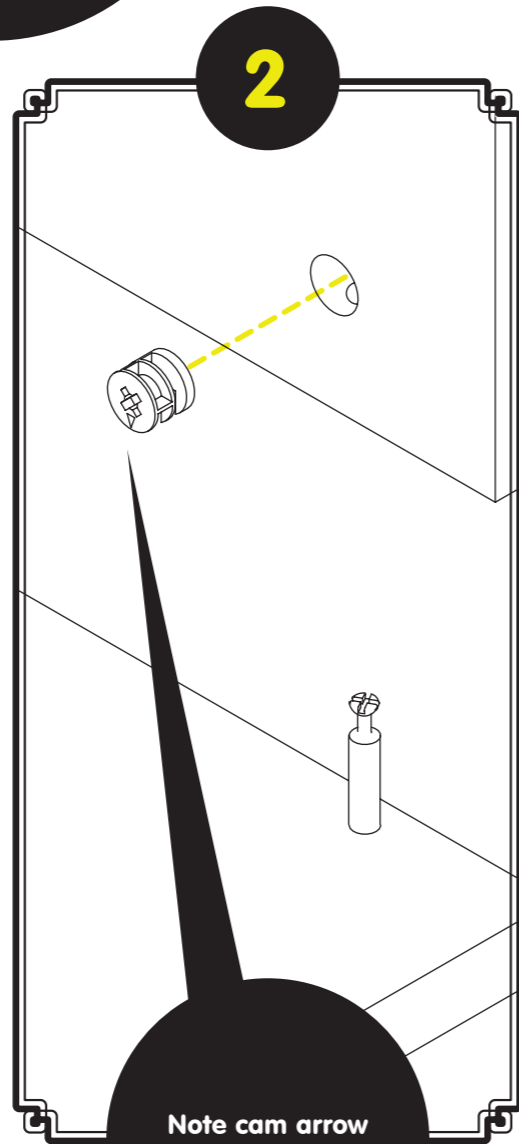
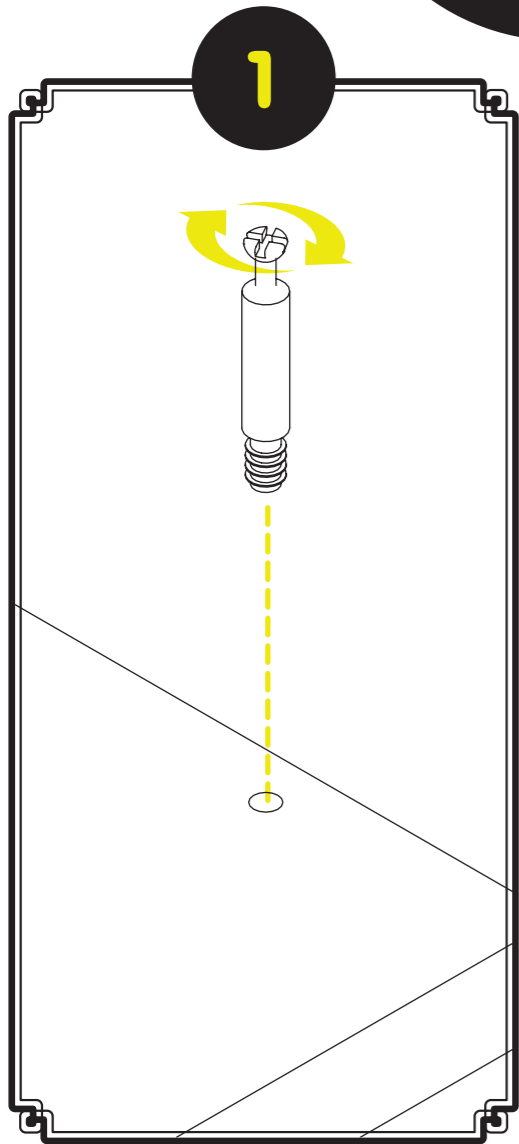


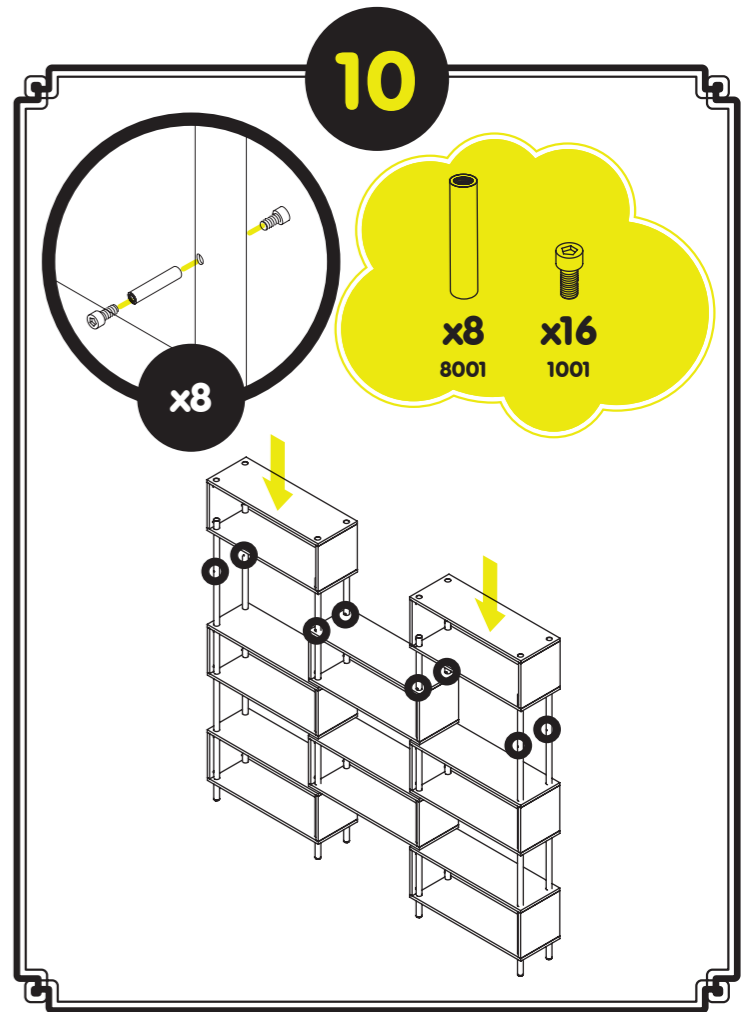
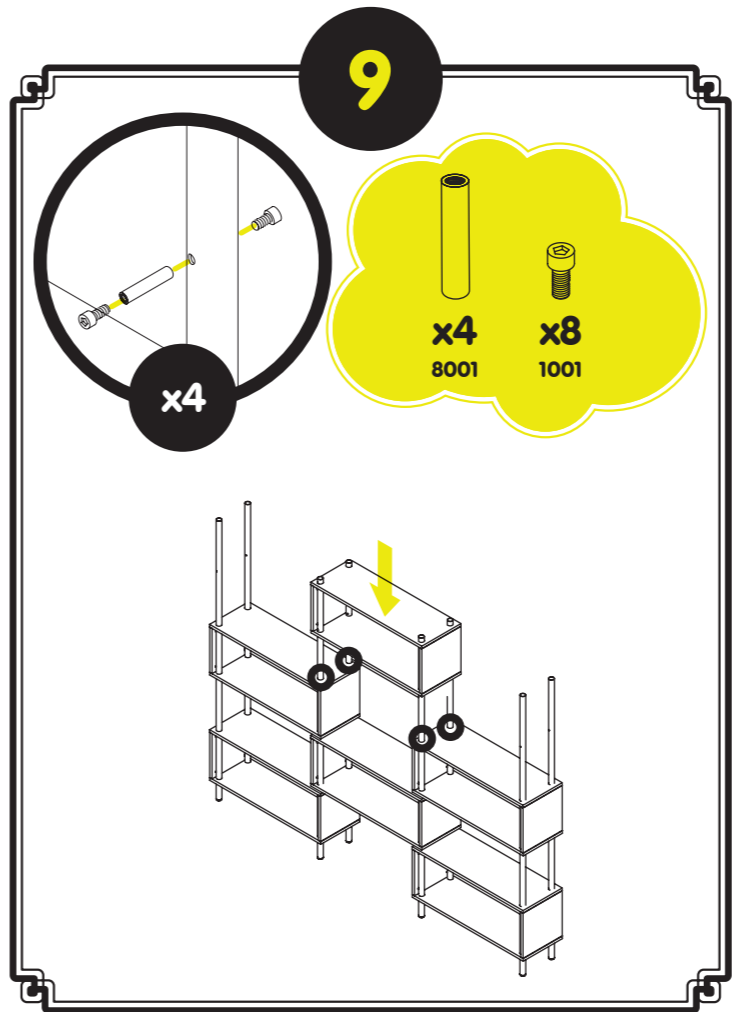
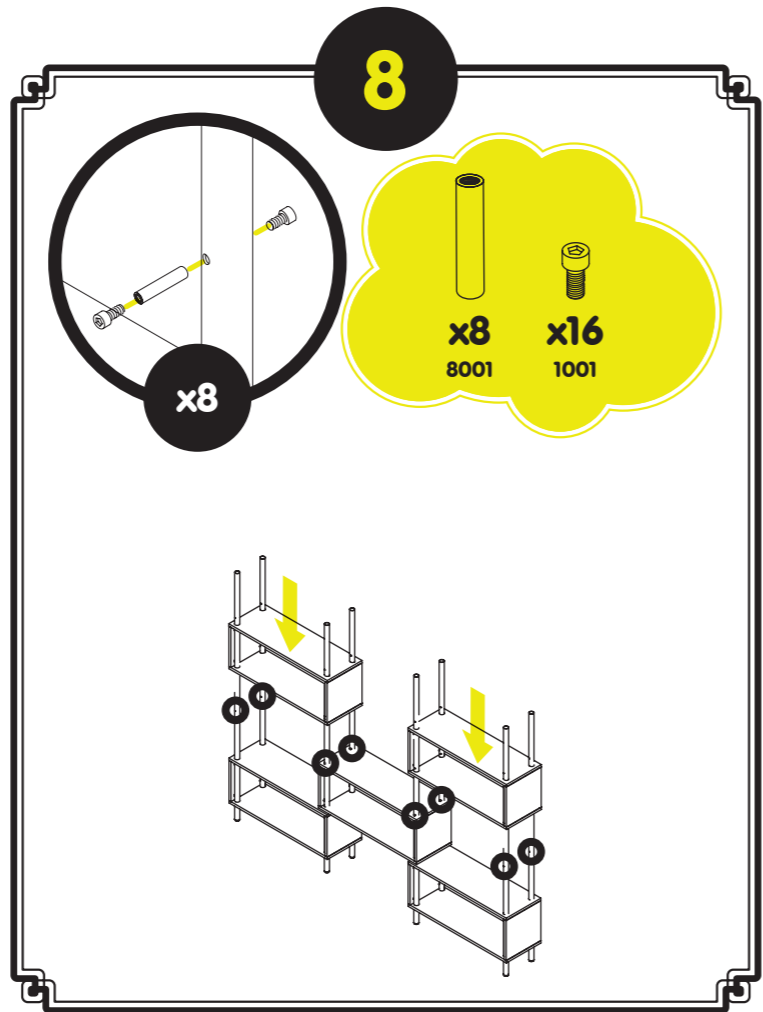
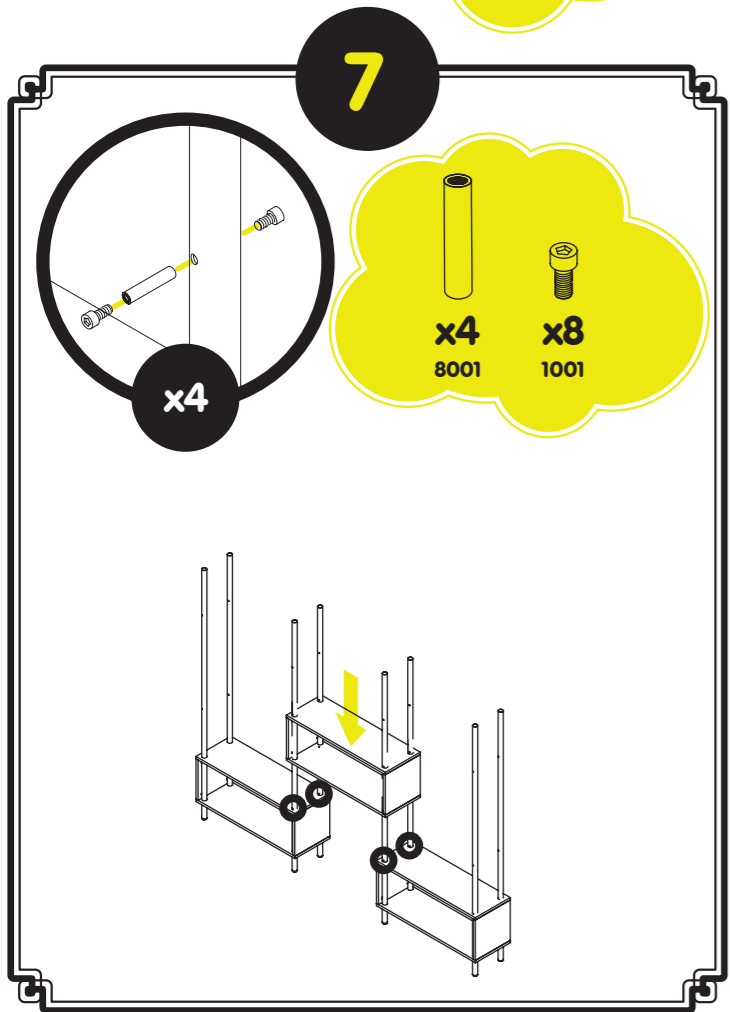
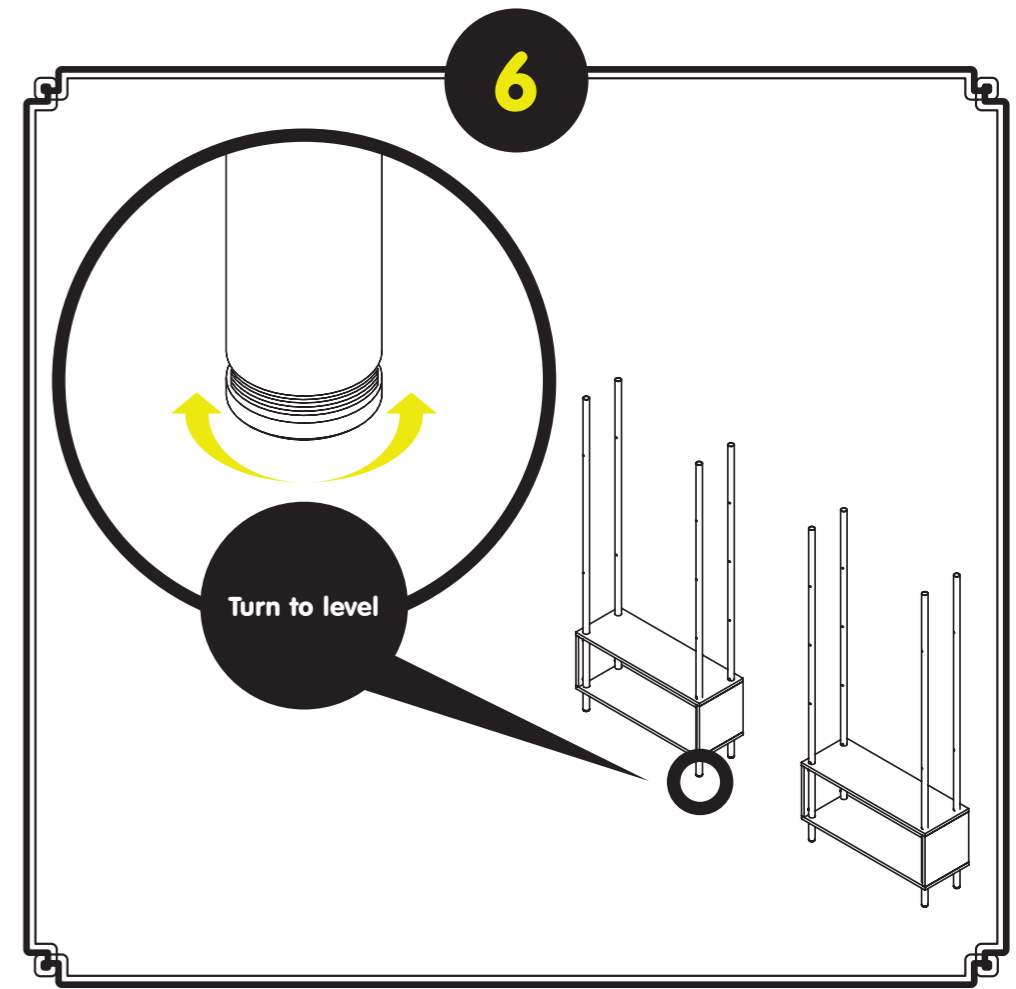
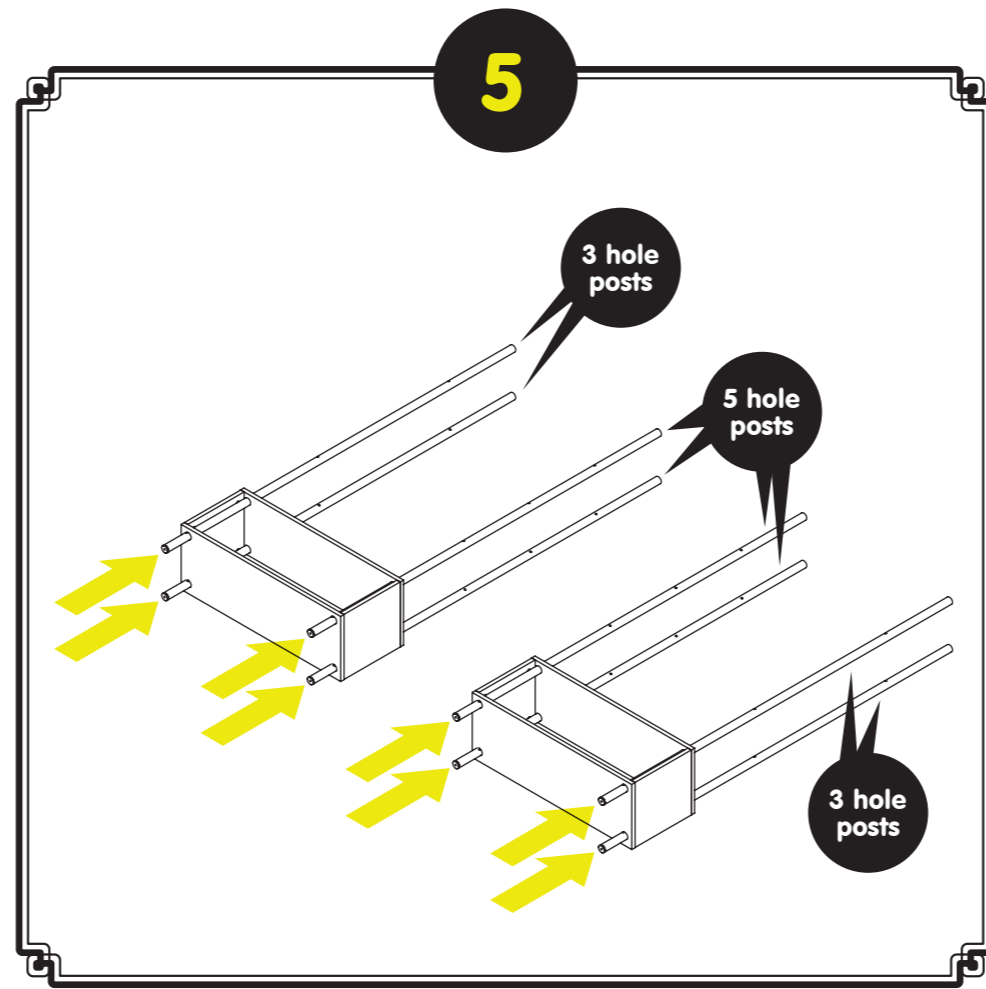
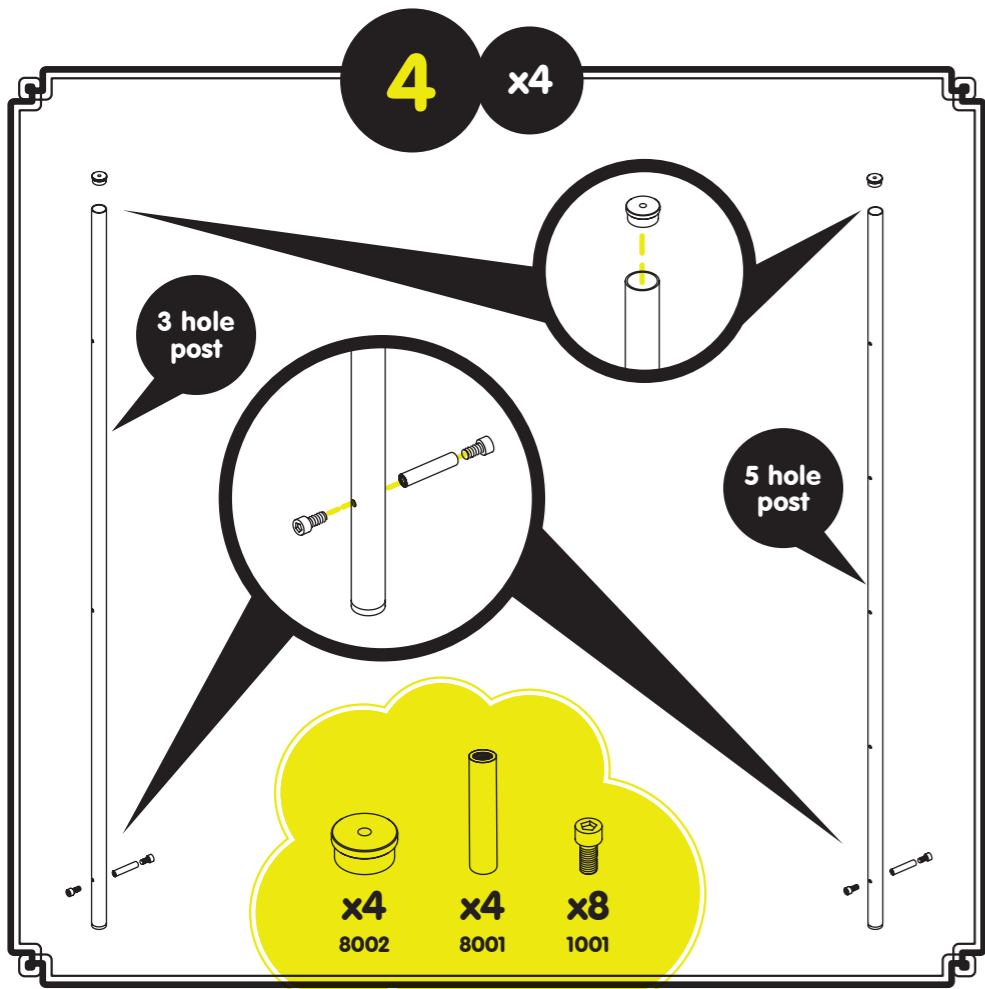
x32  
5001

x32  
5005

x32  
5002

HOW TO USE CAM  
LOCK HARDWARE





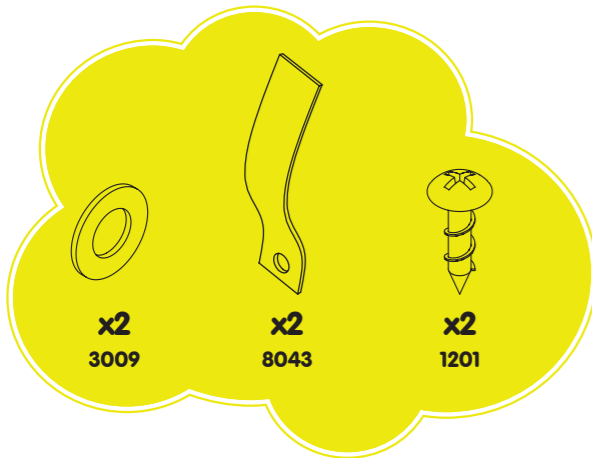
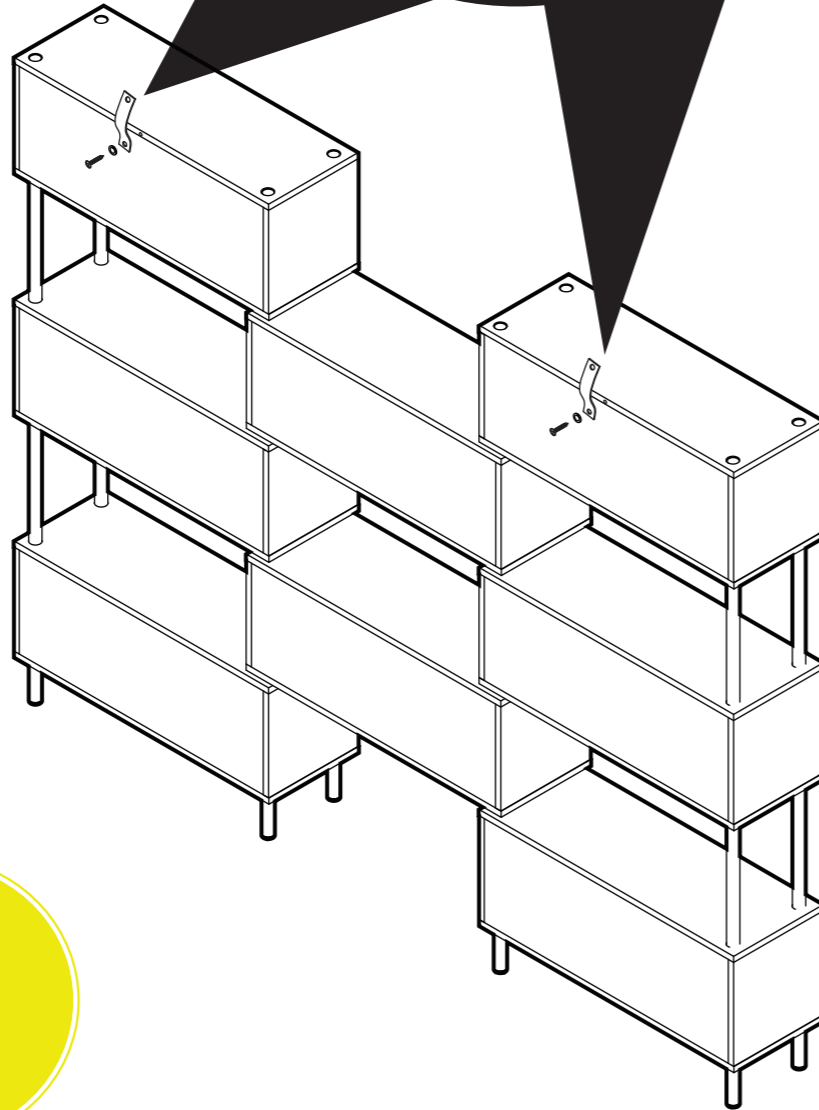
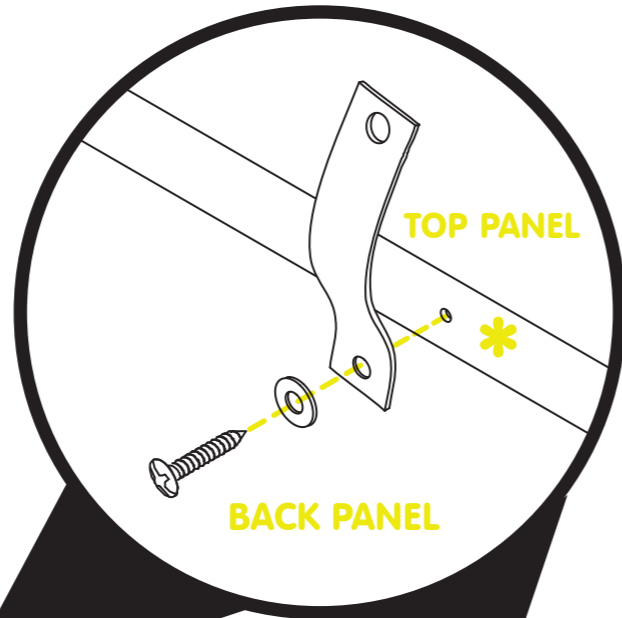
11

**SAFETY**

Serious or fatal crushing injuries can occur from furniture tip-over. Install the provided anti-tip hardware as shown. The use of such hardware may only reduce, but not eliminate, the risk of tip-over.



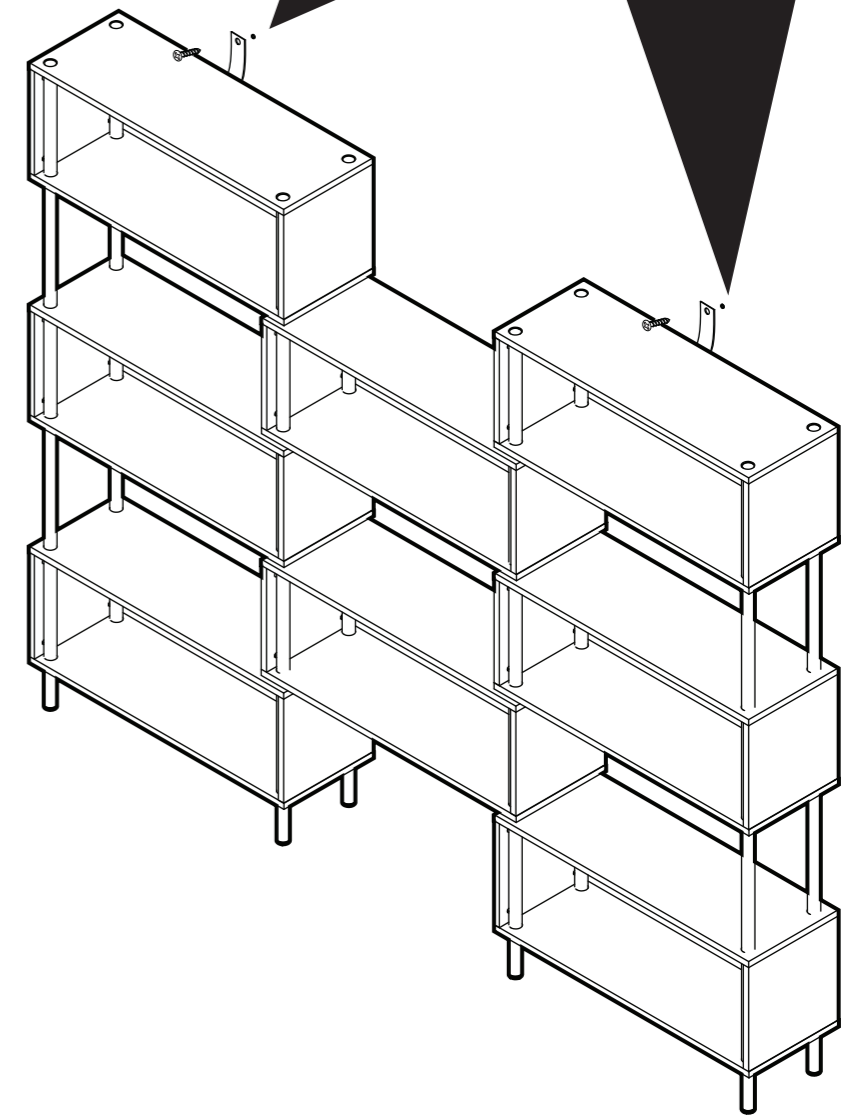
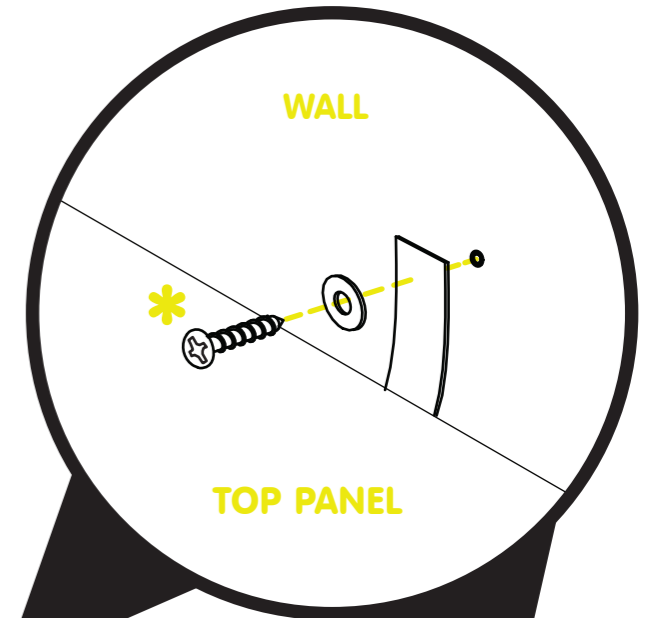
Install anti-tip hardware to product as shown. hardware must be installed to top panel versus back panel. In order to prevent cracking, it is recommended to mark hole locations and drill pilot holes using a 3/32" drill bit.



12



CONSULT YOUR LOCAL HARDWARE PROFESSIONAL TO DETERMINE THE HARDWARE BEST SUITED FOR YOUR TYPE OF WALL..



Attach anti-tip strap to wall using recommended hardware as shown. For best results, attach anti-tip strap to a wall stud.

