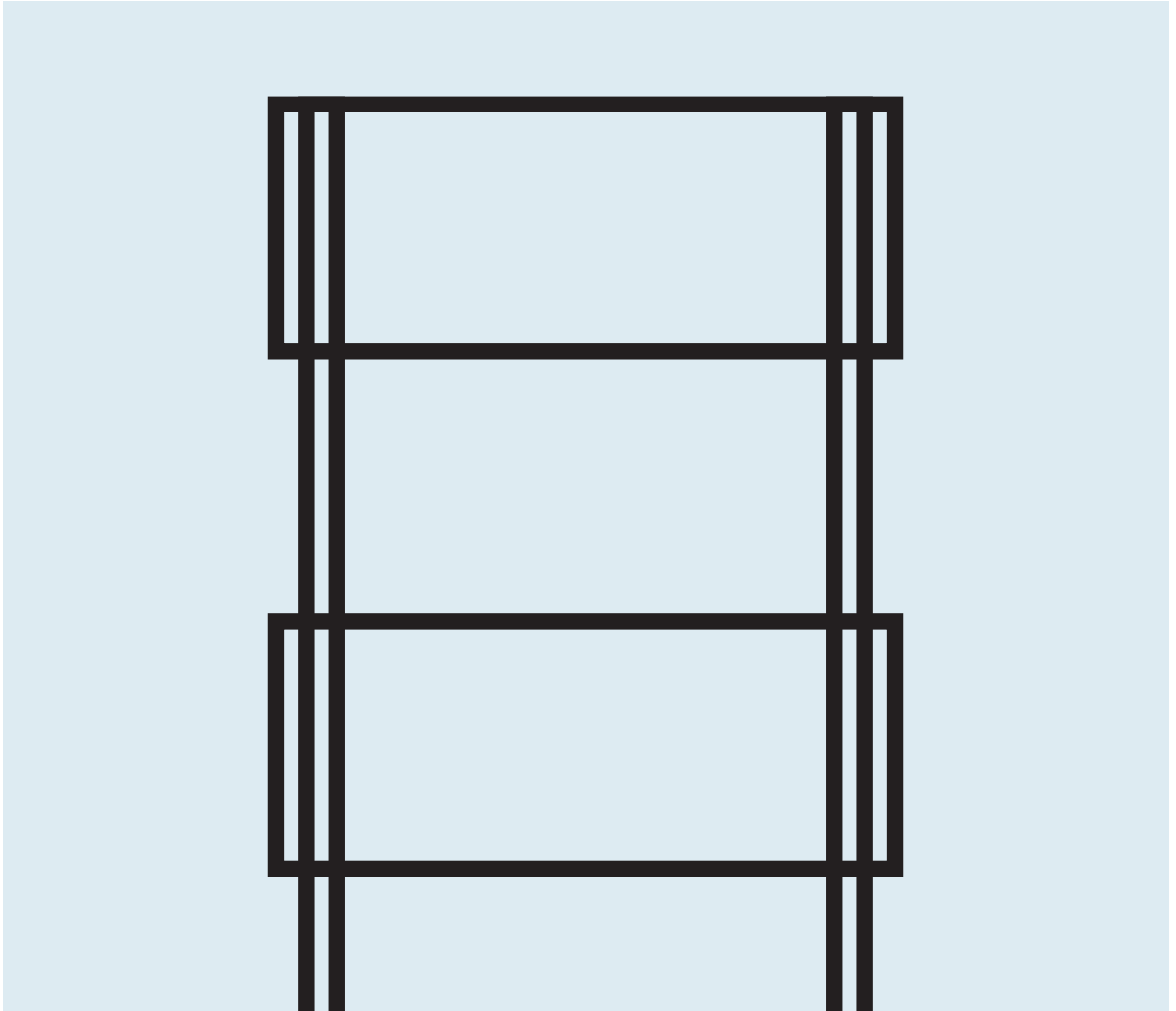
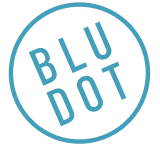


Chicago 3 Box

DESIGNED IN 1997

ASSEMBLY NOTES | REV 00



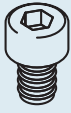
COMPELLING NEGATIVE SPACE - LIKE A GAP TOOTH.

Sometimes, good design is about what's not there. The Chicago series takes advantage of negative space, creating smart, elegant storage.

NEED A HAND?

Contact us at service@bludot.com or **844.425.8368** for assistance.

Parts & Hardware



QTY 24

Pt. 1001



QTY 24

Pt. 5001



QTY 24

Pt. 5005



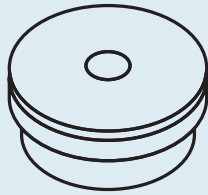
QTY 24

Pt. 5002



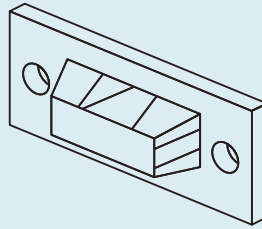
QTY 12

Pt. 8001



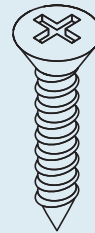
QTY 4

Pt. 8002



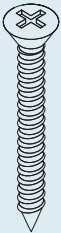
QTY 2

Pt. 8041



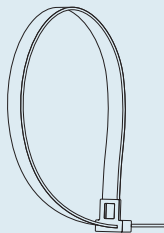
QTY 2

Pt. 1217



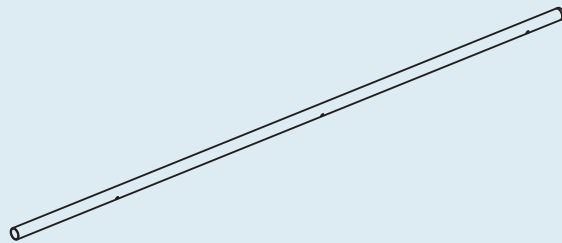
QTY 2

Pt. 1218



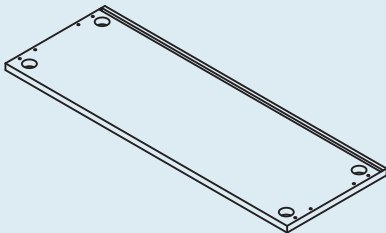
QTY 1

Pt. 8042



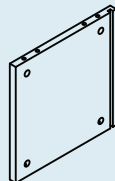
QTY 4

Upright



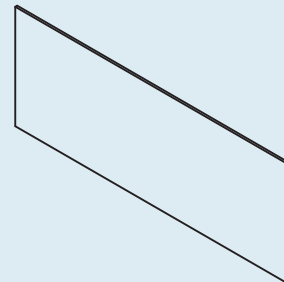
QTY 6

Top panel



QTY 6

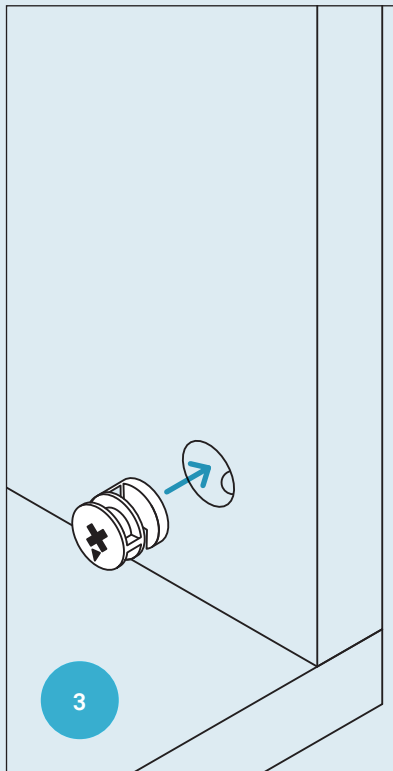
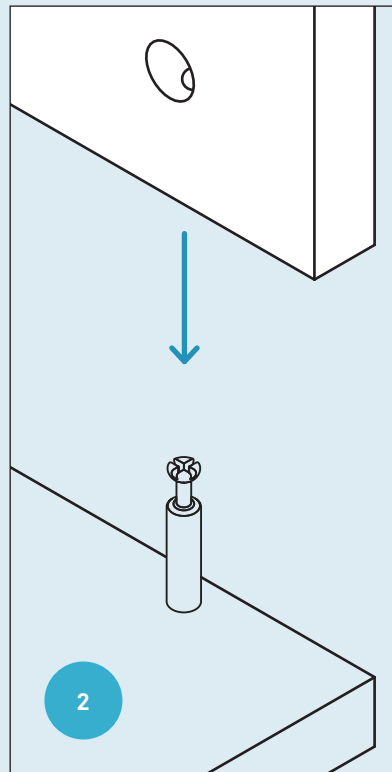
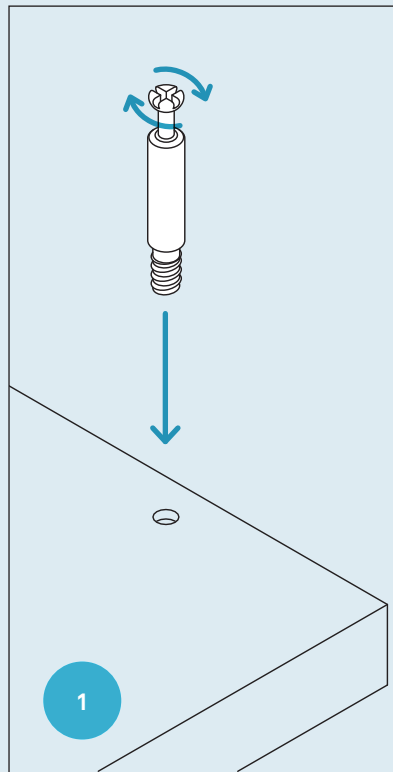
Side panel



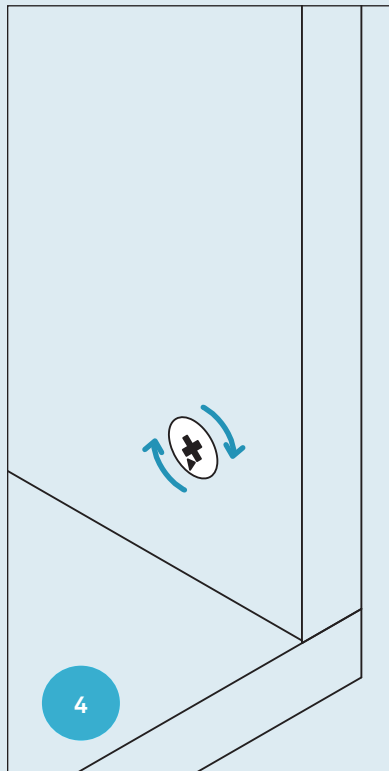
QTY 3

Back panel

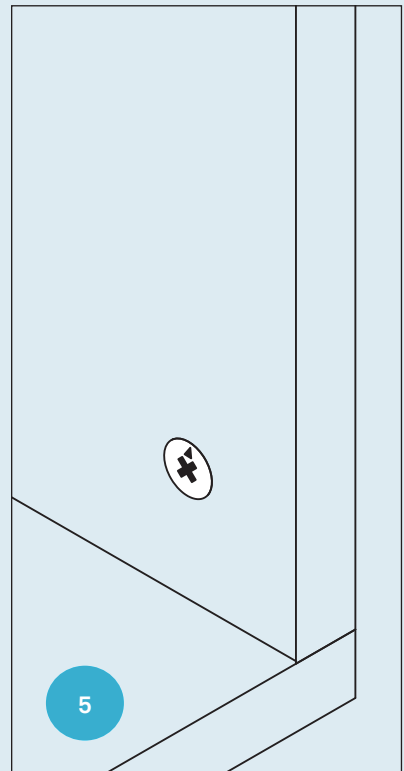
How to use the cam lock system



Note direction of cam arrow.



Turn cam clockwise 1/2 turn or until tight.

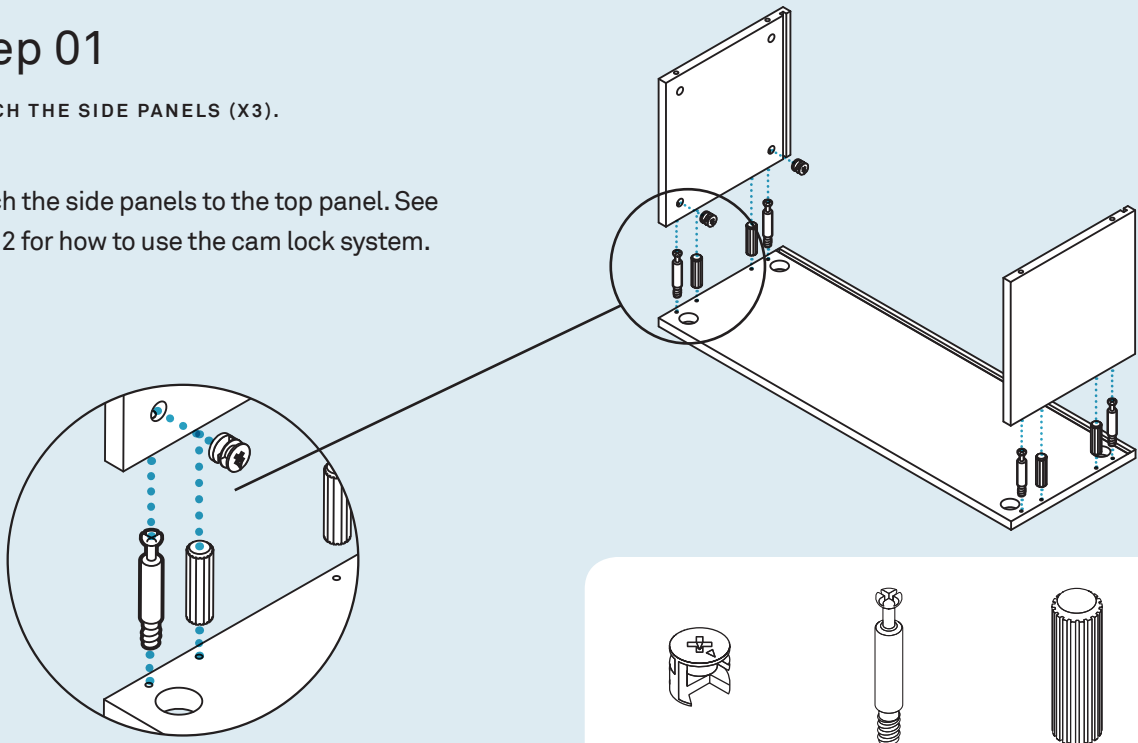


Note direction of cam arrow.

Step 01

ATTACH THE SIDE PANELS (X3).

Attach the side panels to the top panel. See page 2 for how to use the cam lock system.



PT. 5001 x 12

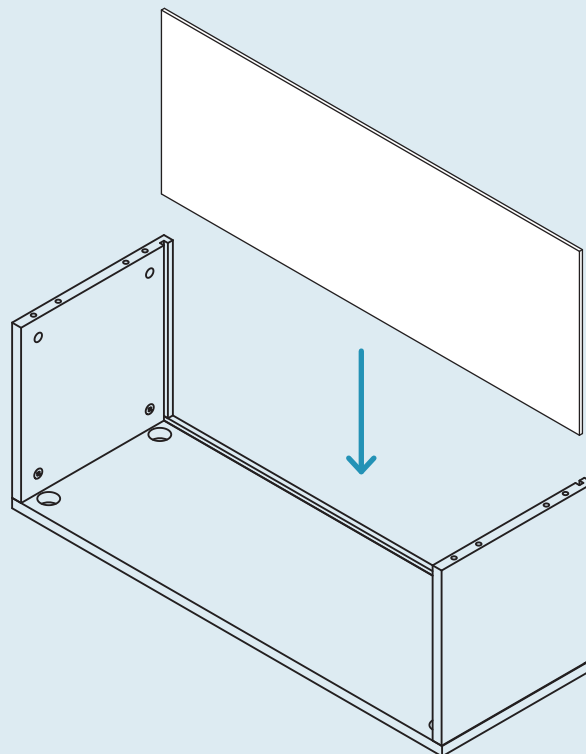
PT. 5002 x 12

PT. 5005 x 12

Step 02

INSERT THE BACK PANEL (X3).

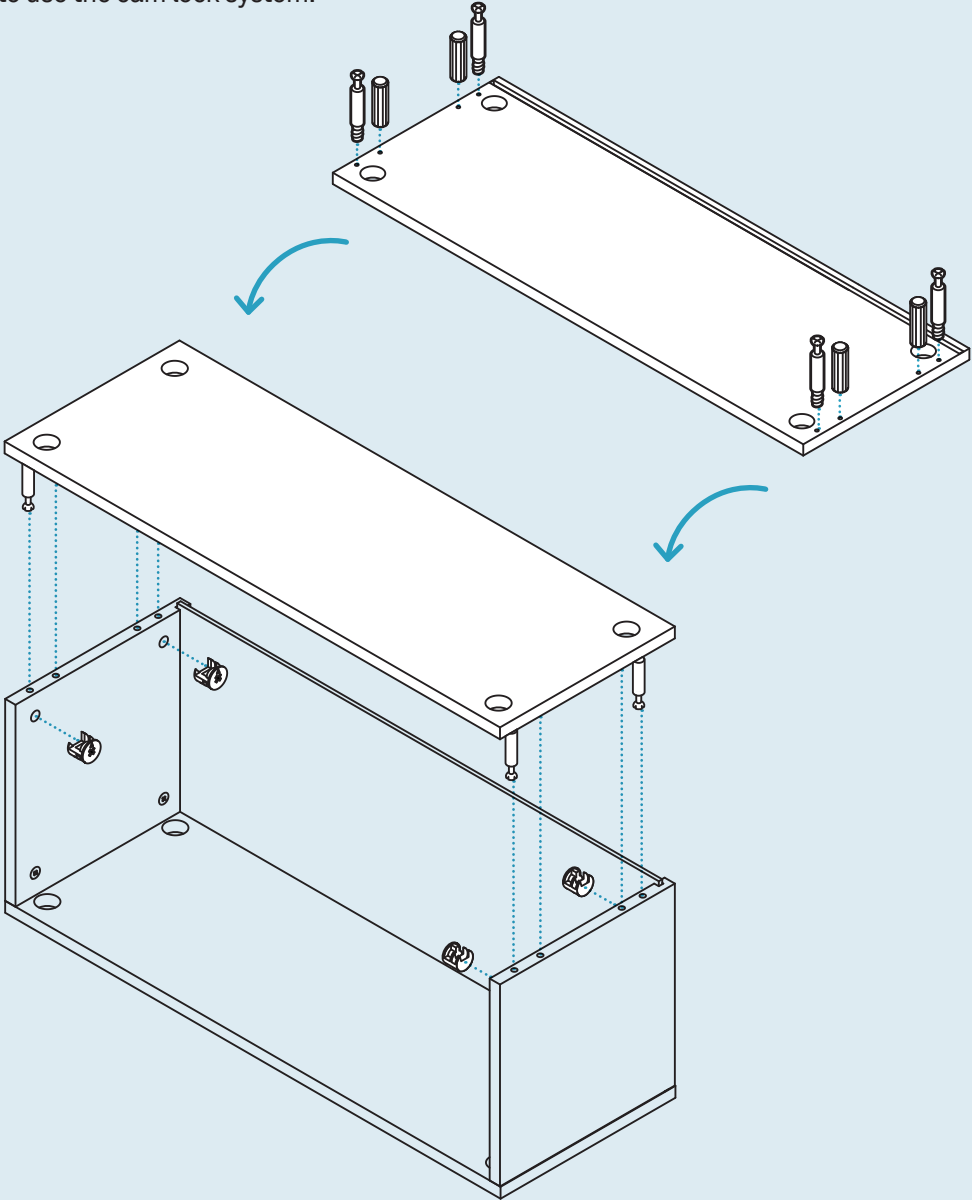
Slide the back panel between the side panel grooves.



Step 03

ATTACH THE TOP PANEL (X3).

Attach the top panel to the side panels. See page 2 for how to use the cam lock system.

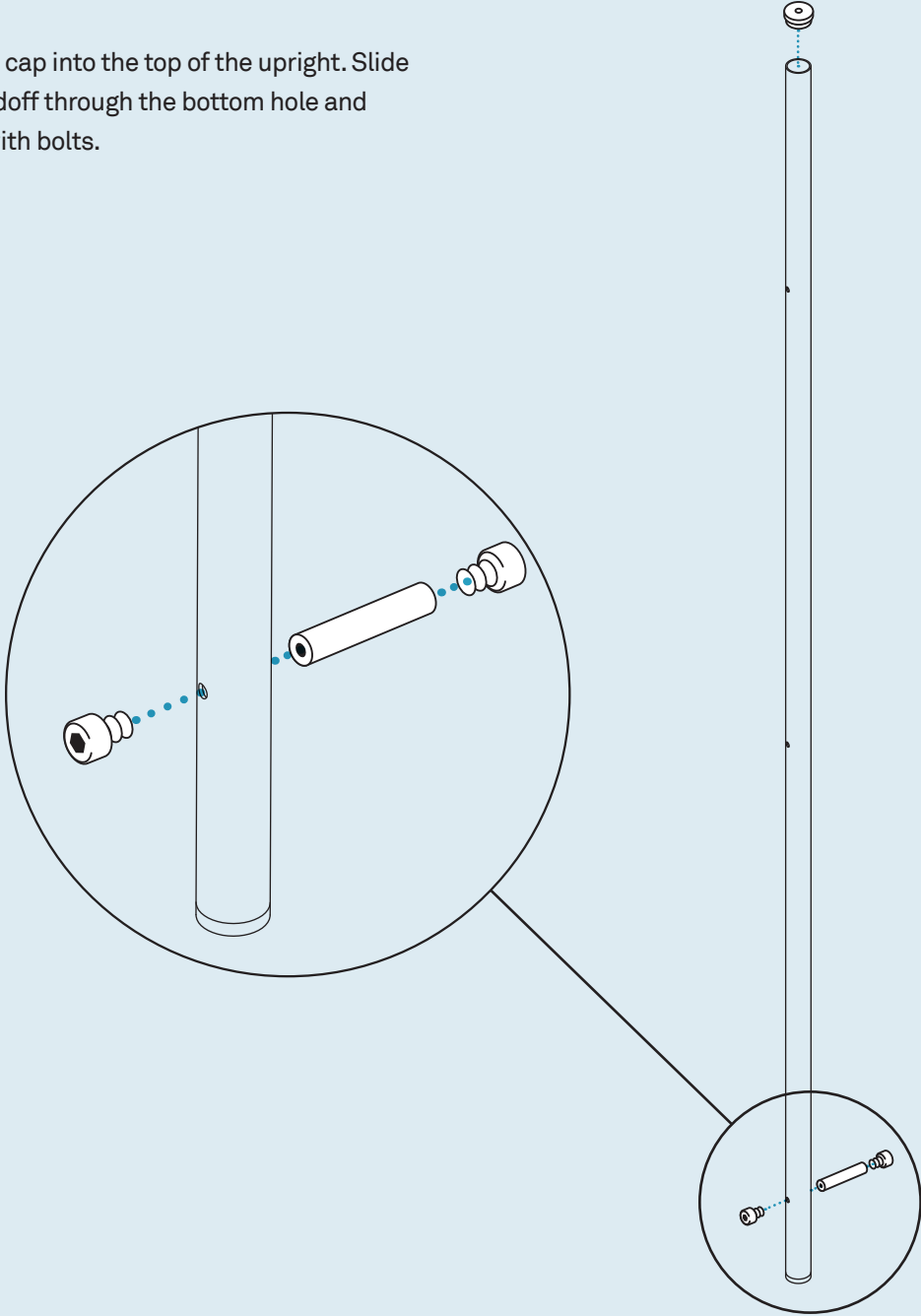





PT. 5001 x 12 PT. 5002 x 12 PT. 5005 x 12

Step 04

INSTALL THE STANDOFFS (X4).

Push the cap into the top of the upright. Slide the standoff through the bottom hole and secure with bolts.

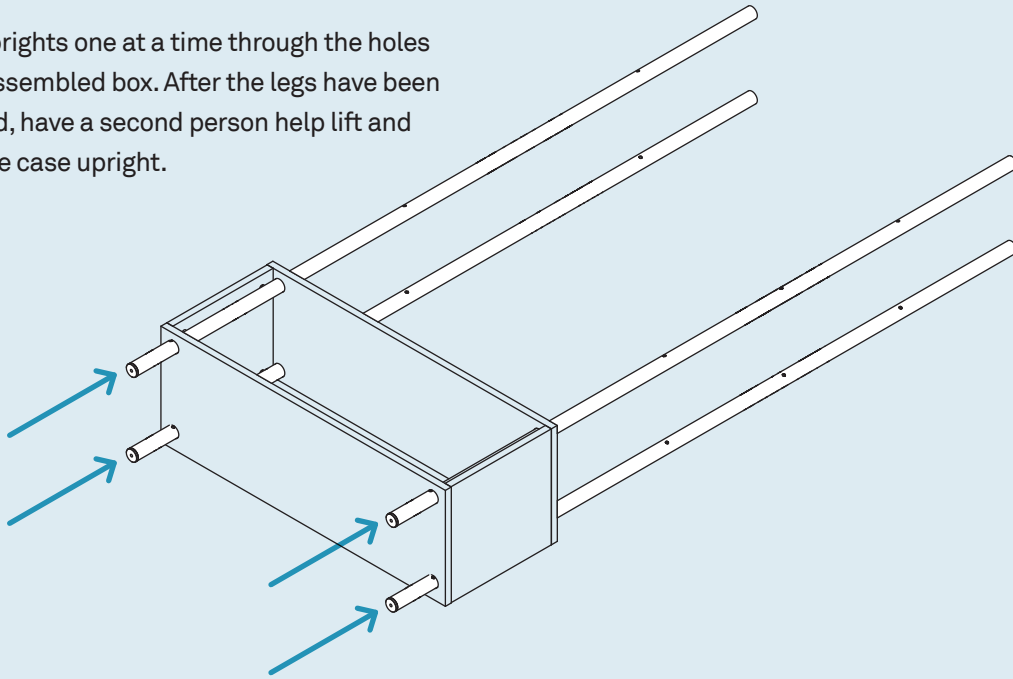


		
PT. 8002 x 4	PT. 8001 x 4	PT. 1001 x 8

Step 05

INSTALL UPRIGHTS.

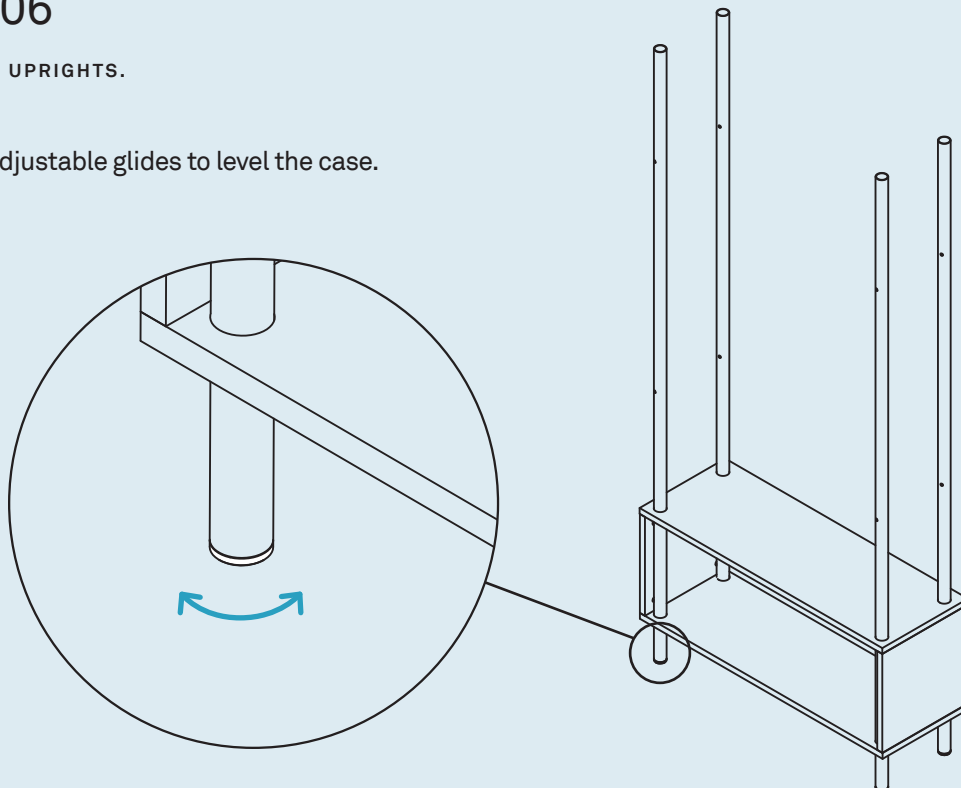
Slide uprights one at a time through the holes in the assembled box. After the legs have been installed, have a second person help lift and bring the case upright.



Step 06

LEVEL THE UPRIGHTS.

Turn the adjustable glides to level the case.



Step 07

INSTALL THE SECOND BOX.

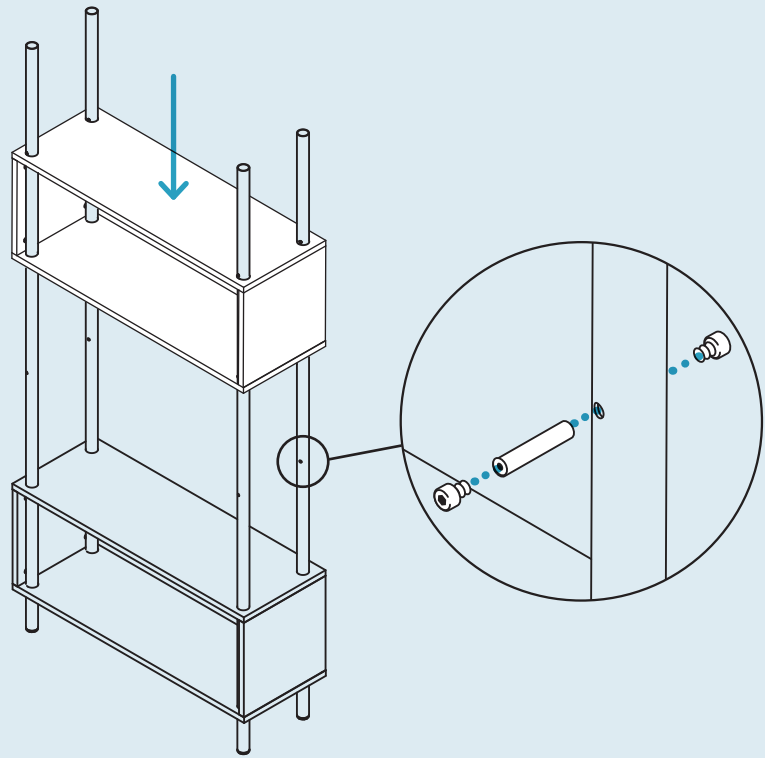
Slide the standoff through the middle hole and secure with bolts (x4). Slide the box assembly over the uprights.



PT. 8001 x 4



PT. 1001 x 8



Step 08

INSTALL THE LAST BOX.

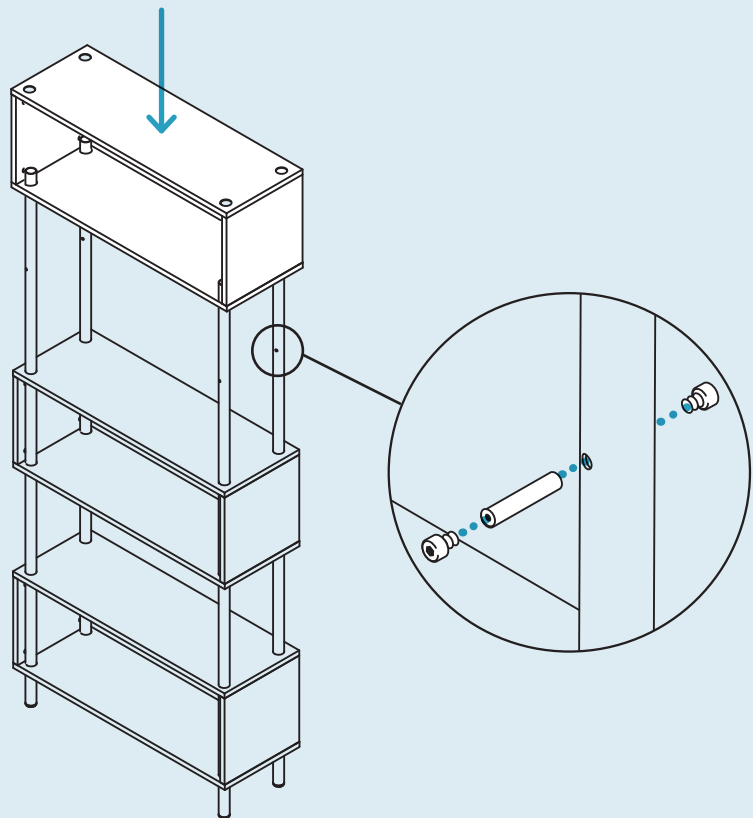
Slide the standoff through the top hole and secure with bolts (x4). Slide the box assembly over the uprights.



PT. 8001 x 4



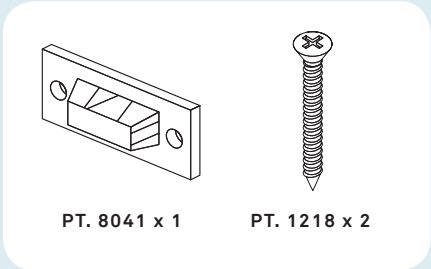
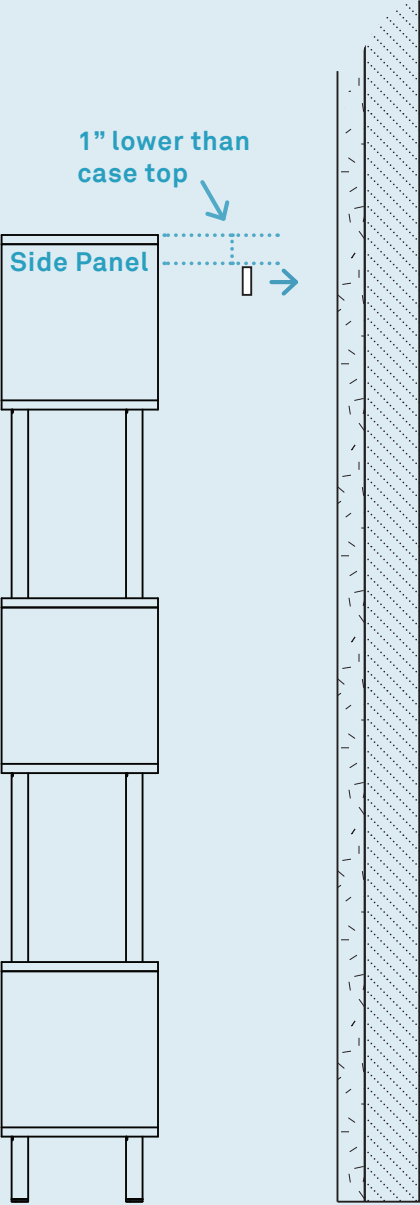
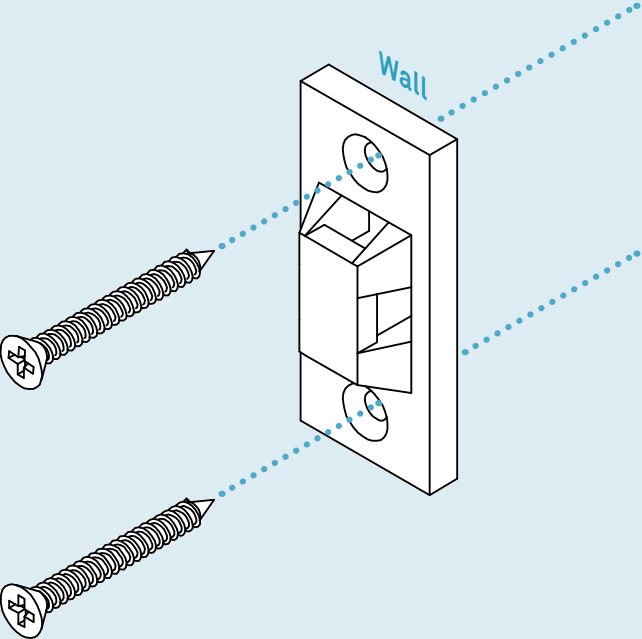
PT. 1001 x 8



Step 09

ATTACH ANTI-TIP BRACKET TO THE WALL.

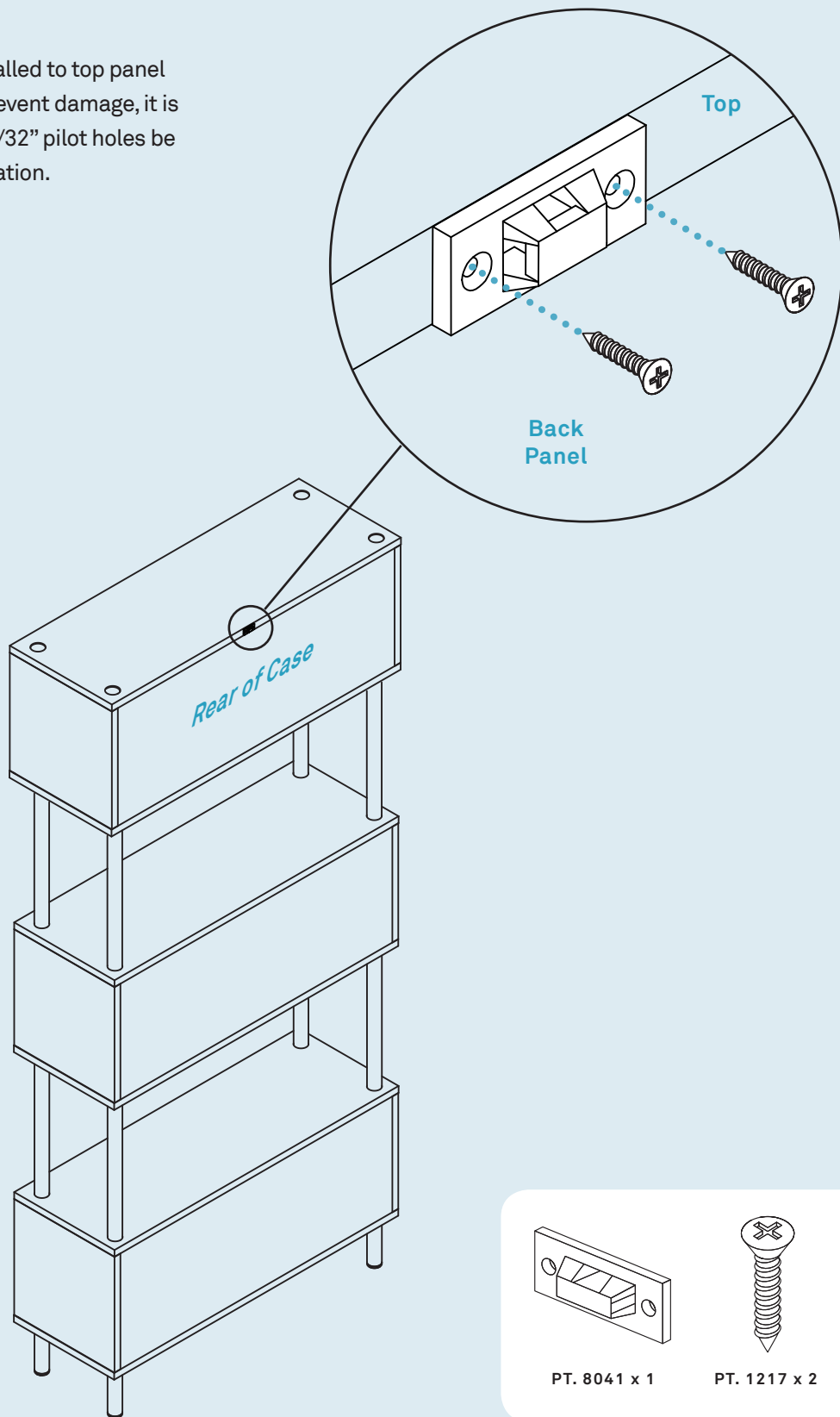
Install anti-tip bracket to wall stud 1-inch below case top panel height.



Step 10

INSTALL ANTI-TIP BRACKET TO CASE.

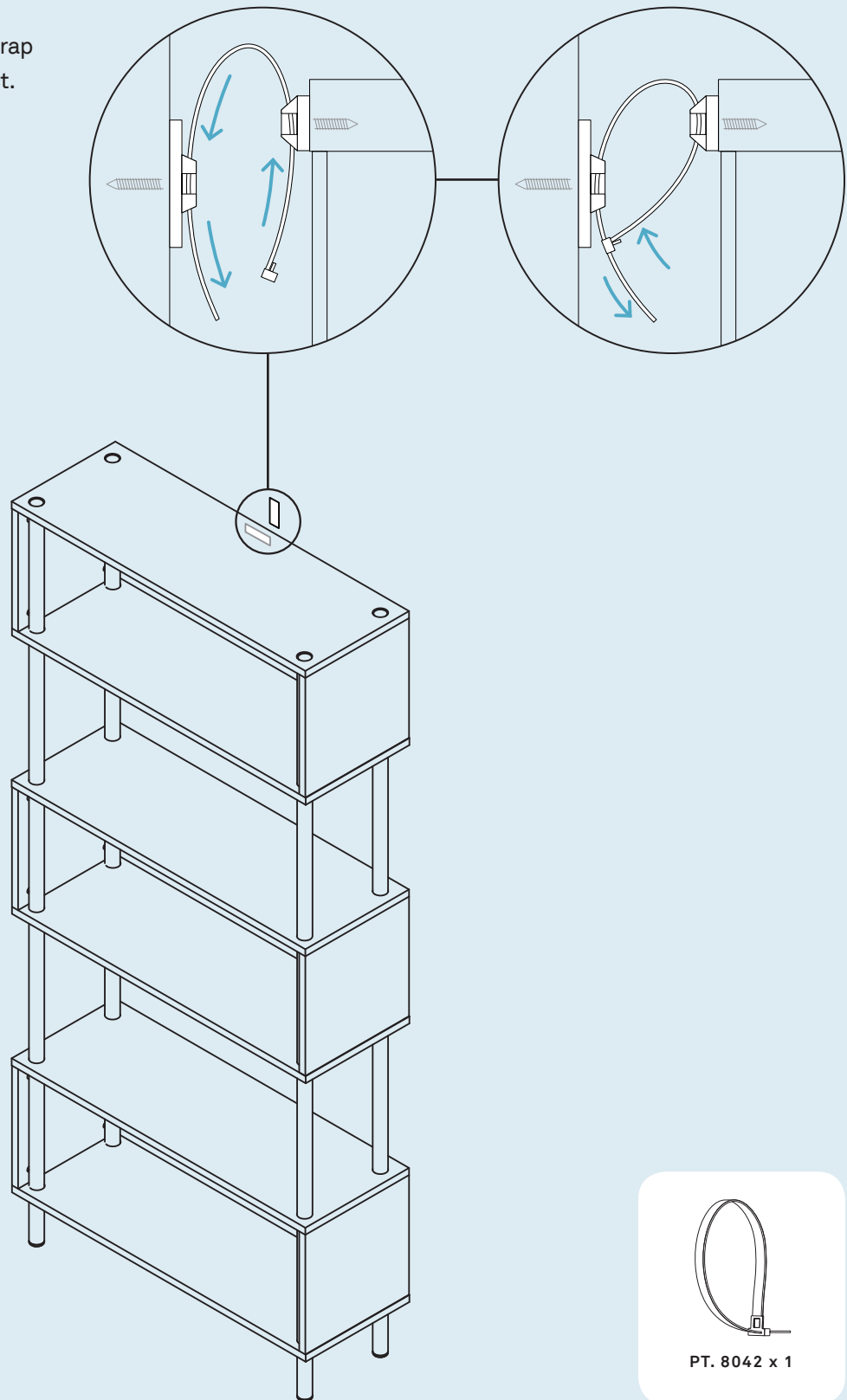
Bracket must be installed to top panel of case. In order to prevent damage, it is recommended that 3/32" pilot holes be drilled prior to installation.



Step 11

SECURE THE CASE.

Install and tighten the strap prior to using the product.



Additional Information

CLEAN

Clean with a slightly damp, soft cloth. To remove dirt and fingerprints, use a quality cleaner formulate for wood furniture. Wipe completely dry with a soft cloth in the direction of the wood grain.

