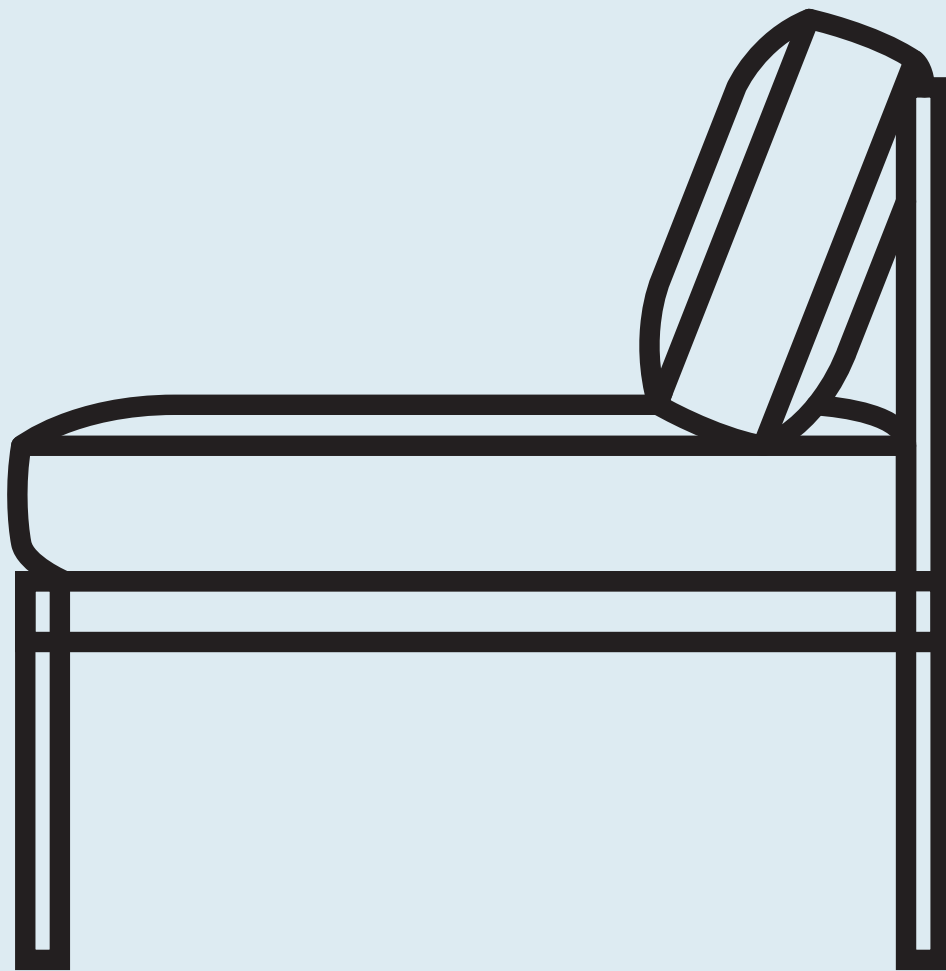
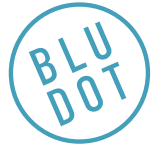


Chassis Sofa Collection

DESIGNED IN 2017

ASSEMBLY NOTES | REV 03



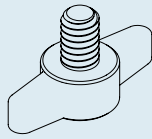
A WHOLE LOTTA SOMETHING SPECIAL.

Chassis is a configurable seating system that is capable of being a sectional, a sofa, a loveseat, a lobby or an entire living room unto itself. You decide.

NEED A HAND?

Contact us at service@bludot.com or **844.425.8368** for assistance.

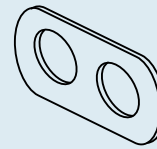
Parts & Hardware



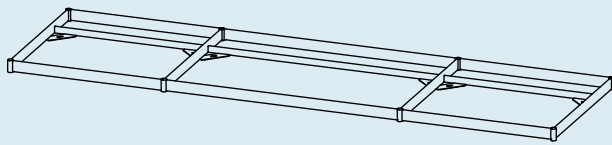
QTY 4*
Pt. 8048



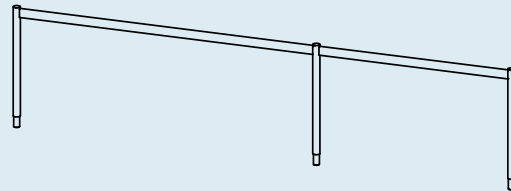
QTY 1*
Tube Cap



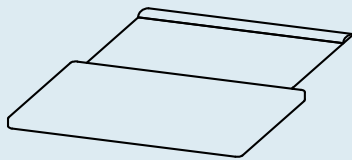
QTY 2
Sectional Bracket



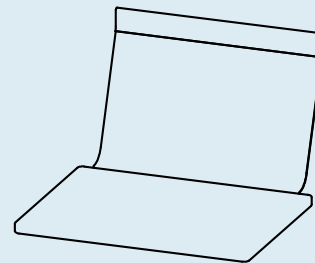
QTY 1
Seat Frame



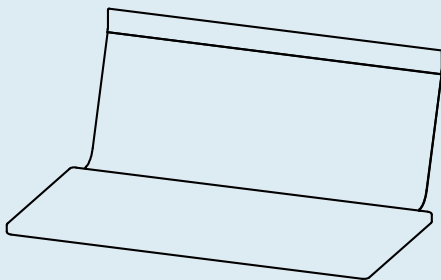
QTY 1
Back Frame



QTY 1*
End Cushion Sling



QTY 1*
Small Cushion Sling



QTY 1*
Large Cushion Sling



QTY 1*
Small Seat Cushion

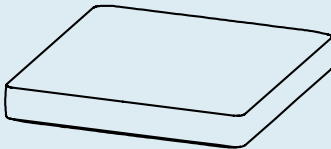
* Hardware and part quantities can vary depending on your particular purchase. Feel free to contact customer service if you have any questions or concerns regarding your purchase.

Parts & Hardware



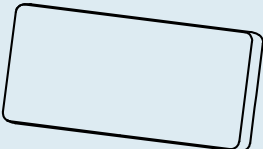
QTY 1*

Large Seat Cushion



QTY 1*

End Cushion



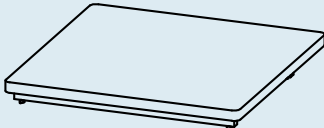
QTY 1*

Small Back Cushion



QTY 1*

Large Back Cushion



QTY 1*

Table Top



QTY 8*

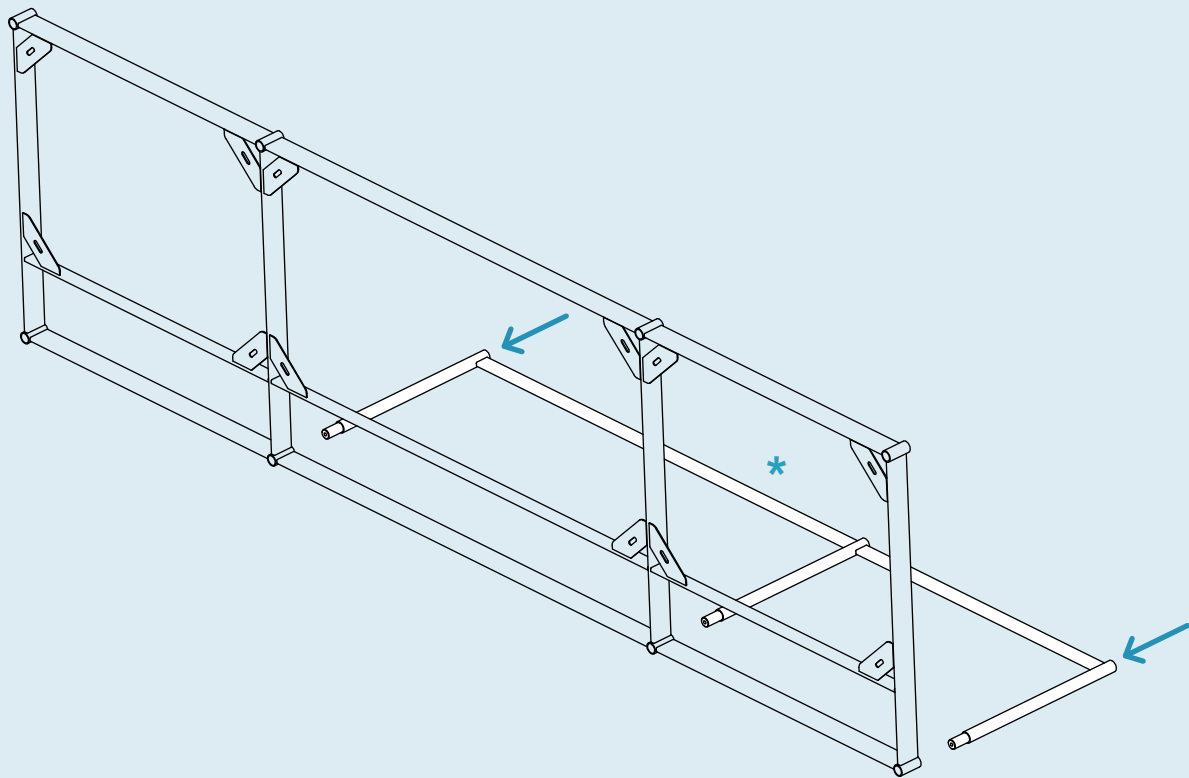
Adjustable Foot

* Hardware and part quantities can vary depending on your particular purchase. Feel free to contact customer service if you have any questions or concerns regarding your purchase.

Step 01

ATTACHING BACK FRAME.


Align back frame with seat frame holes and slide into place.

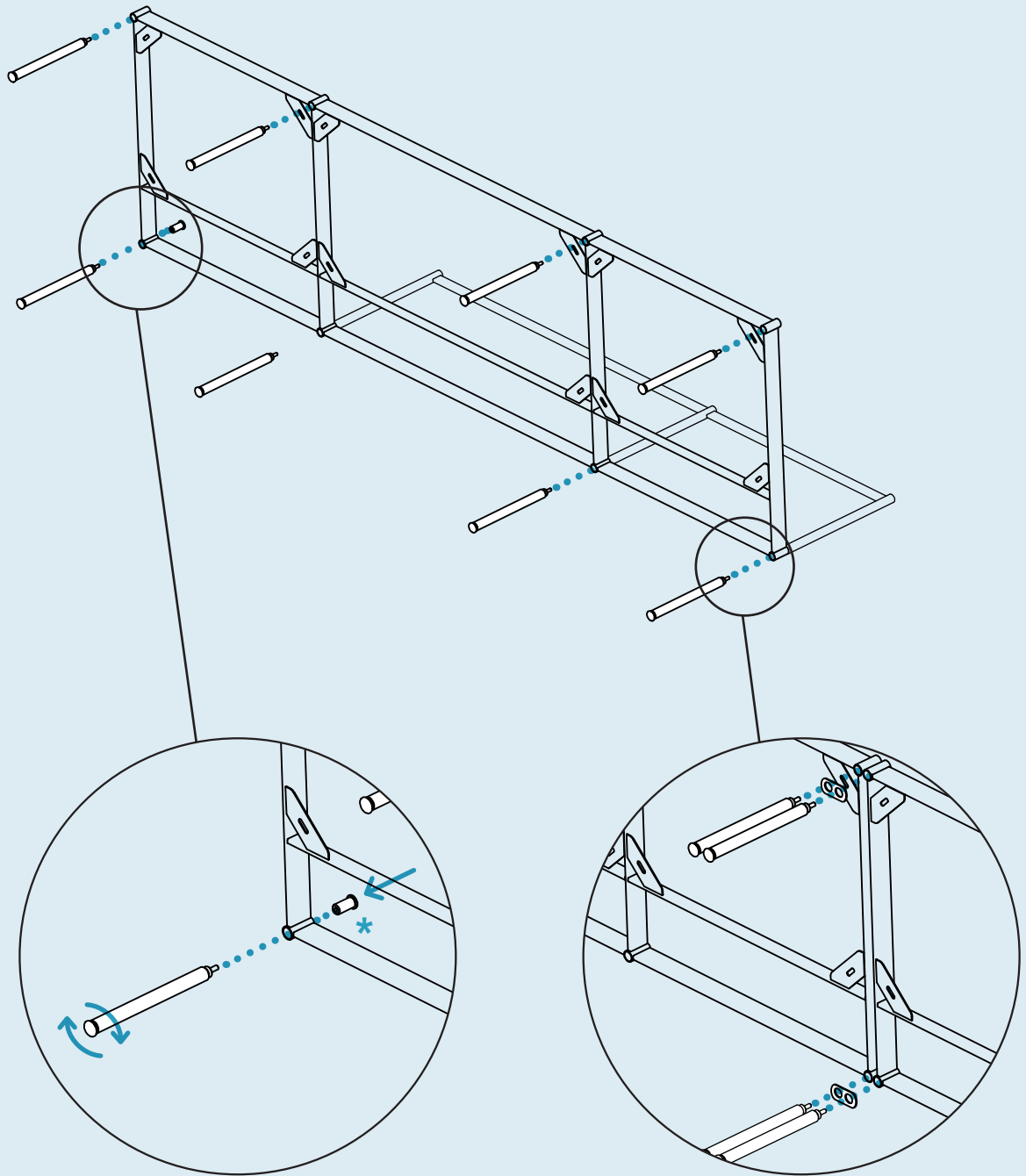


* Partial back frames can be installed on either the left or right side depending on your seating needs. Partial back frame shown on right side.

Step 02

ATTACHING THE LEGS.

Align legs with seat frame holes and turn clockwise  until tight.



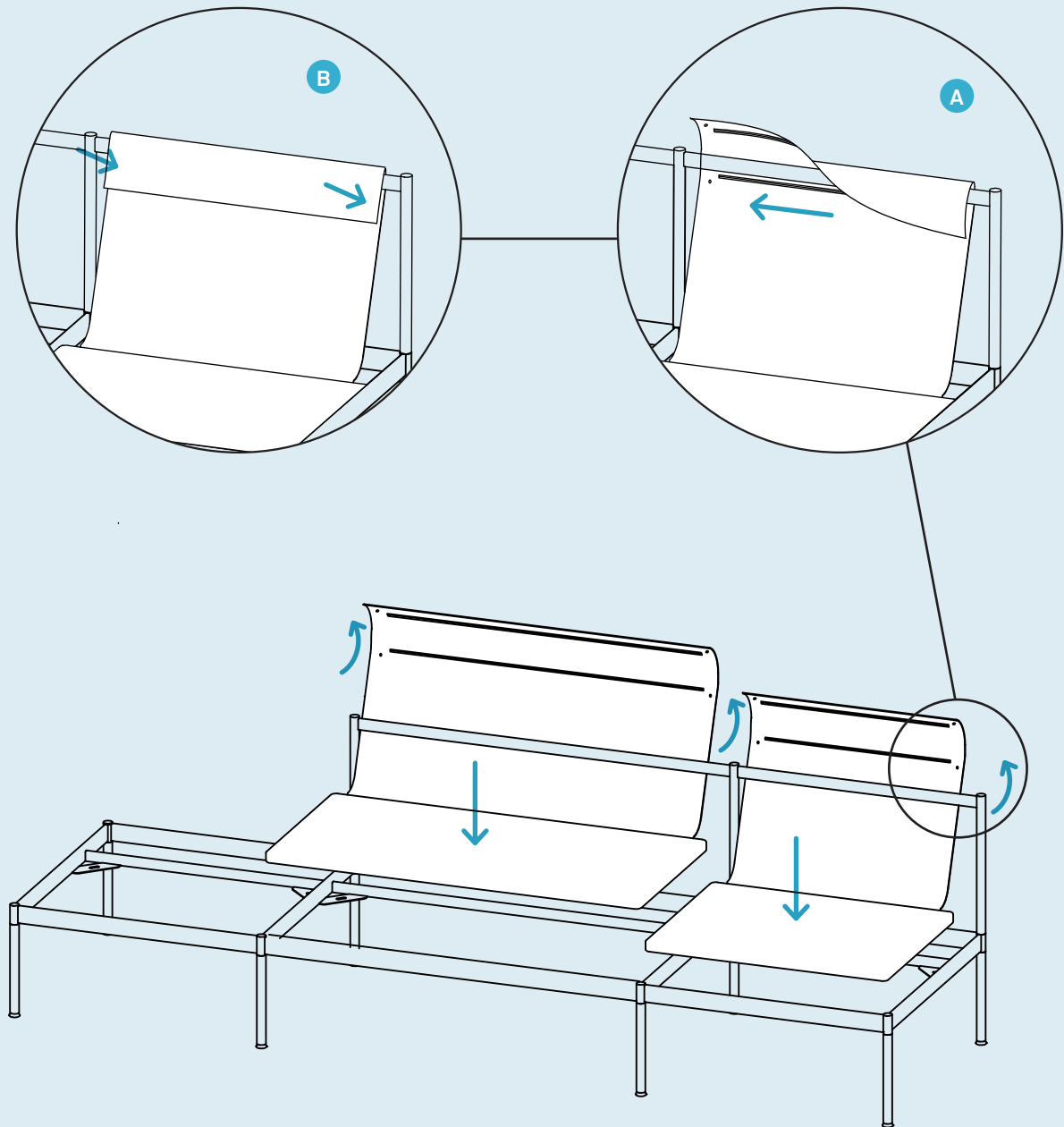
* Tube cap is included with some products. Place tube cap in remaining rear leg frame hole and attach leg as shown.

Sectional brackets are included for connecting multiple product pieces.

Step 03

ATTACHING THE CUSHION SLINGS.

Place cushion slings into seat frame as shown. Next, wrap the sling around the back frame and secure using the pre-attached zipper and button snaps as shown.

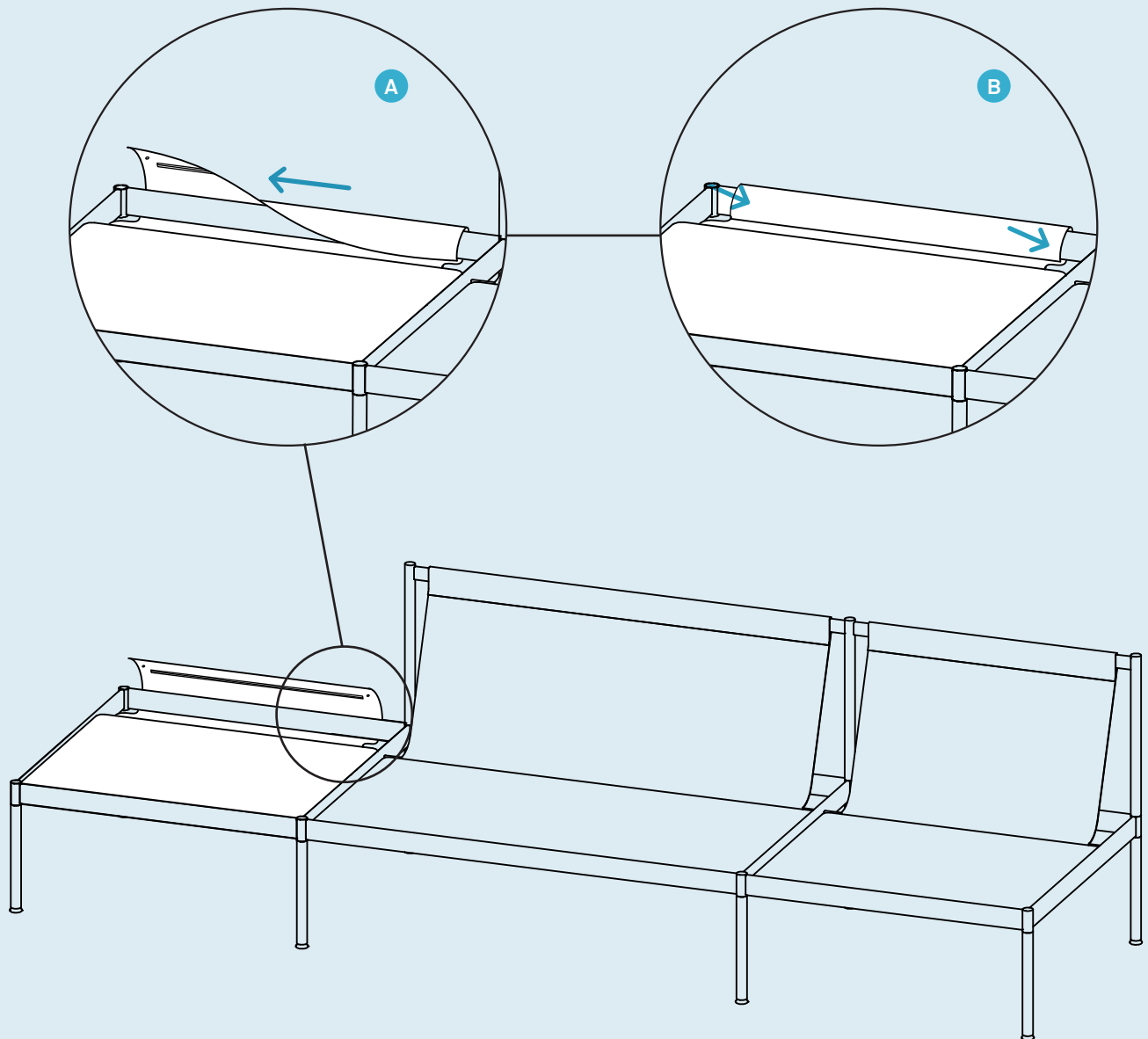


Step 04

ATTACHING THE END CUSHION SLING, IF INCLUDED.

Follow the below step if an end cushion is included with your purchase; if not, please move to Step 05.

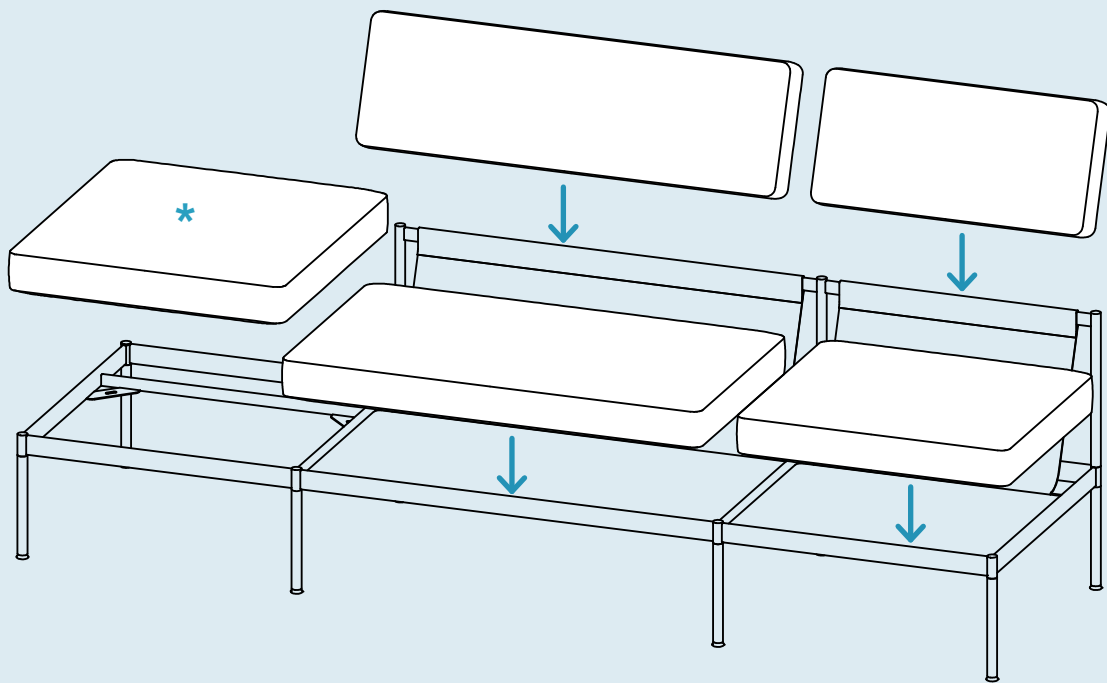
Place end cushion sling into seat frame as shown. Next, wrap the sling around the seat frame and secure using the pre-attached zipper and button snaps as shown.



Step 05

PLACING THE CUSHIONS.

Place the seat cushions onto the seat frame first, push back until they touch the sling. Place the back cushions on top of the seat cushions and against the sling.

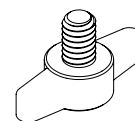
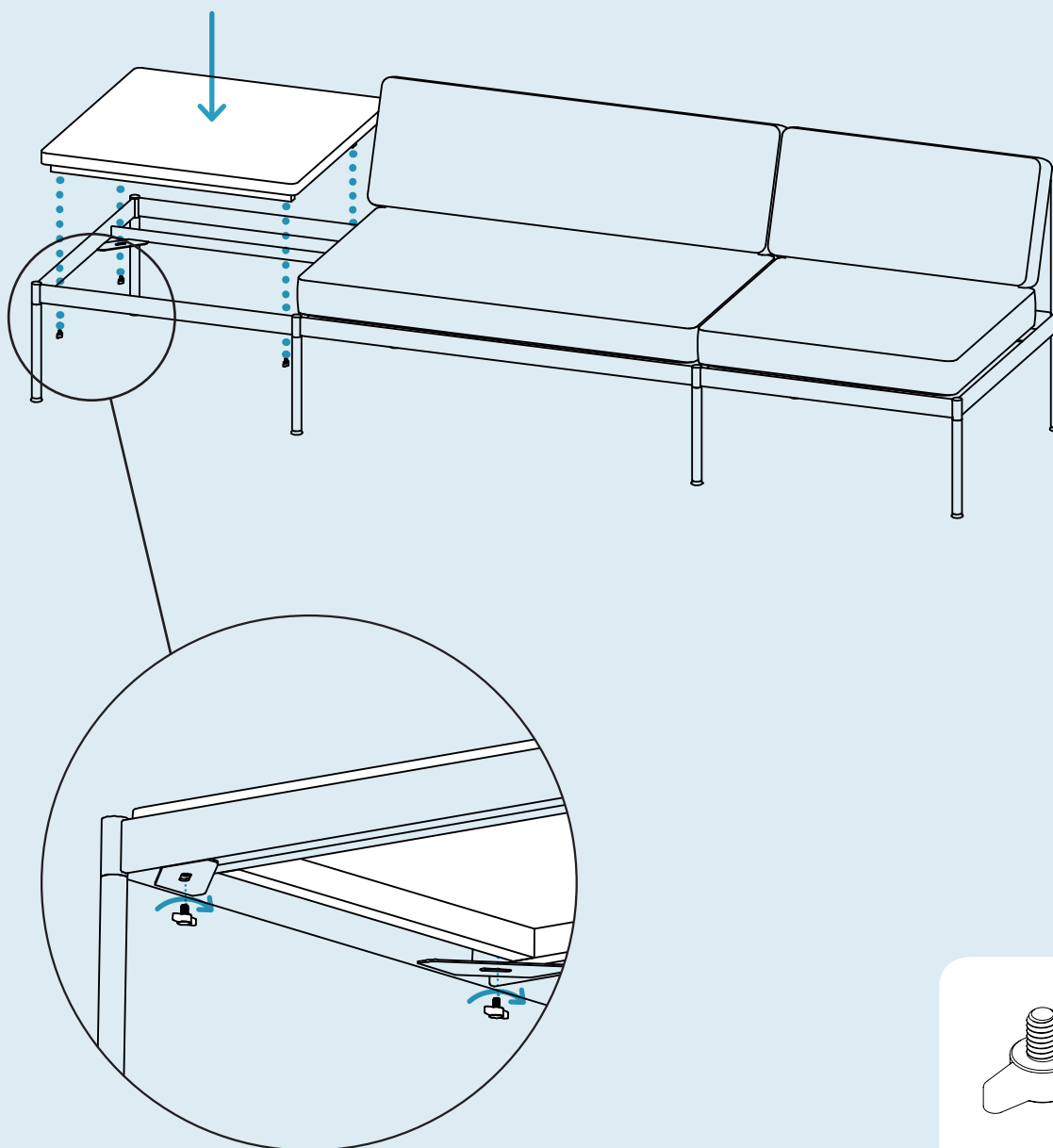


* Some pieces within the collection ship with end cushions. End cushions can easily be identified as they will be deeper than the other cushions.

Step 06

ATTACHING THE TABLE, IF INCLUDED.

Some pieces within the collection ship with integrated tables. Follow the below step if a table is included with your purchase; if not, please move to Step 07.

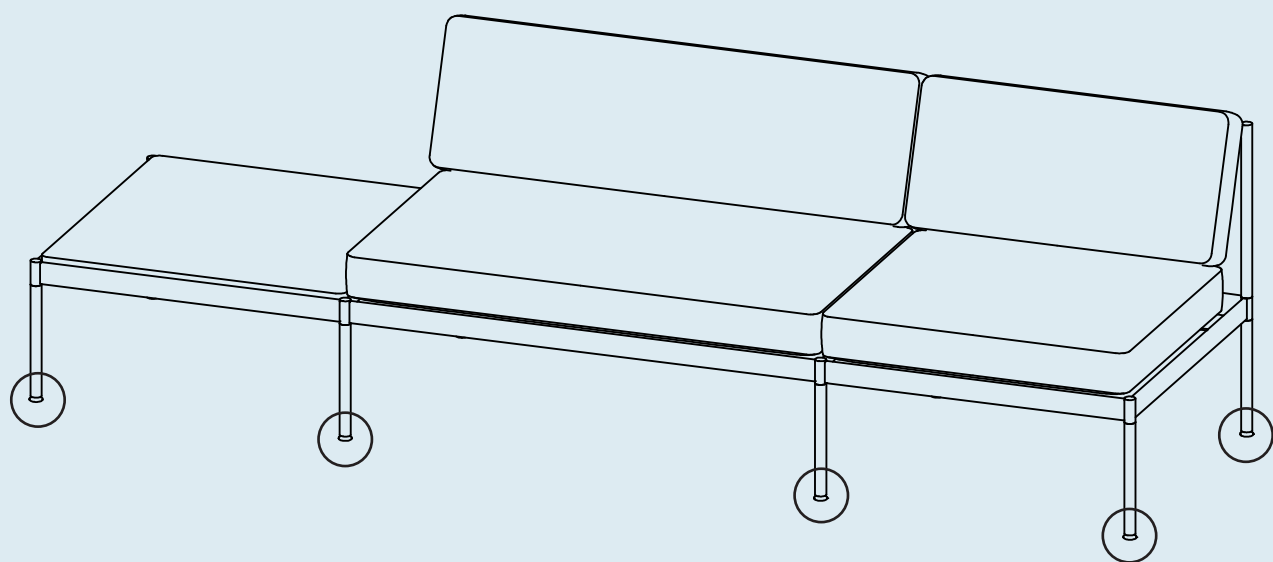
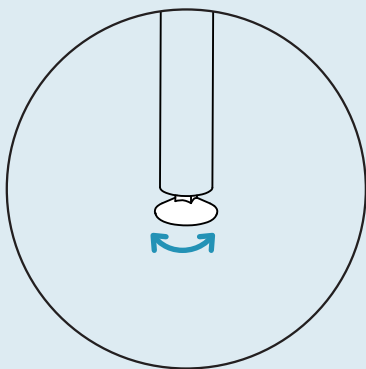


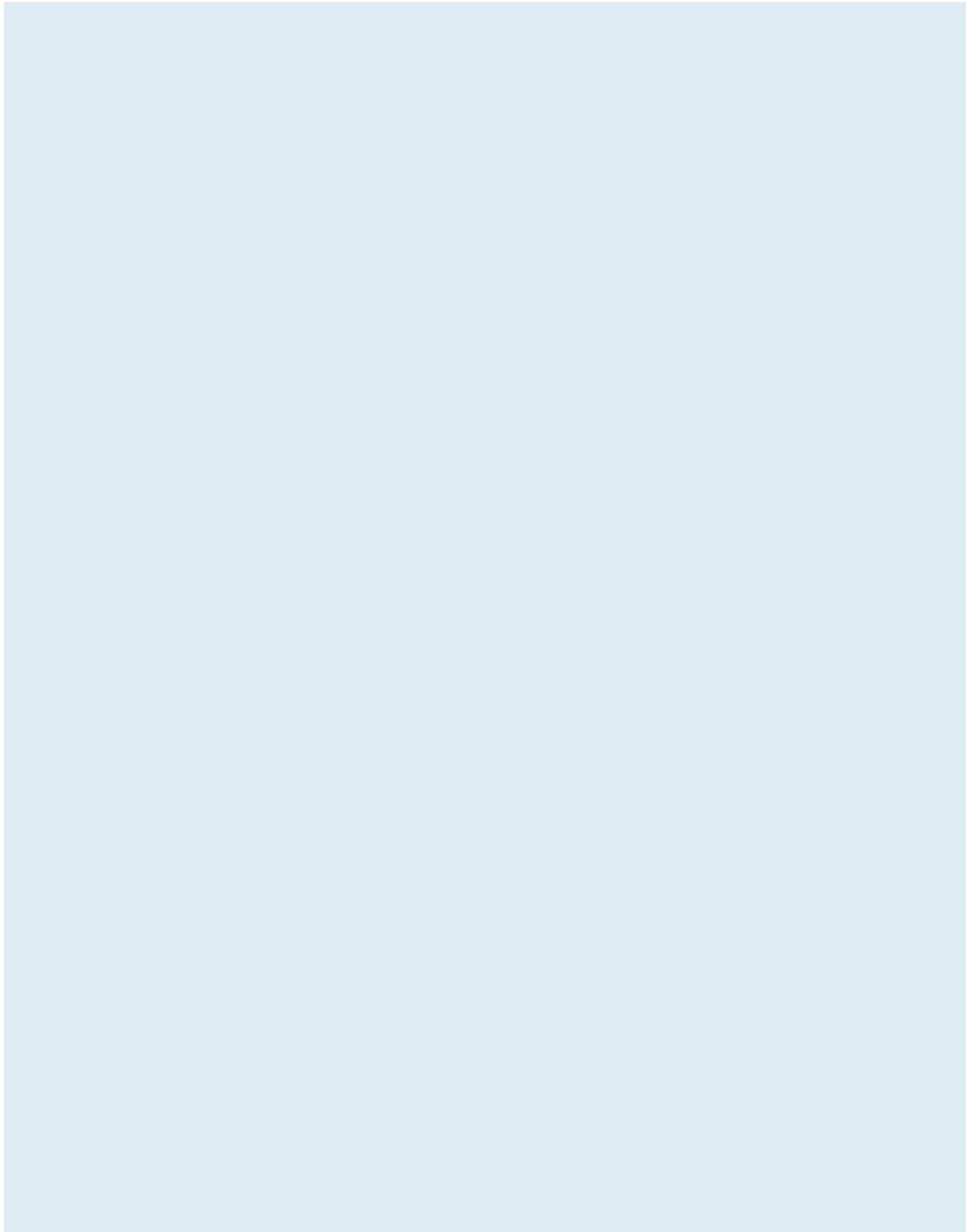
PT. 8048 x 4

Step 07

LEVELING YOUR PURCHASE.

This product comes with adjustable leg levelers. Rotate the levelers as needed based on your floor prior to first use.





Additional Information

CLEAN

Vacuum your upholstery regularly. For leather furniture dust regularly with a dry cloth.

SPILLS

Act quickly with spills. Absorb the spill with a clean white cloth or paper towel. Never rub the surface. Do not use water or other liquids to clean, as they may cause stains. Consult a commercial cleaning specialist for removal of stubborn stains.

AVOID

Keep furniture out of direct sunlight and away from heat sources; excessive exposure to sunlight may cause color fading. Avoid placing heavy or sharp objects on the furniture surface for long periods of time; this can cause permanent surface indentations. For snags in the fabric, tuck loose threads into fabric or carefully push to reverse side. Never pull out or cut off loose threads.

