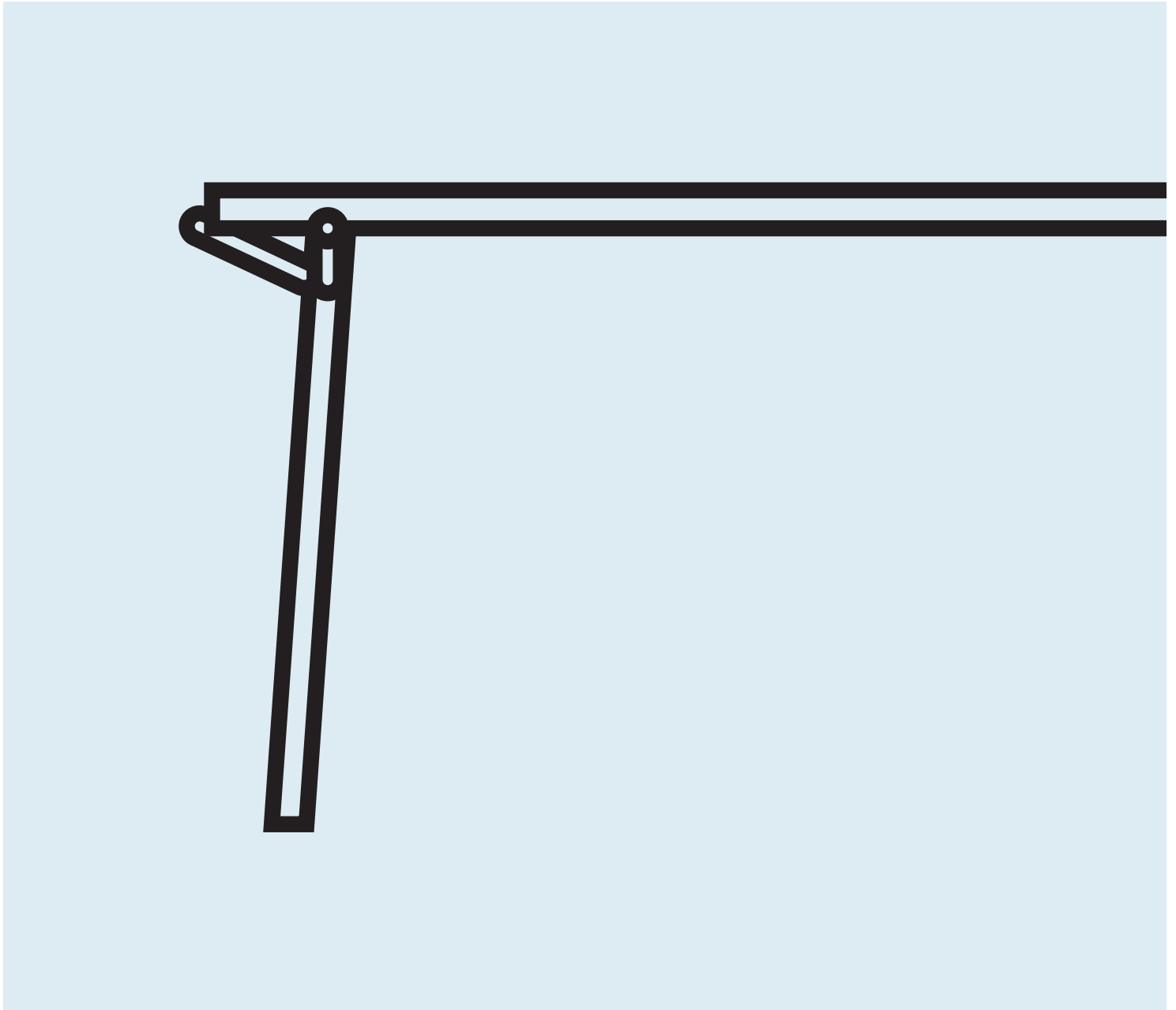


# Branch Collection



DESIGNED IN 2010

ASSEMBLY NOTES | REV 00



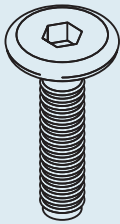
LET'S GET HEAVY.

Sculptural powder-coated steel legs  
handsomely prop up solid weathered oak.

NEED A HAND?

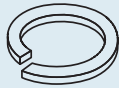
Contact us at [service@bludot.com](mailto:service@bludot.com) or  
**844.425.8368** for assistance.

# Parts & Hardware



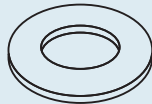
QTY 16

Pt. 1603



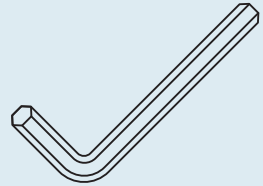
QTY 16

Pt. 3001



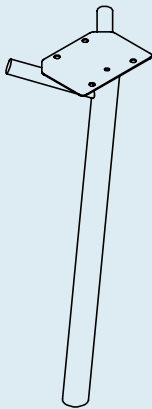
QTY 16

Pt. 3002



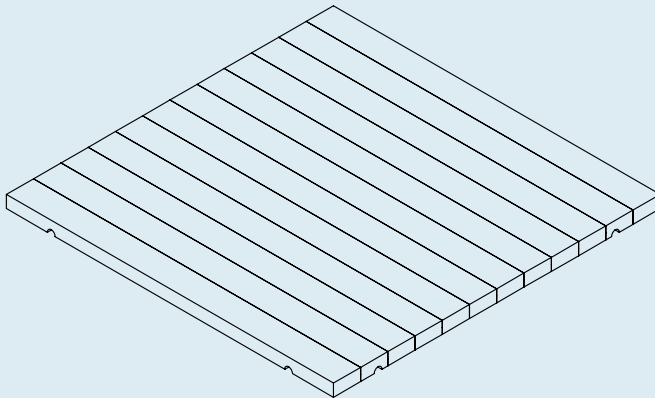
QTY 1

Pt. 9004



QTY 4

Leg



QTY 1

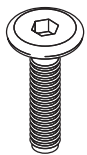
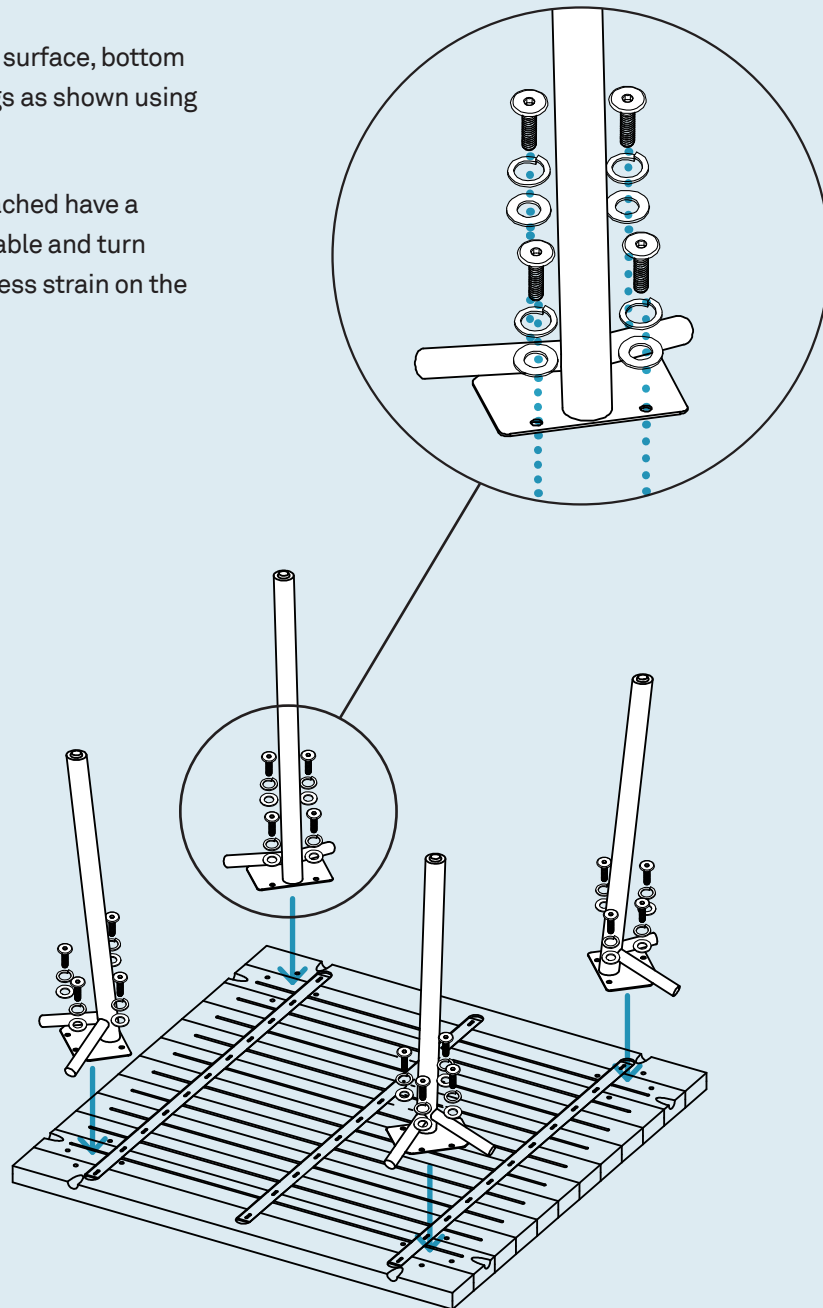
Top

# Step 01

## ATTACHING THE LEGS.

Place the top panel on a soft surface, bottom side facing up. Attach the legs as shown using the provided hardware.

Once the legs have been attached have a second person help lift the table and turn upright. This will prevent excess strain on the legs.



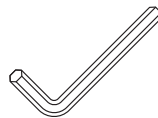
PT. 1603 x 16



PT. 3001 x 16



PT. 3002 x 16



PT. 9004 x 1

## Additional Information

### CLEAN

Clean with a slightly damp, soft cloth. To remove dirt and fingerprints, use a quality cleaner formulate for wood furniture. Wipe completely dry with a soft cloth in the direction of the wood grain.

