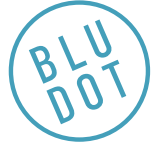
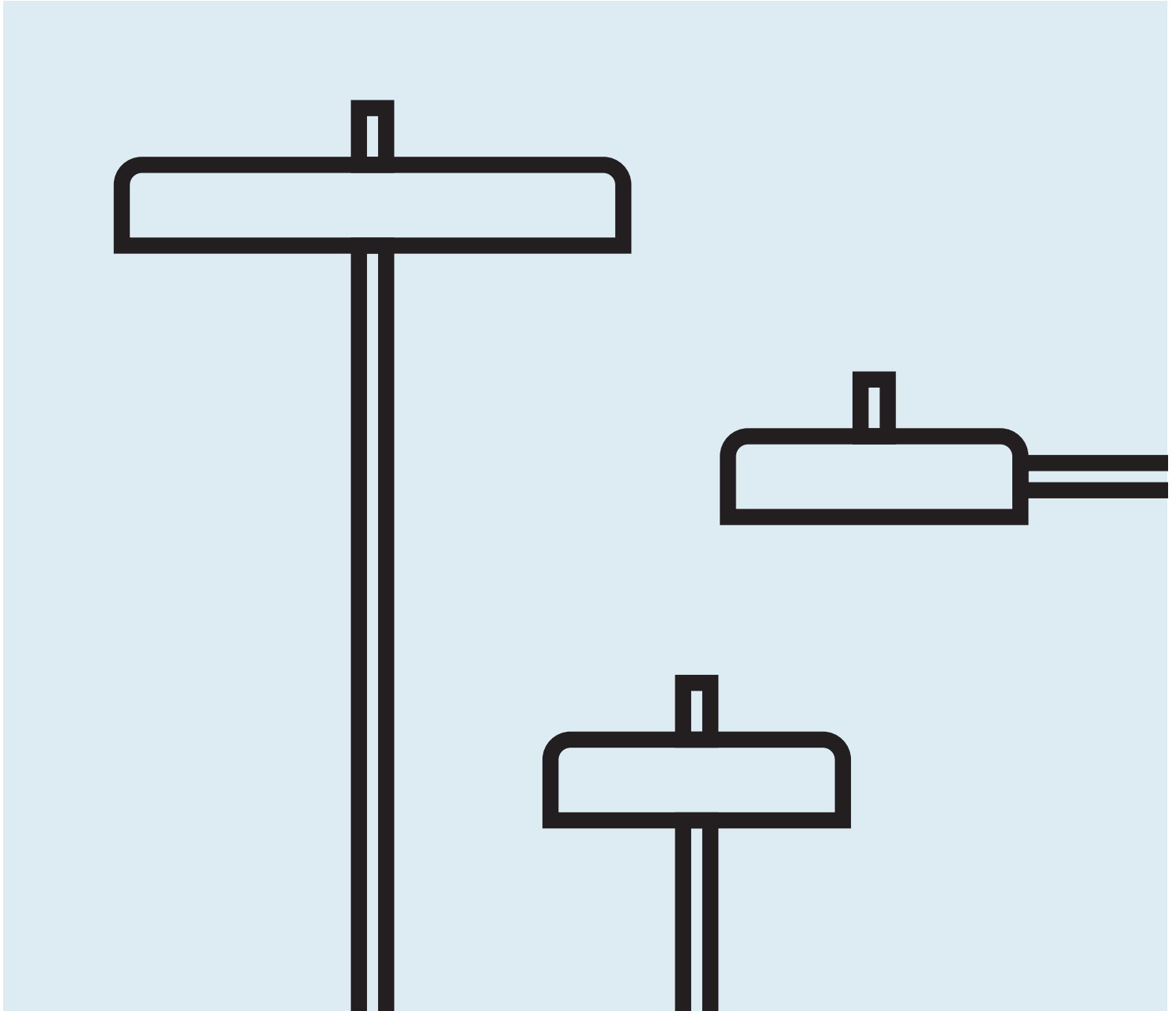


Bobber Sconce



DESIGNED IN 2018

ASSEMBLY NOTES | REV 00



BLAME IT ON ITS JUICE.

It's a sconce! No, it won't answer to the adorable pet name you give it or have witty replies to your inane requests (don't worry Alexa, you have job security) but it will fill your room with functional light.

NEED A HAND?

Contact us at service@bludot.com or **844.425.8368** for assistance.

Parts & Hardware



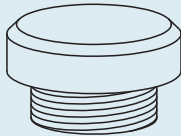
QTY 2

PT. 1225



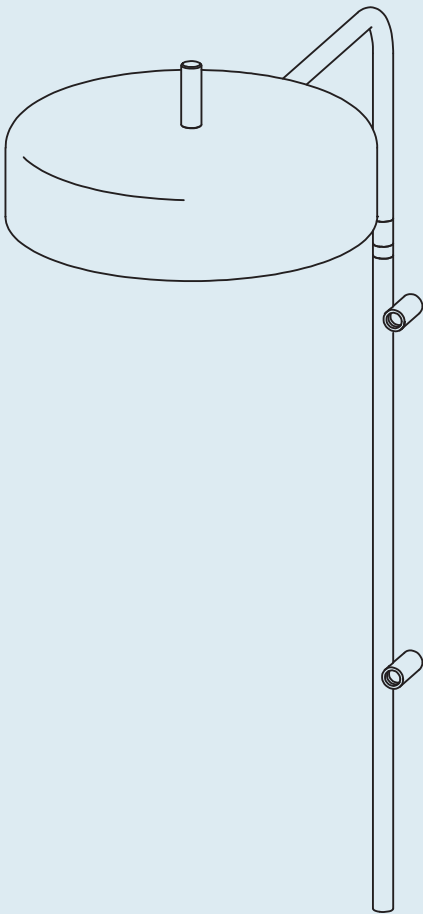
QTY 2

PT. 8052



QTY 2

Cap



QTY 1

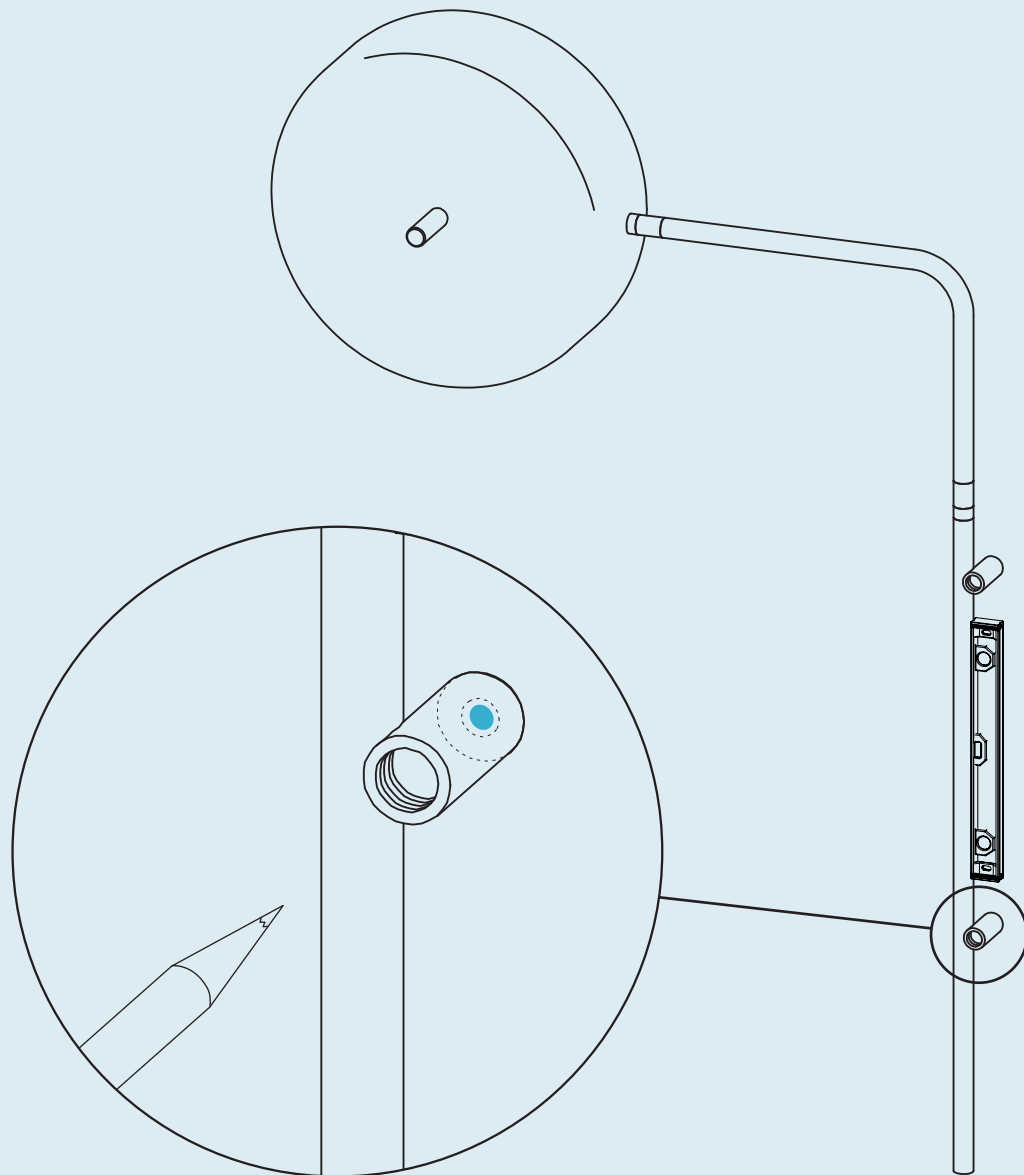
Sconce

Step 01

MARK MOUNTING LOCATIONS.

A second person is recommended for holding scone in place during assembly.

Place scone in the desired location and use a leveling device to ensure that the stem is plumb. Mark the final mounting locations with a pencil.



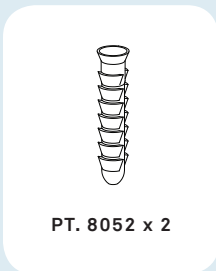
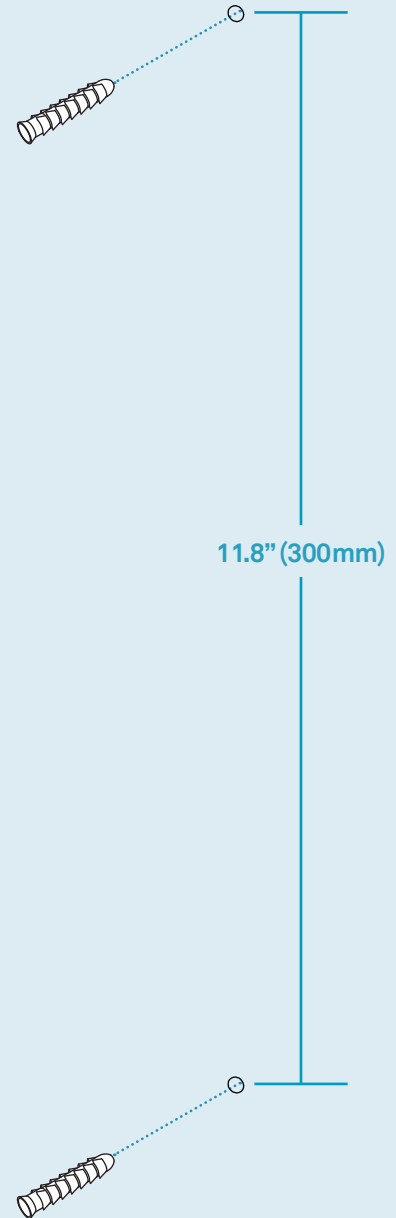
Step 02

INSTALL WALL ANCHORS.

Wall anchors and fasteners are included for installation into drywall. Please consult your local hardware professional to determine the hardware best suited for your wall type.

If the mounting locations are not positioned on a stud, drill **5/16"** holes in the marked locations. Insert wall anchors as shown.

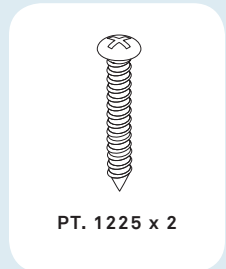
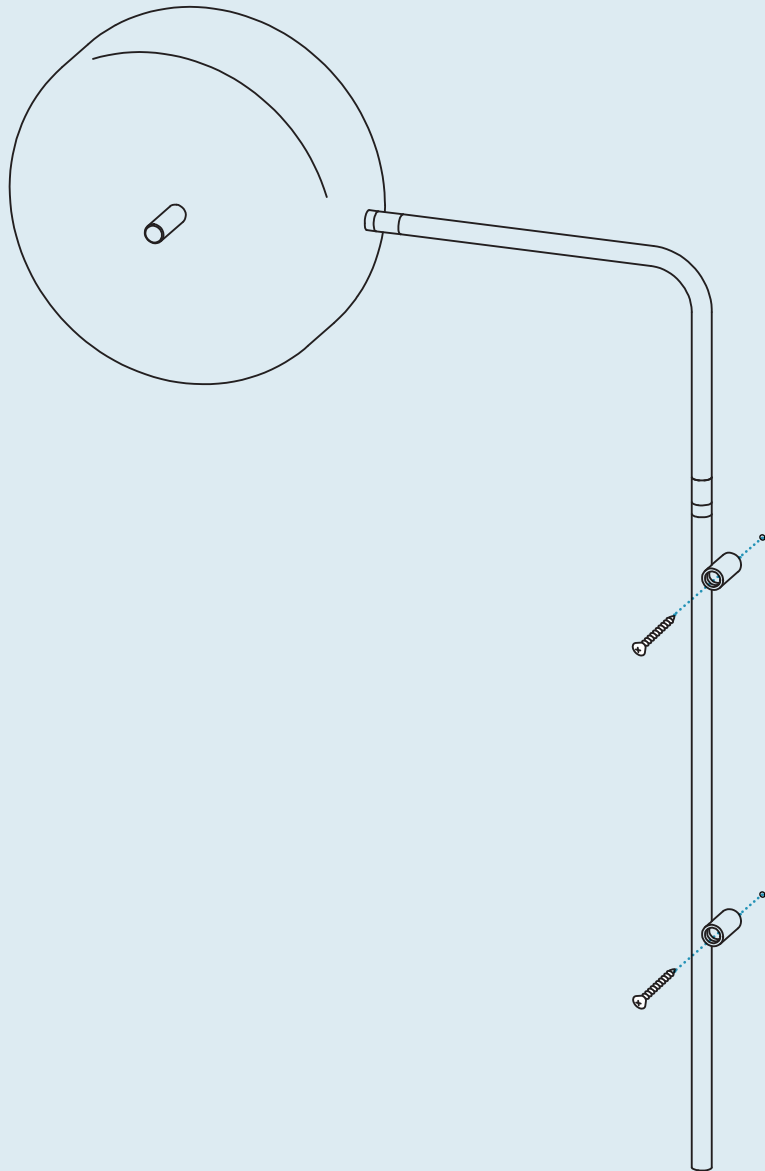
If the mounting locations are positioned on a stud, this step of installing wall anchors may be skipped. Instead, drill **7/64"** pilot holes in the marked positions.



Step 03

ATTACH SCONCE.

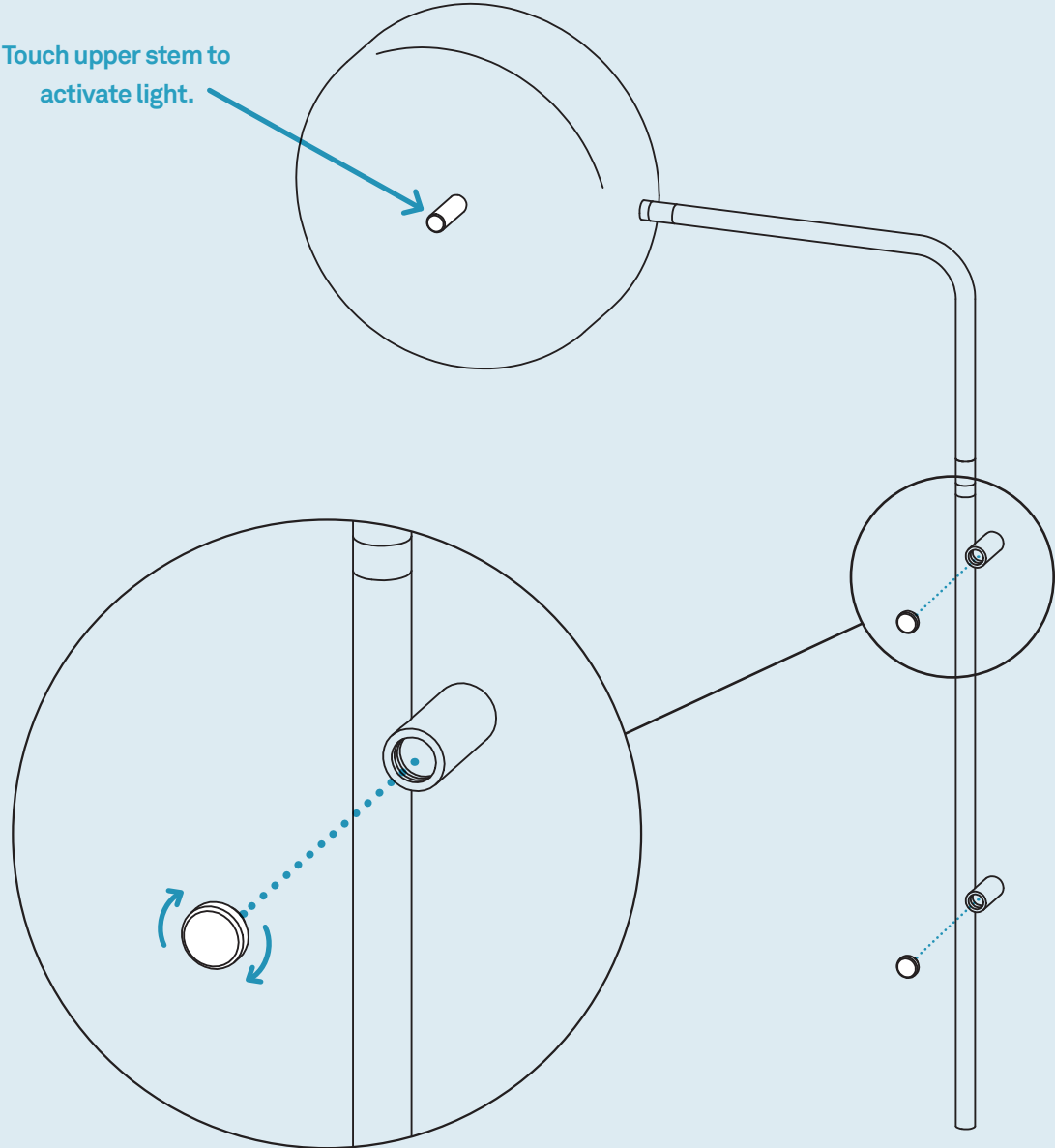
Position sconce in place with mounting locations aligned. Install fasteners as shown.



Step 04

INSTALL CAPS.

Thread caps onto the sconce mounting locations as shown.

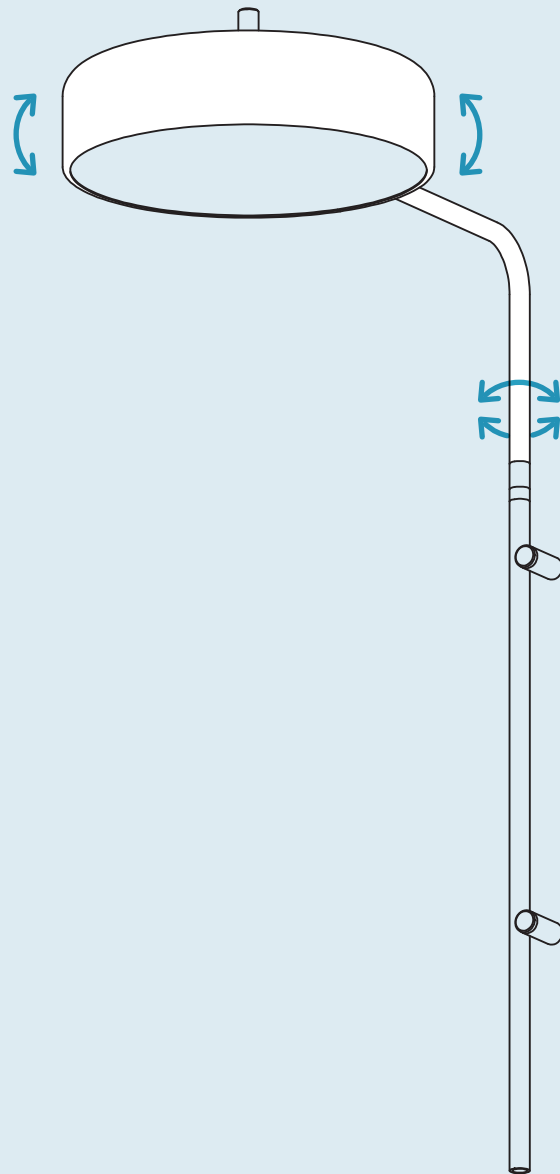


Step 05

REPOSITIONING THE LAMP HEAD.

Adjust the position of the lamp head by touching only the metal surfaces.

Caution: Pressing on the plastic lens while positioning the lamp head can damage the lens.



Additional Information

USE

This unit is meant for indoor use in dry locations only.

CLEAN

Clean powder-coated units with a soft cloth or sponge using a mild detergent, such as dish soap, and warm water. Wipe completely dry with a soft cloth.

REGULATORY

This device complies with part 15 of the FCC Rules. Operation is subject to the following two conditions: (1) This device may not cause harmful interference, and (2) this device must accept any interference received, including interference that may cause undesired operation. Caution: changes or modifications not expressly approved by the party responsible for compliance could void the user's authority to operate the equipment.

NOTE: This equipment has been tested and found to comply with the limits for a Class B digital device, pursuant to part 15 of the FCC Rules. These limits are designed to provide reasonable protection against harmful interference in a residential installation. This equipment generates, uses and can radiate radio frequency energy and, if not installed and used in accordance with the instructions, may cause harmful interference to radio communications. However, there is no guarantee that interference will not occur in a particular installation. If this equipment does cause harmful interference to radio or television reception, which can be determined by turning the equipment off and on, the user is encouraged to try to correct the interference by one or more of the following measures:

- Reorient or relocate the receiving antenna.
- Increase the separation between the equipment and receiver.
- Connect the equipment into an outlet on a circuit different from that to which the receiver is connected.
- Consult the dealer or an experienced radio/TV technician for help.

