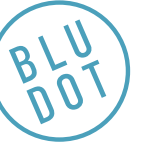


# Between Us Barstool

DESIGNED IN 2017

ASSEMBLY NOTES | REV 00



## Additional Information

### CLEAN

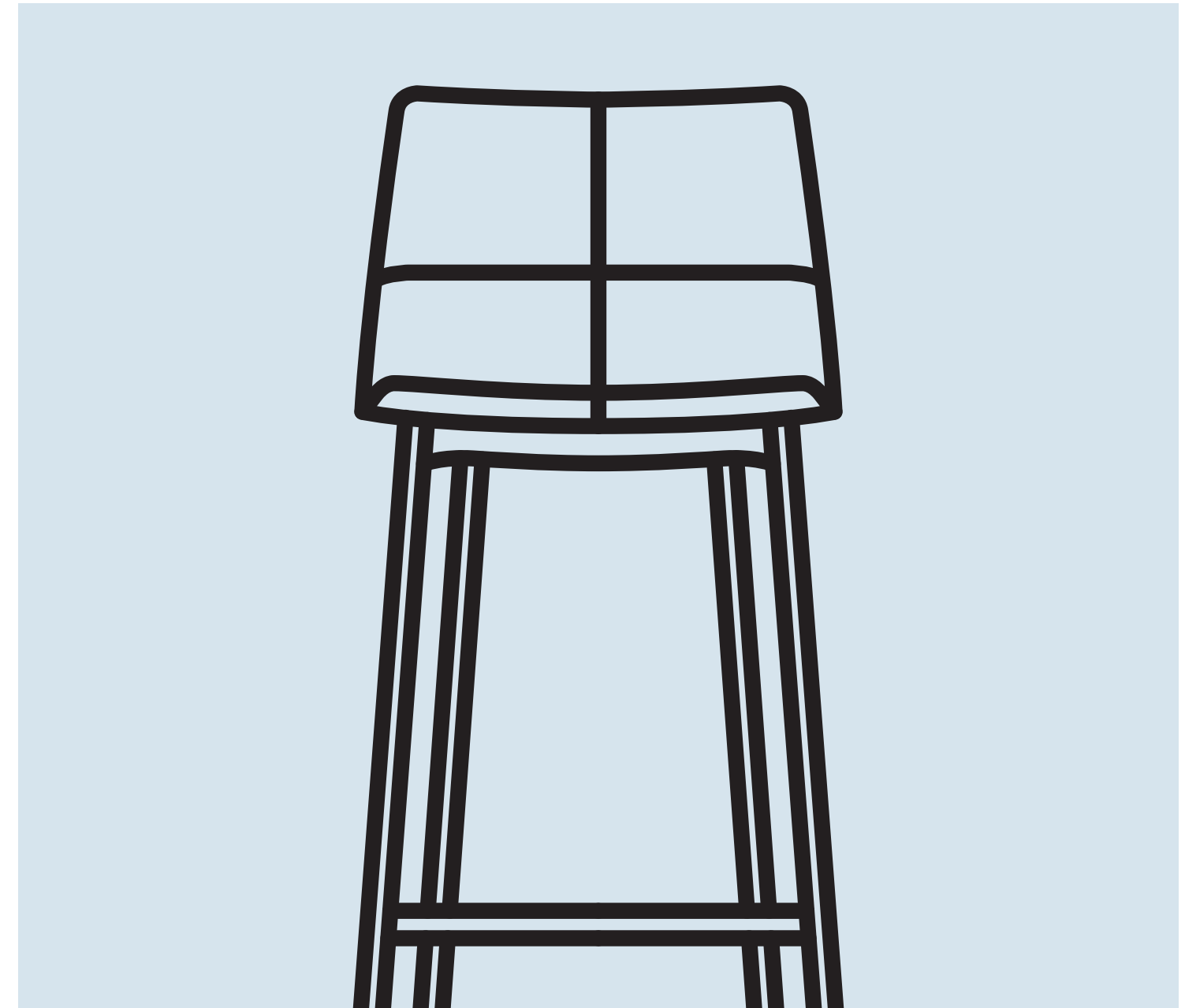
Vacuum your upholstery regularly. For leather furniture dust regularly with a dry cloth.

### SPILLS

Act quickly with spills. Absorb the spill with a clean white cloth or paper towel. Never rub the surface. Do not use water or other liquids to clean, as they may cause stains. Consult a commercial cleaning specialist for removal of stubborn stains.

### AVOID

Keep furniture out of direct sunlight and away from heat sources; excessive exposure to sunlight may cause color fading. Avoid placing heavy or sharp objects on the furniture surface for long periods of time; this can cause permanent surface indentations. For snags in the fabric, tuck loose threads into fabric or carefully push to reverse side. Never pull out or cut off loose threads.



### FRIEND WITH BENEFITS.

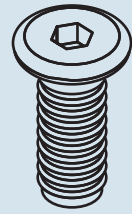
Rectangular steel legs bring a bit of edge and grid stitched upholstered seat and back lend texture and softness to this seating situation.

### NEED A HAND?

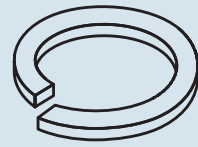
Contact us at [service@bludot.com](mailto:service@bludot.com) or **844.425.8368** for assistance.



# Parts & Hardware



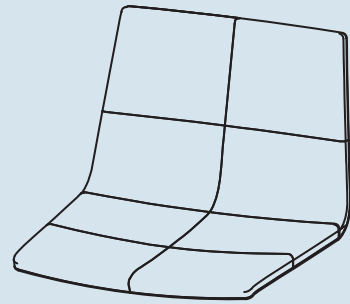
QTY 4  
PT. 1081



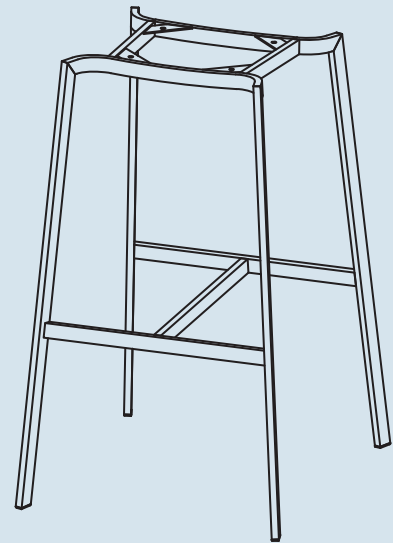
QTY 4  
PT. 3001



QTY 1  
PT. 9026



QTY 1  
Shell



QTY 1  
Base

# Step 01

ATTACH BASE TO SHELL.

Attach the base to the shell as shown using the provided hardware.

