

BLU
DOT

BENDER

TABLE LAMP

ASSEMBLY NOTES

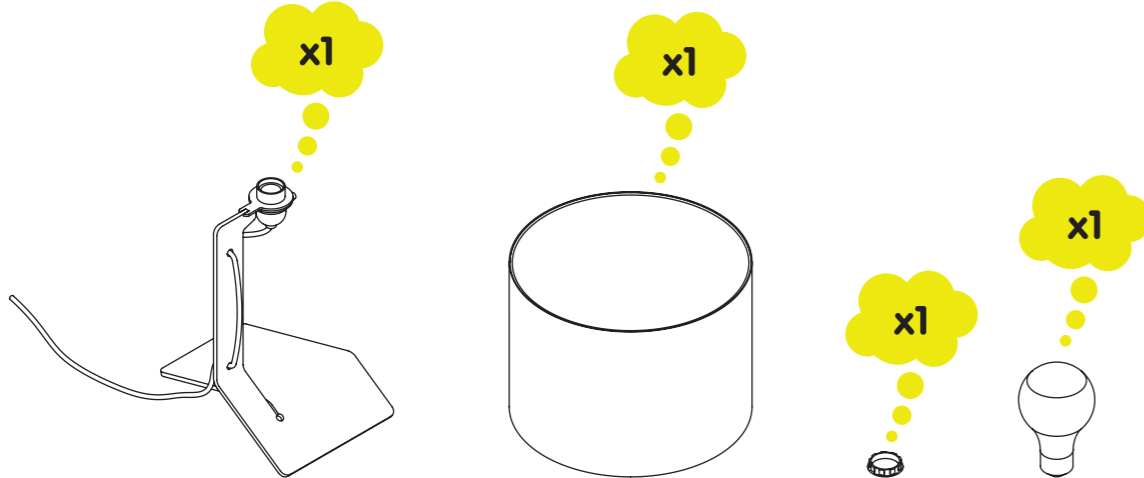
1, 2, AND YOU'RE
THROUGH!



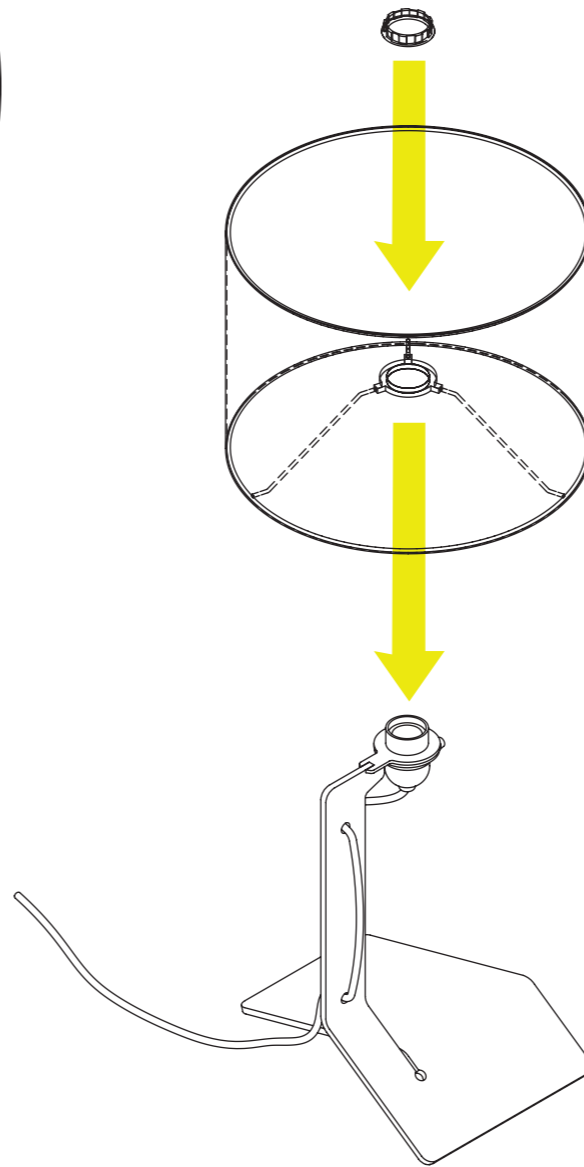
CARE

Clean with a soft cloth or sponge using a mild detergent, such as dish soap, and warm water. Wipe completely dry with a soft cloth.

PARTS



1



2

BULB

Maximum
100 watt incandescent
or 23 watt CFL

