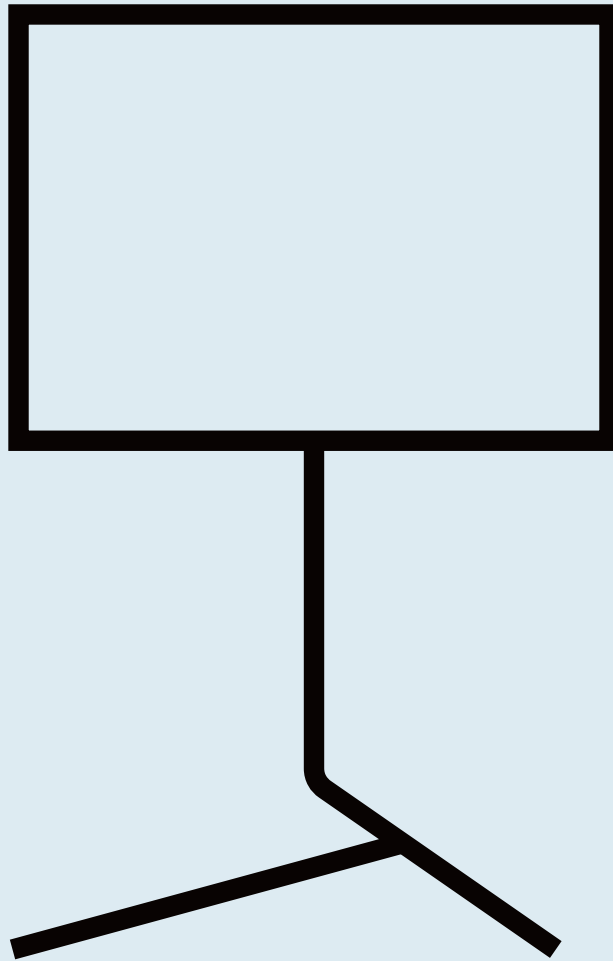


Bender Table Lamp



DESIGNED IN 2011

ASSEMBLY NOTES | REV 00



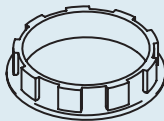
NEED A HAND?

Contact us at service@bludot.com or **844.425.8368** for assistance.

@BLUDOT

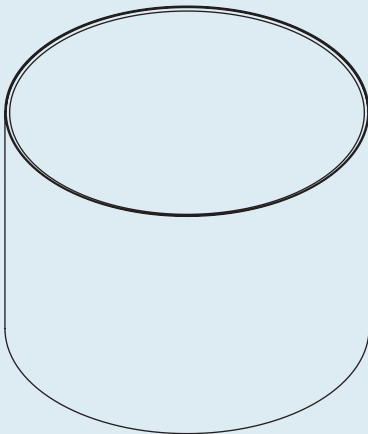
We design all our pieces in our Minneapolis studio. Follow along on Instagram for some sneak peeks into the process.

Parts & Hardware



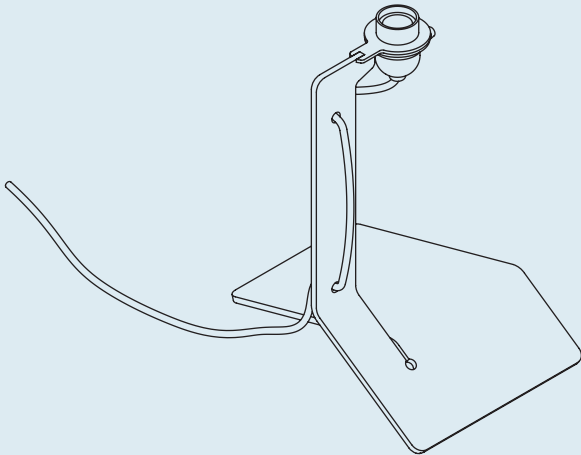
QTY _____ 1

Collar



QTY _____ 1

Shade



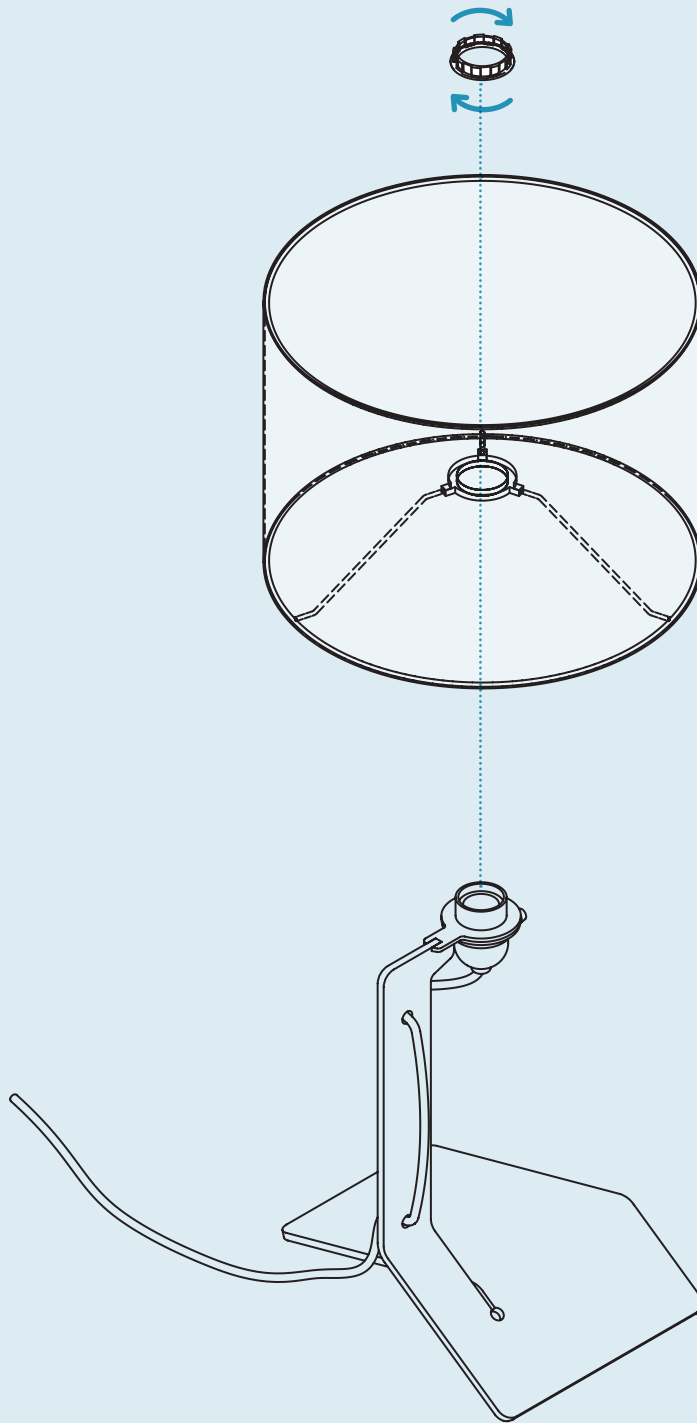
QTY _____ 1

Base

Step 01

ATTACH SHADE.

Attach the shade by threading the collar into place as shown.

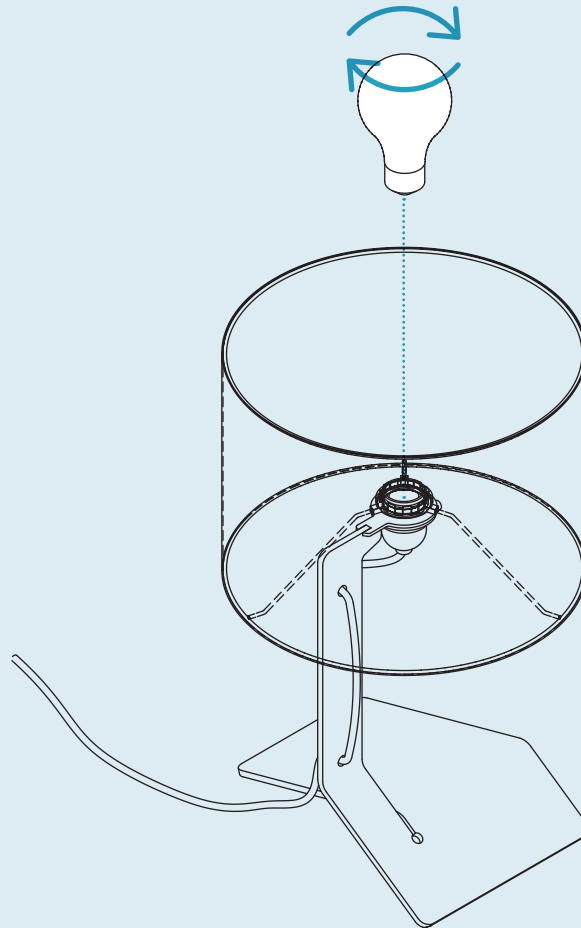


Step 02

INSTALL BULB.

Install provided bulb by threading it into place into the socket as shown.

Turn the socket knob to turn the lamp on/off.



Additional Information

NOTE

This lamp uses an E26 bulb with a maximum wattage of 100W or an equivalent CFL or LED bulb.

CLEAN

Unplug lamp prior to cleaning. Clean with a slightly damp, soft cloth. To remove dirt and fingerprints, use a quality cleaner formulated for metal furniture. Wipe completely dry with a soft cloth.

