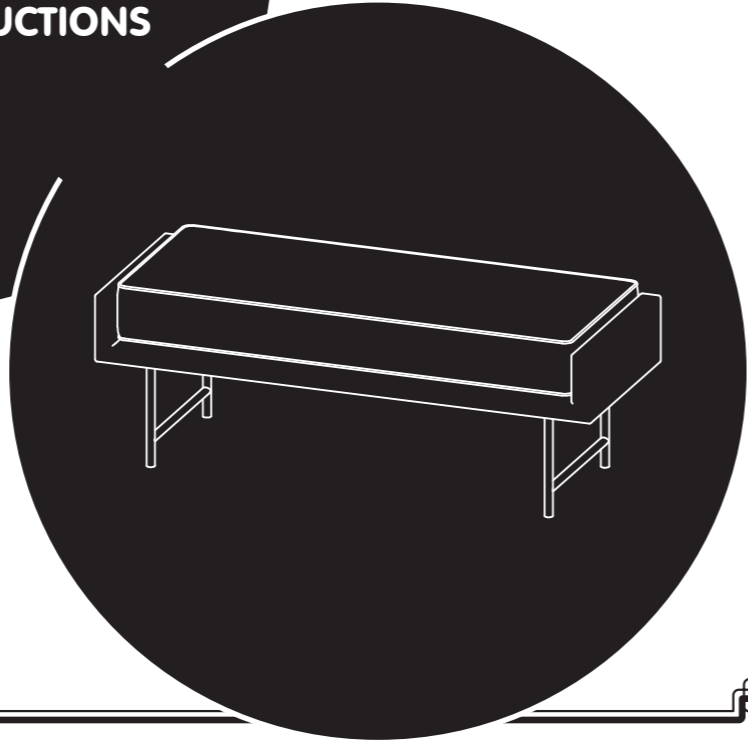
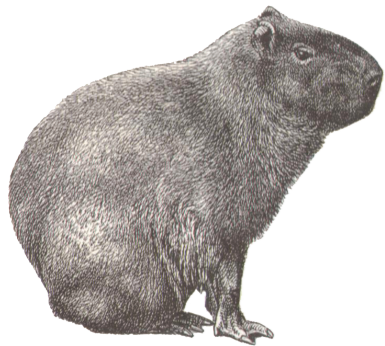


BLU
DOT

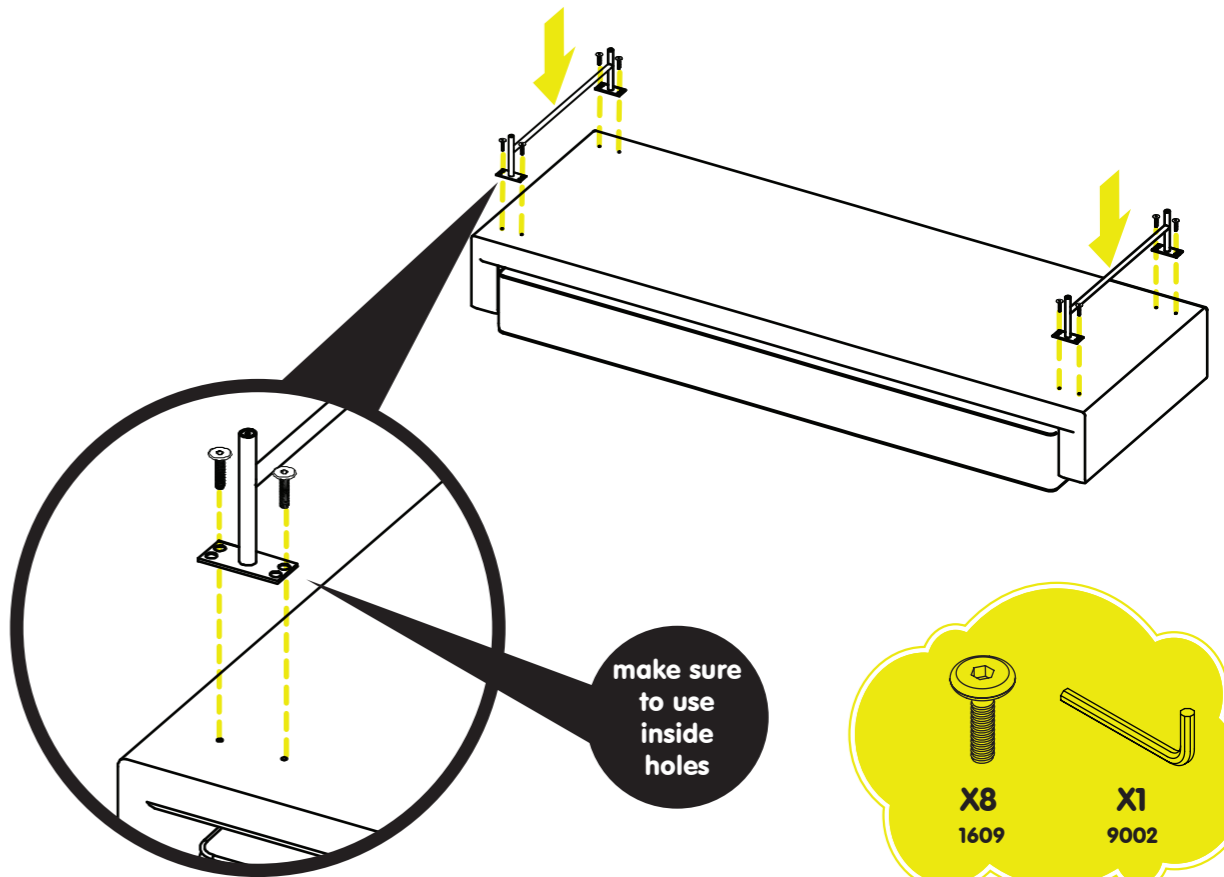
BANK BENCH

ASSEMBLY INSTRUCTIONS

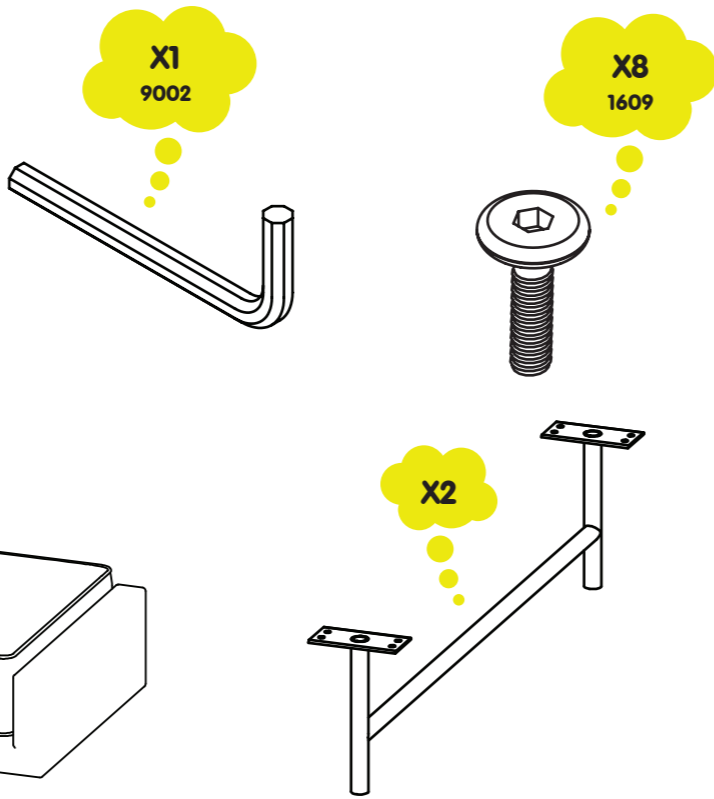
SO EASY AND SO COMFY.



1
locate threaded inserts on the bottom of bench and attach legs using bolts.



PARTS & HARDWARE



CLEAN
Vacuum your upholstery regularly.

AVOID
Keep upholstery out of direct sunlight and away from heat sources; excessive exposure to sunlight will fade the color of the upholstery. Avoid placing heavy or sharp objects on the furniture surface for long periods of time; this can cause permanent indentations in the fabric. For snags in the fabric, tuck loose threads into fabric or carefully push to reverse side. Never pull out or cut off loose threads.

SPILLS
Act quickly with spills. Absorb the spill with a clean white cloth or paper towel. Never rub the surface. Spot clean with dry cleaning fluid. Do not use water or other liquids to clean, as they may stain the fabric. Consult a commercial cleaning specialist for removal of stubborn stains.