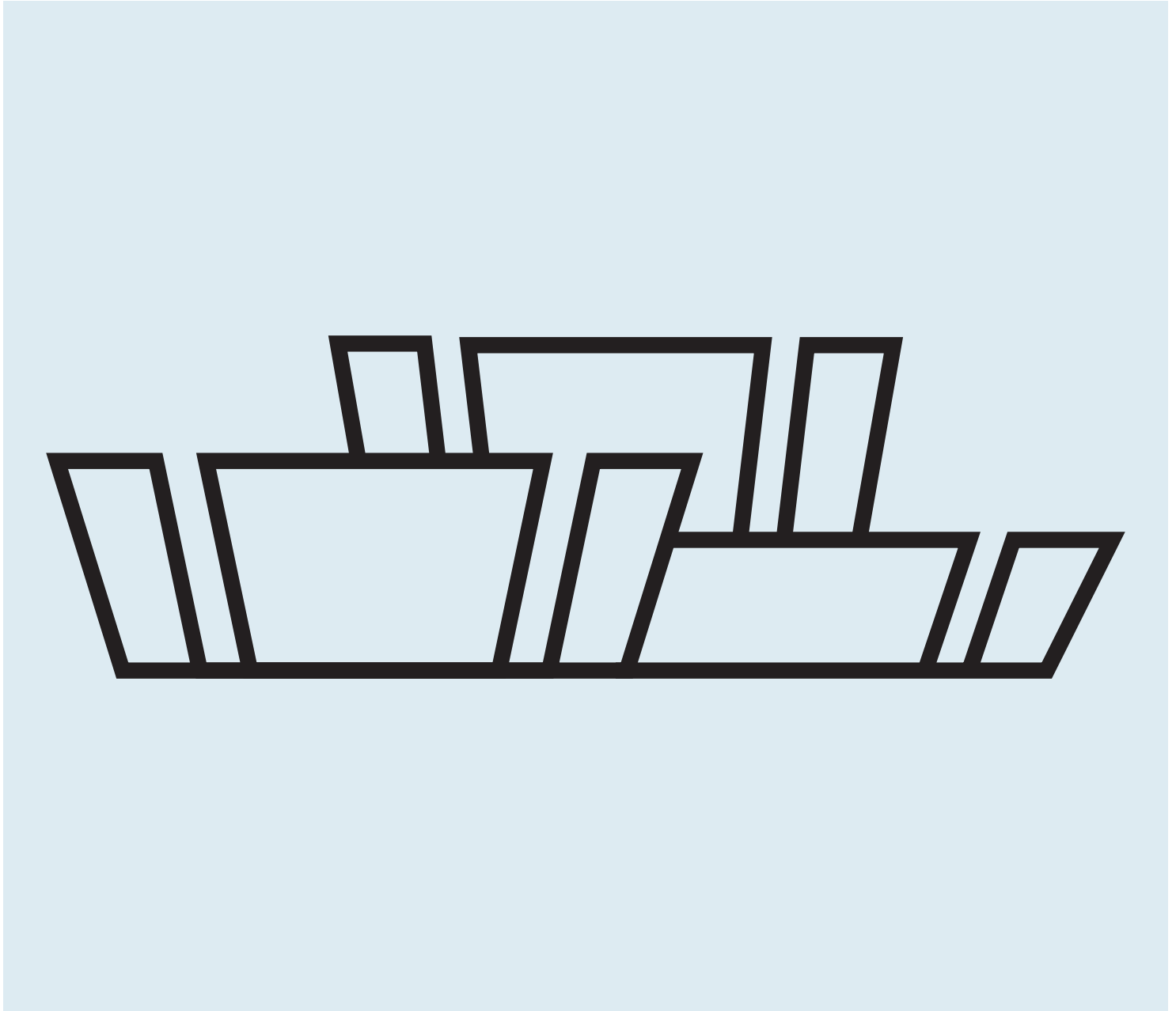


# 2D:3D Bowl

DESIGNED IN 2015

ASSEMBLY NOTES | REV 00



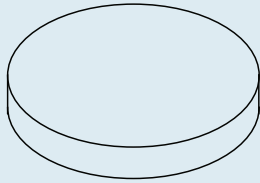
NEED A HAND?

Contact us at [service@bludot.com](mailto:service@bludot.com) or  
**844.425.8368** for assistance.

@BLUDOT

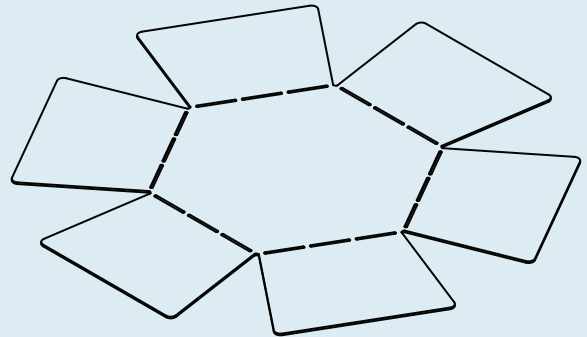
We design all our pieces in our Minneapolis studio. Follow  
along on Instagram for some sneak peeks into the process.

# Parts & Hardware



QTY \_\_\_\_\_ 6

Foot



QTY \_\_\_\_\_ 1

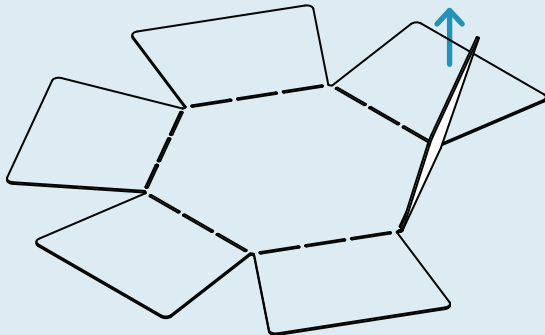
Bowl

## Step 01

**BEND FLAP UP.**

Bend first flap less than 90° as shown.

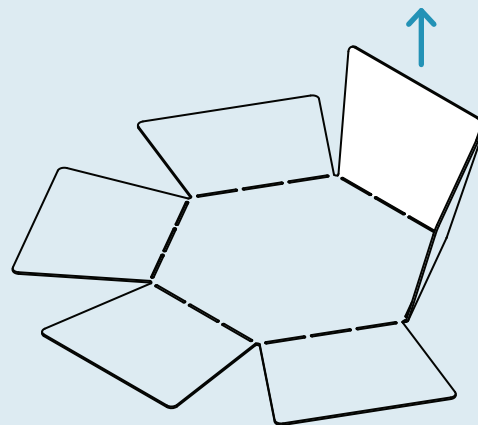
**NOTE:** due to the nature of the material, repeated bending and flattening may cause the flaps to break at the bending points. Please bend carefully.



## Step 02

**BEND FLAP UP.**

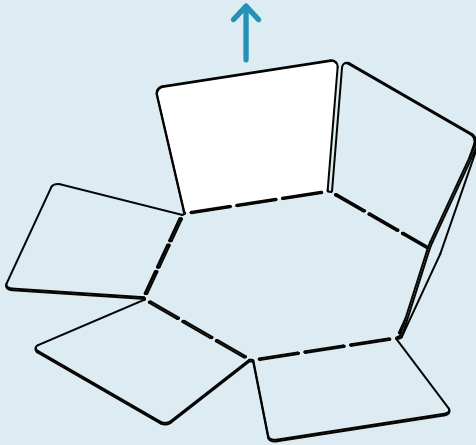
Bend second flap less than 90° as shown and adjust bends until gaps between flaps are even.



## Step 03

BEND FLAP UP.

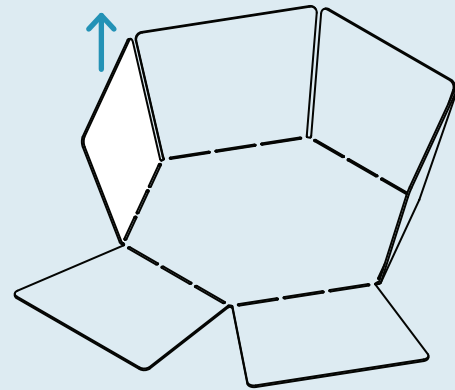
Bend third flap less than 90° as shown and adjust bends until gaps between flaps are even.



## Step 04

BEND FLAP UP.

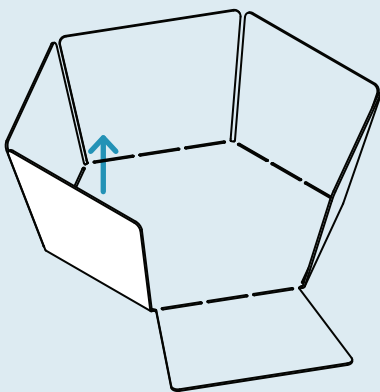
Bend fourth flap less than 90° as shown and adjust bends until gaps between flaps are even.



## Step 05

BEND FLAP UP.

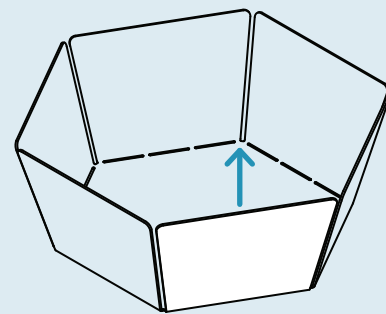
Bend fifth flap less than 90° as shown and adjust bends until gaps between flaps are even.



## Step 06

BEND FLAP UP.

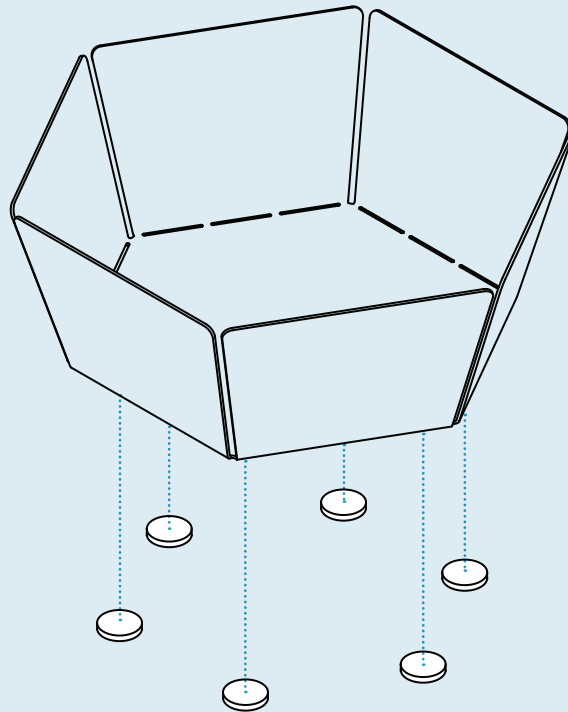
Bend last flap less than 90° as shown and adjust bends until gaps between flaps are even.



## Step 07

### ATTACH CORK FEET.

Attach cork feet to the bottom of the bowl as shown to complete assembly.



## Additional Information

### CLEAN

Clean with a soft cloth or sponge using a mild detergent, such as dish soap, and warm water. Wipe completely dry with a soft cloth.

### NOTE

The copper finish will be bright when new, and will naturally darken and patina with handling and age.

