



Measure twice. Deliver once.

Follow this nifty guide to ensure that your new furniture makes it to its new home without a hitch.

STEP 1

DIMENSIONS

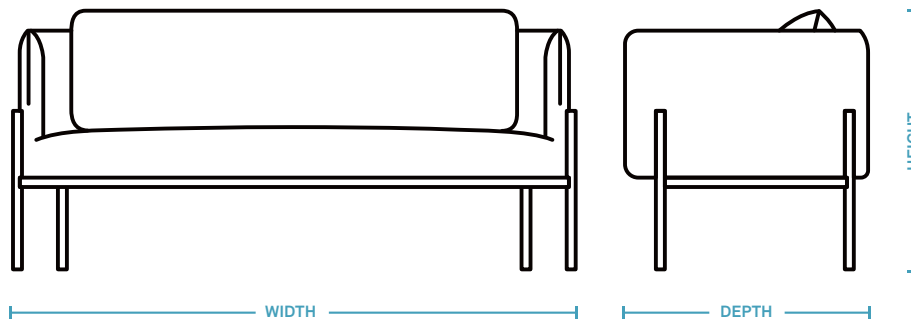
The width, depth and height of each Blu Dot design (including any angles, curves, arms, or overhangs) are noted on our website's product page. This is also where you can find assembly and care instructions.

Write down the measurements here for easy reference.

WIDTH

DEPTH

HEIGHT



STEP 2

PLACEMENT

After you identify where you intend to place your new furniture, use the dimensions gathered above to ensure that it will fit in the space. We recommend marking out the width and depth on the floor using painter's tape while also taking into account any potential obstructions to the height (window sills, wainscoting, power outlets, etc).

WIDTH

DEPTH

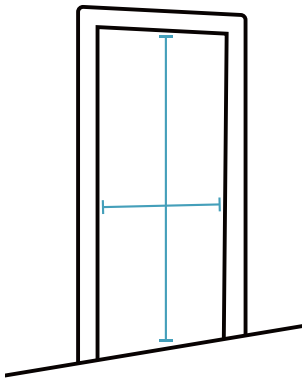
HEIGHT

STEP 3

PATHWAY

Follow the route from outside your home to where your furniture will be placed while taking note of any potential obstructions or areas of difficulty. Doorways, elevators, staircases, and hallways that the item will pass through need to be measured vertically and horizontally to ensure that they are wider than the furniture and that it will be able to pass. With elevators it is critical to measure the interior height, interior width and width of opening, as well as the available

space at the elevator landing. It is also important to measure entry clearances—the distance between the doorway and the opposite wall—in case the furniture needs to turn a corner. Compare these measurements to the dimensions of your new furniture to ensure that the route is navigable. It is your responsibility to ensure that the furniture will make it to its desired position of placement.

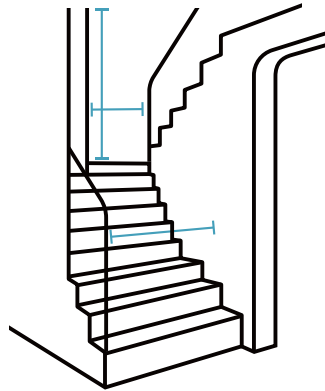


DOORWAYS

- Measure the interior dimensions of all doorways.
- Consider potential obstructions like knobs and hinges.
- Check for any architectural details that may impede access.

DOORWAY 1

DOORWAY 2

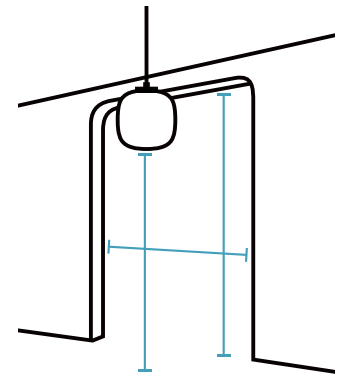


STAIRWAYS

- Measure the width of your stairway, including handrails and posts.
- Measure the height from the top step and bottom step to the ceiling.
- Make sure the item can fit on and around landings.

STAIRWAY 1

STAIRWAY 2



HALLWAYS

- Measure the interior dimensions of hallways.
- In the case of an opening, measure the distance to the opposite wall.
- Check for any architectural details and low-hanging fixtures that may impede access.

HALLWAY 1

HALLWAY 2

DELIVERY

Blu Dot currently offers four modes of delivery based on the size of the item you order, your location, and the service you choose to select. FedEx delivery is available for accessories and smaller furniture. For larger items you must choose from Basic Freight, Threshold, and In-Home Delivery + Assembly options. We recommend visiting bludot.com/shipping to understand the differences between these levels of service. In all instances it is important to inspect your new item for damage or defects as soon as it is in place and Contact us at service@bludot.com or [844.425.8368](tel:844.425.8368) as soon as possible should you identify an issue.

SCHEDULING

Our delivery partners will contact you to schedule a delivery appointment, with a 4-hour window, between 8 am and 5 pm Monday–Friday. This is the appropriate time to notify them of any potential obstructions, difficult to navigate scenarios, or other potential hiccup points such as gated entry access, steep driveways, or if your building requires a Certificate of Insurance (COI) for deliveries.

Please note, in-home orders requiring delivery beyond two flights of ten stairs, or requiring multiple elevator stops, will be subject to additional charges.

More details and policies can be found at bludot.com/shipping.



QUESTIONS? CALL CUSTOMER SERVICE AT 844.425.8368